



RoHS & Halogen Free & REACH Compliance.

SPECIFICATION FOR APPROVAL

Customer : 深圳市福伯特电子有限公司

Customer P/N:

Drawing No :

Quantity : 0 **Pcs.** **Date :** 2018/01/15

Chilisin P/N : LS0603-2R2J-N

SPECIFICATION ACCEPTED BY:	
COMPONENT ENGINEER	
ELECTRICAL ENGINEER	
MECHANICAL ENGINEER	
APPROVED	
REJECTED	

注意事項

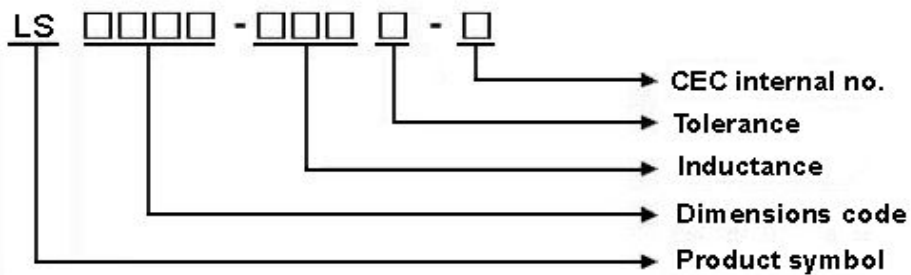
此產品屬於工業級標準品，非車規產品！不能使用汽車配件中，若客戶未明確告知而私自使用到汽車配件中，產生任何後果，原廠不予負責售後服務，謝謝！

Drawn by bingzhi.huang	Checked by jingying.zhang	Approved by steven
----------------------------------	-------------------------------------	------------------------------

LS0603 Series Specification

1 Scope: This specification applies to Wire Wound Ferrite Chip Inductors

2 Part Numbering:

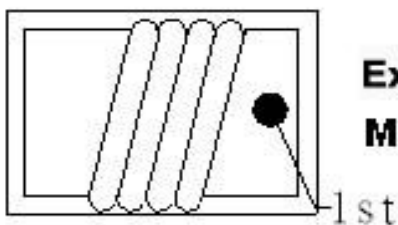


3 Rating:

Operating Temperature: $-25^{\circ}\text{C} \sim 105^{\circ}\text{C}$ (Including self - temperature rise)

Storage Temperature: $20^{\circ}\text{C} \sim 25^{\circ}\text{C}$ R.H. 65% (In Tape & Reel Condition)

4 Marking:



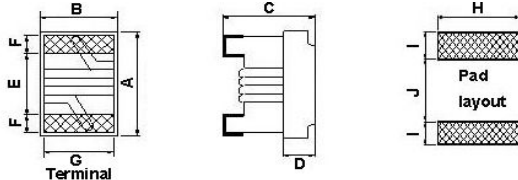
Ex : LS0603-1R0J-N
Marking: 1st → Blue

5 Standard Testing Condition

	Unless otherwise specified	In case of doubt
Temperature	Ordinary Temperature(15 to 35°C)	20 to 30°C
Humidity	Ordinary Humidity(25 to 85% RH)	50 to 80 %RH

LS0603 Series Specification

6 Configuration and Dimensions:



Dimensions in mm

TYPE	A	B	C	D	E	F	G	H	I	J
LS0603	1.6 ^{+0.2} _{-0.1}	1.1±0.1	0.9 ^{+0.2} _{-0.1}	0.38	0.86	0.33	0.76	1.02	0.64	0.64

7 Electrical Characteristics:

Part No.	Inductance (uH)	L/Q Test		Q Typ.	SRF MHz)Mir	RDC (Ω)Max.	IDC (mA)	Tolerance (±%)	Color Code 1st
		Freq. (MHz)							
LS0603-47N□-N	0.047	7.9/7.9		17	1700	0.075	1500	5,10	BLK
LS0603-72N□-N	0.072	7.9/7.9		17	1700	0.12	1500	5,10	BRN
LS0603-R10□-N	0.1	7.9/7.9		17	1650	0.13	1500	5,10	RED
LS0603-R12□-N	0.12	7.9/7.9		17	1350	0.15	1500	5,10	ORN
LS0603-R15□-N	0.15	7.9/7.9		17	1350	0.15	1450	5,10	YEL
LS0603-R18□-N	0.18	7.9/7.9		17	1150	0.15	1400	5,10	GRN
LS0603-R22□-N	0.22	7.9/7.9		17	1050	0.16	1350	5,10	BLU
LS0603-R24□-N	0.24	7.9/7.9		17	1050	0.19	1300	5,10	VIO
LS0603-R27□-N	0.27	7.9/7.9		17	1050	0.3	1050	5,10	GRY
LS0603-R33□-N	0.33	7.9/7.9		17	850	0.46	1200	5,10	WHT
LS0603-R39□-N	0.39	7.9/7.9		17	810	0.51	1200	5,10	BLK
LS0603-R47□-N	0.47	7.9/7.9		17	720	0.62	1050	5,10	BRN
LS0603-R56□-N	0.56	7.9/7.9		17	600	0.44	850	5,10	RED
LS0603-R68□-N	0.68	7.9/7.9		17	600	0.52	850	5,10	ORN
LS0603-R78□-N	0.78	7.9/7.9		17	460	0.83	850	5,10	YEL
LS0603-R82□-N	0.82	7.9/7.9		17	480	0.69	750	5,10	GRN
LS0603-R91□-N	0.91	7.9/7.9		17	330	0.76	670	5,10	BLK
LS0603-1R0□-N	1	7.9/7.9		18	310	0.81	600	5,10	BLU
LS0603-1R2□-N	1.2	7.9/7.9		17	270	0.87	550	5,10	VIO
LS0603-1R5□-N	1.5	7.9/7.9		17	270	1.06	540	5,10	GRY
LS0603-1R8□-N	1.8	7.9/7.9		17	230	1.1	520	5,10	WHT
LS0603-2R2□-N	2.2	7.9/7.9		17	140	1.2	500	5,10	BLK
LS0603-2R7□-N	2.7	7.9/7.9		17	105	1.5	480	5,10	BRN
LS0603-3R3□-N	3.3	7.9/7.9		17	84	1.5	440	5,10	RED
LS0603-3R9□-N	3.9	7.9/7.9		17	80	1.6	430	5,10	ORN

NOTE: □-tolerance J=±5% / K=±10%

1. Operating temperature range - 25 °C ~ 105 °C (Including self - temperature rise)

2. L/Q Test OSC @200mV.

3. IDC for Inductance drop 10% from its value without current.

"-N" FOR COMPLETELY LEAD FREE TYPE (INCLUDING FERRITE BODY & SOLDER)



ISO9001 & ISO14001 & TS16949 CHILISIN ELECTRONICS CORP.

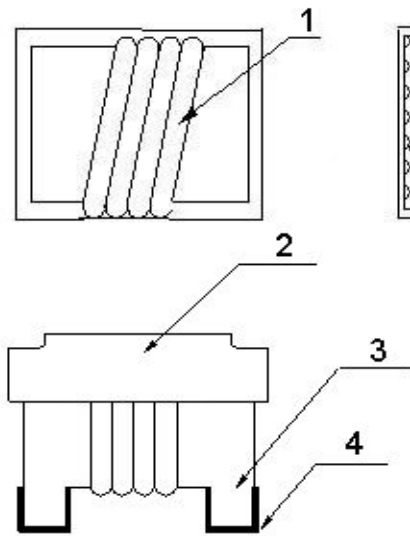
LS0603 Series Specification

Part No.	Inductance (uH)	L/Q Test		Q Typ.	SRF MHz)Mir	RDC (Ω)Max.	IDC (mA)	Tolerance (±%)	Color Code 1st
		Freq. (MHz)							
LS0603-4R7□-N	4.7	7.9/7.9		18	69	2.1	420	5,10	YEL
LS0603-5R6□-N	5.6	7.9/7.9		18	65	2.6	400	5,10	GRN
LS0603-6R8□-N	6.8	7.9/7.9		19	55	3.1	400	5,10	BLU
LS0603-7R8□-N	7.8	7.9/7.9		17	47	3.5	400	5,10	VIO
LS0603-8R2□-N	8.2	7.9/7.9		17	42	3.8	400	5,10	GRY
LS0603-100□-N	10	7.9/7.9		19	40	4.8	300	5,10	WHT

LS0603 Series Specification

8 LS0603 Series

8.1 Construction:



8.2 Material List:

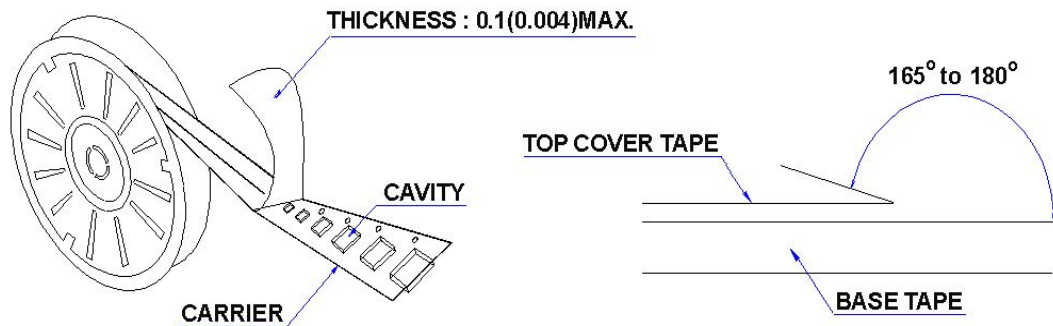
No	Part	Material
1	WIRE	Grade 180
2	EPOXY	UV GLUE
3	CORE	FERRITE
4	TERMINAL	Ag/Cu/Ni/Sn

LS0603 Series Specification

9 Packaging:

9.1 Packaging -Cover Tape

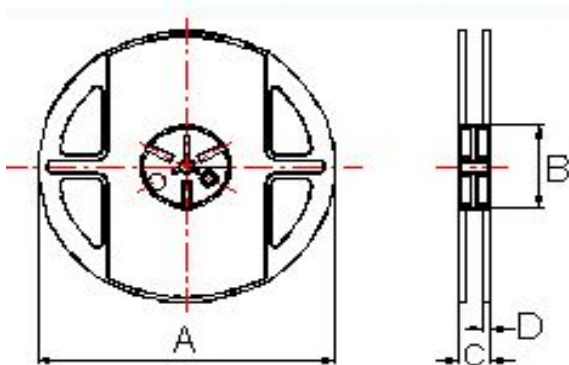
The force for tearing off cover tape is 10 to 100 grams in the arrow direction.



9.2 Packaging Quantity

TYPE	PCS/REEL
LS0402	4000
LS0603	4000
LS0805	2000
LS1008	2000

9.3 Reel Dimensions



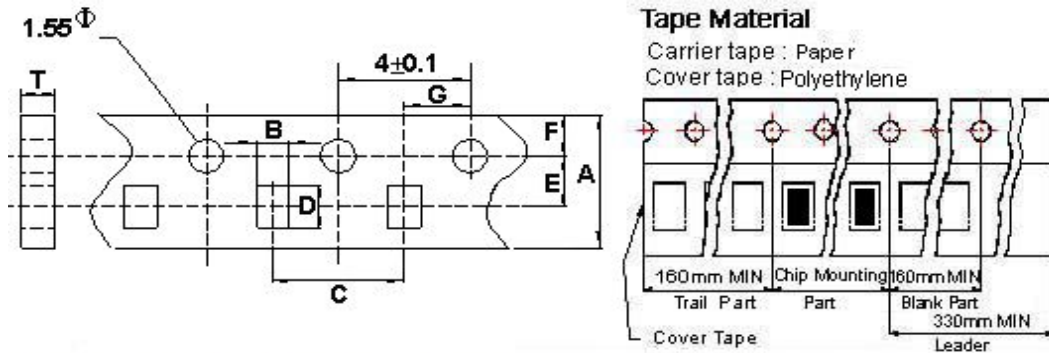
Reel Dimensions : m/m

TYPE	A	B	C	D
LS0402	178	60	12	1.5
LS0603	178	60	12	1.5
LS0805	178	60	12	1.5
LS1008	178	60	12	1.5

LS0603 Series Specification

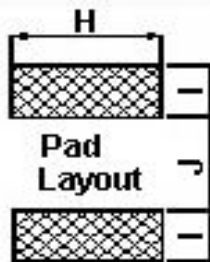
9 Packaging:

9.4 Tape Dimensions in mm



TYPE	A	B	C	D	E	F	G	T
LS0603	8.0	1.25	4	1.9	3.5	1.75	2	1.05

10 Recommended Land Pattern:



Dimensions in mm

TYPE	H(in/mm)	I(in/mm)	J(in/mm)
LS0402	0.025/0.65	0.014/0.38	0.017/0.44
LS0603	0.04/1.02	0.025/0.64	0.025/0.64
LS0805	0.07/1.78	0.04/1.02	0.03/0.76
LS1008	0.1/2.54	0.04/1.02	0.05/1.27

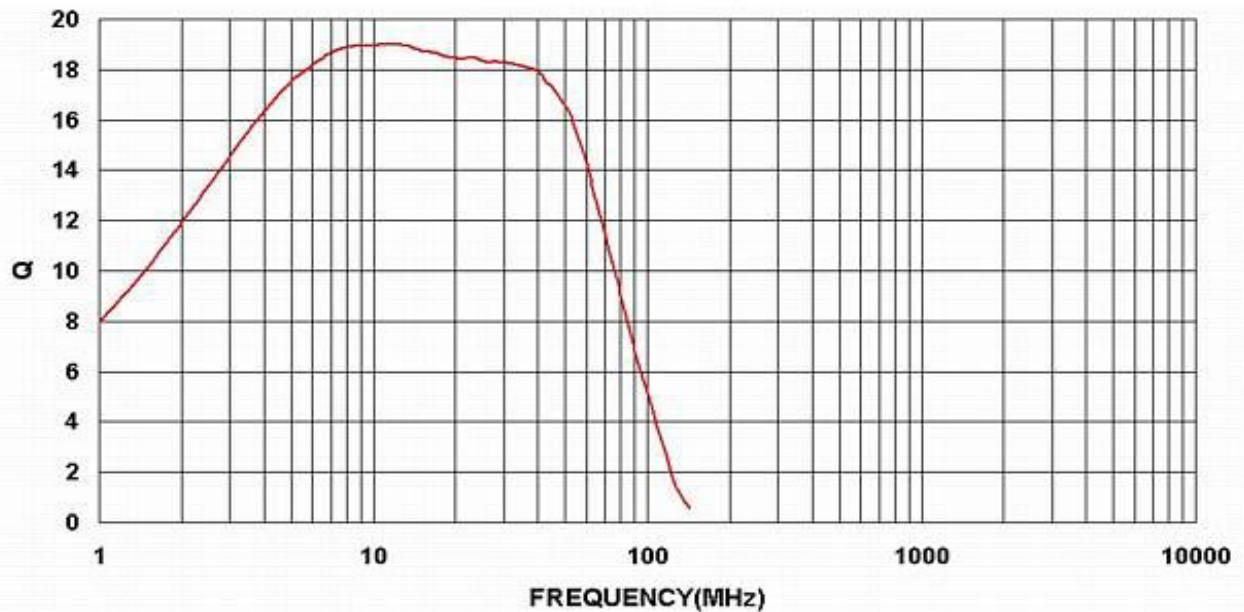
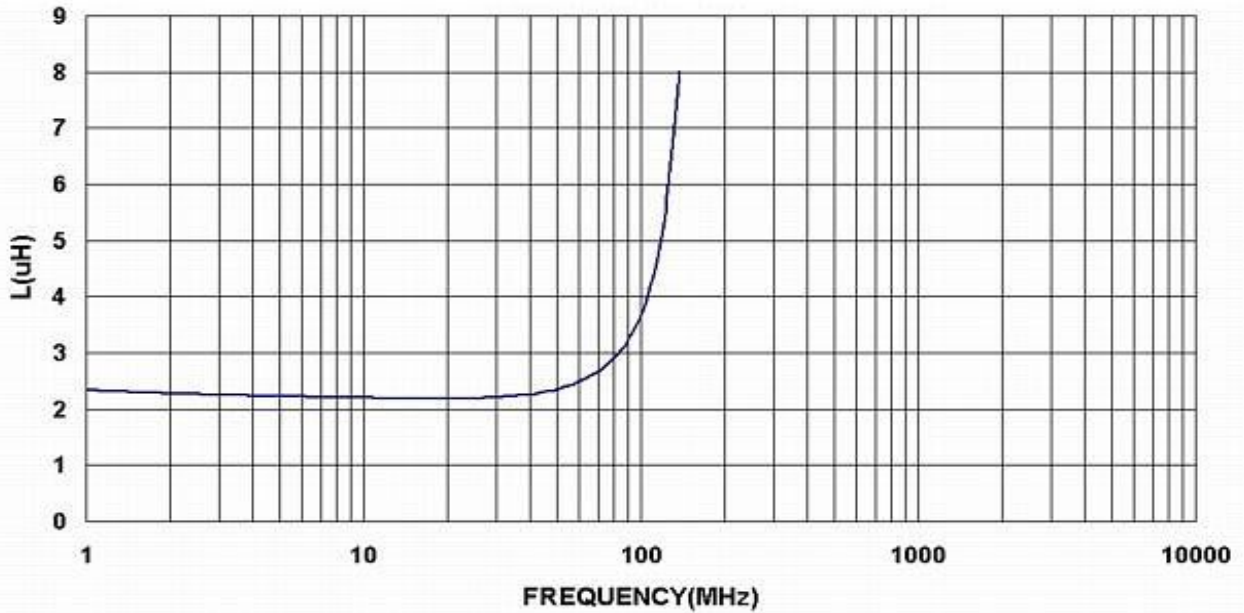
11 Note:

1. Please make sure that your product has been evaluated and confirmed against your specifications when our product is mounted to your product.
2. Do not knock nor drop.
3. All the items and parameters in this product specification have been prescribed on the premise that our product is used for the purpose, under the condition and in the environment agreed upon between you and us. You are requested not to use our product deviating from such agreement.
4. Please keep the distance between transformer/coil and other components (refer to the standard IEC 950)
5. The moisture sensitivity level (MSL) of products is classified as level 1.



LS0603 Series Specification

12 Graph: LS0603-2R2J-N



X-ON Electronics

Largest Supplier of Electrical and Electronic Components

Click to view similar products for [Fixed Inductors](#) category:

Click to view products by [Chilisin](#) manufacturer:

Other Similar products are found below :

[CR43NP-680KC](#) [CR54NP-470LC](#) [CR54NP-820KC](#) [CR54NP-8R5MC](#) [70F224AI](#) [MGDQ4-00004-P](#) [MHL1ECTTP18NJ](#) [MHQ1005P10NJ](#)
[MHQ1005P1N0S](#) [MHQ1005P2N4S](#) [MHQ1005P3N6S](#) [MHQ1005P5N1S](#) [MHQ1005P8N2J](#) [PE-51506NL](#) [PE-53601NL](#) [PE-53602NL](#) [PE-53630NL](#) [PE-53824SNLT](#) [PE-92100NL](#) [PG0434.801NLT](#) [PG0936.113NLT](#) [9220-20](#) [9310-16](#) [PM06-2N7](#) [PM06-39NJ](#) [A01TK](#) [1206CS-471XJ](#) [HC2LP-R47-R](#) [HC2-R47-R](#) [HC3-2R2-R](#) [HC3-R50-R](#) [HC8-1R2-R](#) [HCF1305-3R3-R](#) [1206CS-151XG](#) [RCH664NP-140L](#) [RCH664NP-4R7M](#) [RCH8011NP-221L](#) [RCP1317NP-332L](#) [RCP1317NP-391L](#) [RCR1010NP-470M](#) [RCR110DNP-331L](#) [DH2280-4R7M](#) [DS1608C-106](#)
[ASPI-4020HI-R10M-T](#) [B10TJ](#) [B82498B3680J000](#) [ELJ-RE27NJF2](#) [1812CS-153XJ](#) [1812CS-183XJ](#) [1812CS-223XJ](#)