



Form No.: QF-1274
Edition: 2

ISO9001 & ISO14001 & TS16949 **CHILISIN ELECTRONICS CORP.**

RoHS & Halogen Free & REACH Compliance.

SPECIFICATION FOR APPROVAL

Customer : _____

Customer P/N: _____

Drawing No : _____

Quantity : 0 Pcs. Date : 2019/07/30

Chilisin P/N : LVF404030-Series

SPECIFICATION ACCEPTED BY:	
COMPONENT ENGINEER	
ELECTRICAL ENGINEER	
MECHANICAL ENGINEER	
APPROVED	
REJECTED	

注意事項

此產品屬於工業級標準品，非車規產品！不能使用汽車配件中，若客戶未明確告知而私自使用到汽車配件中，產生任何後果，原廠不予負責售後服務，謝謝！

Drawn by
bingzhi.huang

Checked by
bingzhi.huang

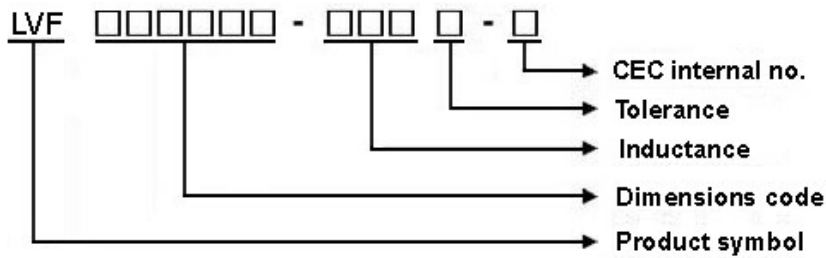
Approved by
steven

YG17600392

LVF404030 Series Specification

1 Scope: This specification applies to Wire Wound Power Inductors

2 Part Numbering:

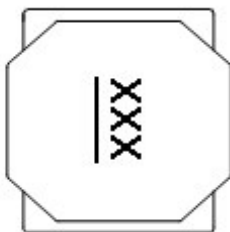


3 Rating:

Operating Temperature: $-5.5^{\circ}\text{C} \sim 125^{\circ}\text{C}$ (Including self - temperature rise)

Storage Temperature: $20^{\circ}\text{C} \sim 25^{\circ}\text{C}$ R.H. 65% (In Tape & Reel Condition)

4 Marking:



EX: LVF404030-100M-N

Marking : 100

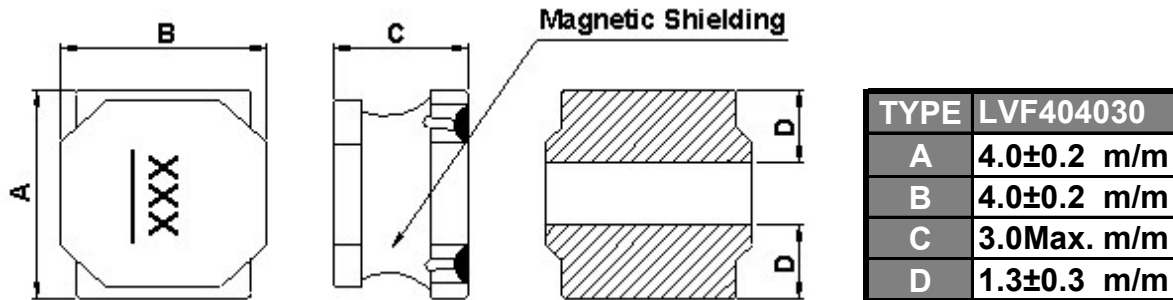
Marking color : Black

5 Standard Testing Condition

	Unless otherwise specified	In case of doubt
Temperature	Ordinary Temperature(15 to 35°C)	20 to 30°C
Humidity	Ordinary Humidity(25 to 85% RH)	50 to 80 %RH

LVF404030Series Specification

6 Configuration and Dimensions:



7 Electrical Characteristics:

Part No.	Inductance (uH)	Test Freq.	RDC (mΩ)±30%	Isat(A) Typ.(Max)	Irms(A) Typ.(Max)	Tolerance (±%)	Marking
LVF404030-1R0□-N	1.0	100kHz,1V	16	5.70(5.26)	4.70(4.14)	20,30	1R0
LVF404030-1R5□-N	1.5	100kHz,1V	20	5.30(4.84)	3.60(3.34)	20,30	1R5
LVF404030-2R2□-N	2.2	100kHz,1V	30	5.80(4.90)	3.20(2.95)	20,30	2R2
LVF404030-3R3□-N	3.3	100kHz,1V	40	3.60(3.30)	2.60(2.40)	20,30	3R3
LVF404030-4R7□-N	4.7	100kHz,1V	60	3.20(2.90)	2.30(2.00)	20,30	4R7
LVF404030-6R8□-N	6.8	100kHz,1V	90	3.00(2.75)	1.70(1.60)	20,30	6R8
LVF404030-100□-N	10	100kHz,1V	100	2.40(1.95)	1.60(1.50)	20,30	100
LVF404030-150□-N	15	100kHz,1V	100	1.80(1.65)	1.20(1.11)	20,30	150
LVF404030-220□-N	22	100kHz,1V	225	1.40(1.30)	1.20(1.00)	20,30	220
LVF404030-330□-N	33	100kHz,1V	330	1.20(1.10)	0.92(0.84)	20,30	330
LVF404030-470□-N	47	100kHz,1V	445	1.00(0.95)	0.80(0.72)	20,30	470
LVF404030-680□-N	68	100kHz,1V	868	0.80(0.72)	0.57(0.52)	20,30	680
LVF404030-101□-N	100	100kHz,1V	1150	0.73(0.60)	0.49(0.45)	20,30	101
LVF404030-151□-N	150	100kHz,1V	1800	0.55(0.50)	0.35(0.30)	20,30	151
LVF404030-221□-N	220	100kHz,1V	2500	0.50(0.40)	0.40(0.35)	20,30	221
LVF404030-331□-N	330	100kHz,1V	4000	0.40(0.30)	0.26(0.25)	20,30	331
LVF404030-471□-N	470	100kHz,1V	7200	0.35(0.30)	0.23(0.20)	20,30	471
LVF404030-681□-N	680	100kHz,1V	7580	0.20(0.19)	0.18(0.14)	20,30	681

NOTE: □-tolerance M=±20% / T=±30%

1. Operating temperature range - 5 5°C ~ 1 2 5°C (Including self - temperature rise)

2. Isat for Inductance drop 30% from its value without current.

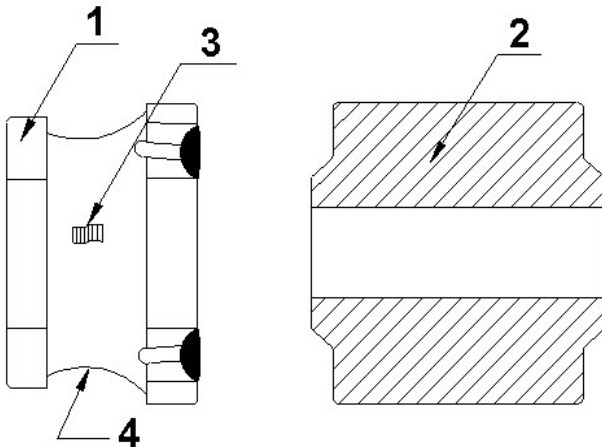
3. I rms for a 40°C temperature rise from 25°C ambient.

"-N" FOR COMPLETELY LEAD FREE TYPE(INCLUDING FERRITE BODY & SOLDER)

LVF404030 Series Specification

8 LVF404030 Series

8.1 Construction:



8.2 Material List:

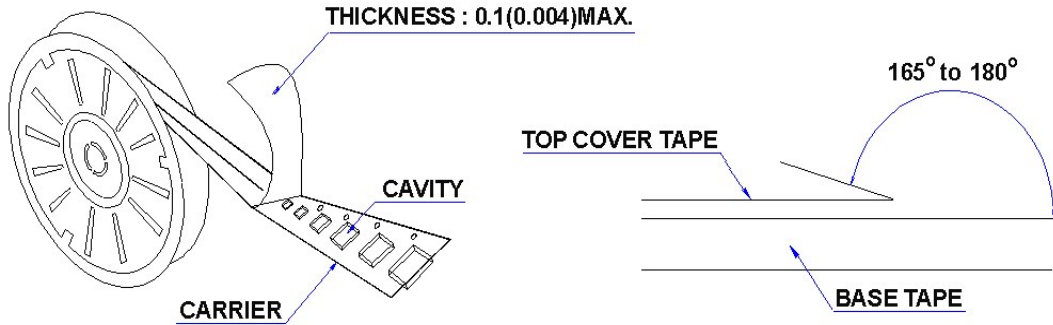
No	Part	Material
1	CORE	FERRITE
2	TERMINAL	Ag/Cu/Ni/Sn
3	WIRE	Grade 180
4	EPOXY	Magnetic powder resin

LVF404030 Series Specification

11 Packaging:

11.1 Packaging -Cover tape

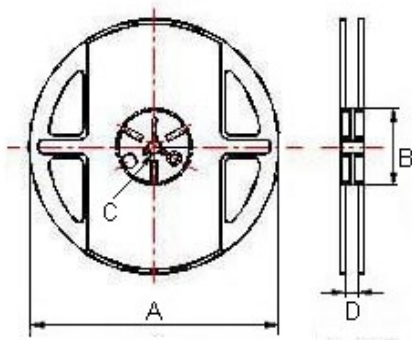
The force for tearing off cover tape is 10 to 130 grams in the arrow direction.



11.2 Packaging Quantity

TYPE	PCS/REEL
LVF404030	2000

11.3 Reel Dimensions



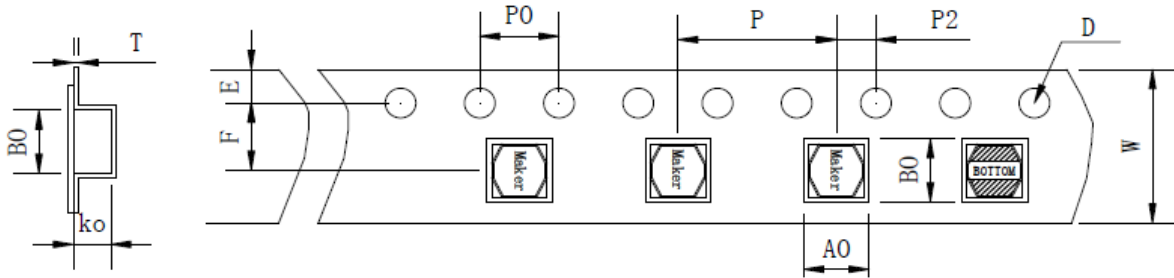
Reel Dimension : m/m

TYPE	A	B	C	D
LVF404030	330±1	100±1	13±0.5	13.2

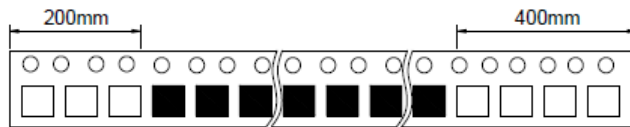
LVF404030 Series Specification

11 Packaging:

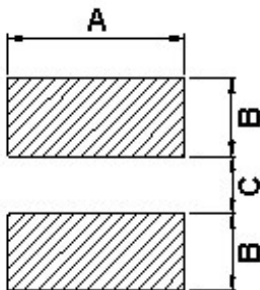
11.4 Tape Dimensions in mm



W	A0	B0	K0	D	F	E	P	P0	P2	T
12.0	4.30	4.30	3.4	1.5	5.5	1.75	8.0	4.0	2.0	0.3
±0.3	±0.1	±0.1	±0.1	±0.1	±0.1	±0.1	±0.15	±0.1	±0.1	±0.05



12 Recommended Land Pattern:



Dimensions in mm

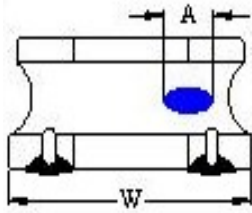
TYPE	A(m/m)	B(m/m)	C(m/m)
LVF404030	3.7	1.6	1.2

13 Note:

1. Please make sure that your product has been evaluated and confirmed against your specifications when our product is mounted to your product.
2. Do not knock nor drop.
3. All the items and parameters in this product specification have been prescribed on the premise that our product is used for the purpose, under the condition and in the environment agreed upon between you and us. You are requested not to use our product deviating from such agreement.
4. Please keep the distance between transformer/coil and other components (refer to the standard IEC 950)
5. The moisture sensitivity level (MSL) of products is classified as level 1.

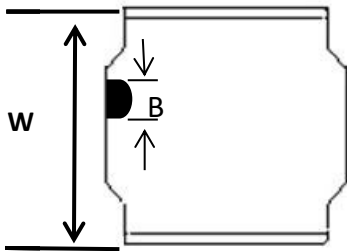
13 Note:

6. Void Appearance tolerance Limit



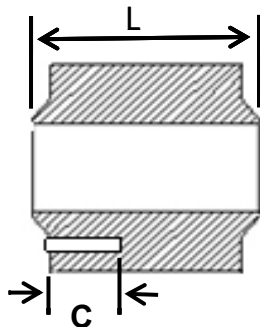
Exposed wire tolerance limit of coating resin part on product side.
The unilateral should be no more than two holes.

$$A \leq W/2 \text{ GOOD}$$
$$A > W/2 \text{ NG}$$



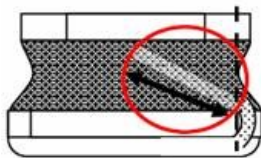
The appearance standard of the chipping size in top side.

$$B \leq W/8 \text{ GOOD}$$
$$B > W/8 \text{ NG}$$



Electrode appearance criterion for exposed wire.

$$C \leq L/4 \text{ GOOD}$$
$$C > L/4 \text{ NG}$$



External appearance criterion for wxposed wire

Exposed end of the winding wire at the side should be acceptable.

X-ON Electronics

Largest Supplier of Electrical and Electronic Components

Click to view similar products for [Fixed Inductors](#) category:

Click to view products by [Chilisin](#) manufacturer:

Other Similar products are found below :

[CR32NP-100KC](#) [CR54NP-470LC](#) [70F224AI](#) [MGDQ4-00004-P](#) [MHQ1005P10NJ](#) [MHQ1005P1N0S](#) [MHQ1005P2N4S](#) [MHQ1005P3N6S](#)
[MHQ1005P5N1S](#) [MHQ1005P8N2J](#) [PE-53601NL](#) [PE-53602NL](#) [PG0936.113NLT](#) [9220-20](#) [9310-16](#) [PM06-2N7](#) [PM06-39NJ](#) [A01TK](#)
[1206CS-471XJ](#) [HC2-R47-R](#) [HC8-1R2-R](#) [HCF1305-3R3-R](#) [1206CS-151XG](#) [RCH664NP-140L](#) [RCH664NP-4R7M](#) [RCP1317NP-391L](#)
[RCR110DNP-331L](#) [DH2280-4R7M](#) [DS1608C-106](#) [B10TJ](#) [B82498B3101J000](#) [ELJ-RE27NJF2](#) [1812CS-153XJ](#) [1812CS-183XJ](#) [1812CS-](#)
[223XJ](#) [1812LS-104XJ](#) [1812LS-105XJ](#) [1812LS-124XJ](#) [1812LS-154XJ](#) [1812LS-223XJ](#) [1812LS-224XJ](#) [1812LS-563XJ](#) [1812LS-683XJ](#)
[1812LS-824XJ](#) [NIN-FB101JTR110F](#) [NIN-FB471JTR62F](#) [NIN-FC1R5JTR220F](#) [NIN-HCR15JTRF](#) [NIN-HCR33JTRF](#) [NIN-HDR22JTRF](#)