



ISO9001 ISO14001 IATF16949 CHILISIN ELECTRONICS CORP.
RoHS & Halogen Free & REACH Compliance.

SPECIFICATION FOR APPROVAL

Customer : 天河星
Customer P/N:
Drawing No : IE1-950253
Quantity : 0 Pcs. Date : 2019/05/15
Chilisin P/N : MHCD252012A-1R0M-A8SDG

| SPECIFICATION ACCEPTED BY: | |
|-------------------------------|--|
| COMPONENT ENGINEER | |
| ELECTRICAL ENGINEER | |
| MECHANICAL ENGINEER | |
| APPROVED | |
| REJECTED | |

| | |
|---|--|
| <p>奇力新電子股份有限公司 Chilisin Electronics Corp No. 29, Alley 301, Tehhsin Rd., Hukou,Hsinchu 303, Taiwan TEL : +886-3- 599-2646 FAX : +886-3- 599-9176 E-mail : sales@chilisin.com http : //www.chilisin.com</p> | <p>東莞奇力新電子(東莞廠)有限公司 Chilisin Electronics (Dongguan) Co., Ltd. No. 78, Puxing Rd., Yuliangwei Administration Area, Qingxi Town, Dongguan City, Guangdong,China TEL : +86-769-8773-0251~3 FAX : +86-769-8773-0232 E-mail : cect@chilisin.com</p> |
| <p>奇力新電子(越南廠)有限公司 Chilisin Electronics (Vietnam) Limited No 143 - 145, Road No 10, VSIP Hai Phong, Lap Le Commune, Thuy Nguyen Dist, Haiphong City, Vietnam Tel : 84-316 255 688 Fax : 84-316 255 689 E-mail : sales@chilisin.com</p> | <p>奇力新電子(湖南廠)有限公司 HuNan Chilisin Electronics Technology Co., Ltd No. 8, Shaziao Liangshuijing Town, Yuanling County, Huaihua City, Hunan Province 419601, China Tel : 86-745-867-5882 E-mail : cect@chilisin.com</p> |

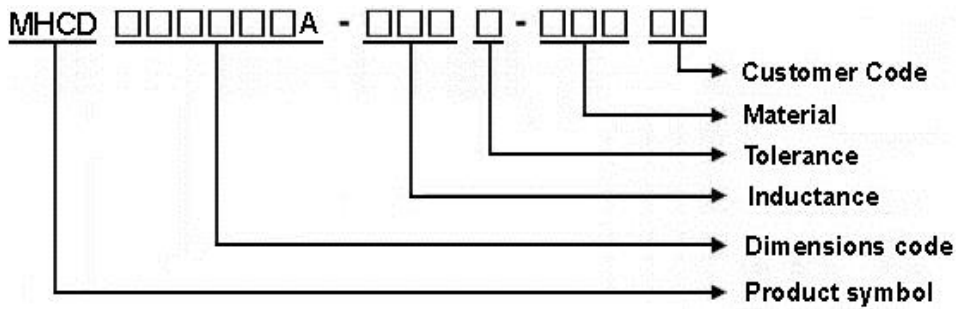
| | | |
|-----------------------------|-------------------------------|--------------------------------|
| Drawn by 張鈺雯 chang.yuwen | Checked by 張鈺雯 chang.yuwen | Approved by 鍾瑞民 jacky.chung |
|-----------------------------|-------------------------------|--------------------------------|



MHCD252012A Series Specification

1 Scope: This specification applies to Alloy Molding power inductors

2 Part Numbering:



3 Rating:

Operating Temperature: - 4 0 °C ~ 1 2 5 °C(Including self - temperature rise)

Storage Temperature: - 4 0 °C ~ 1 2 5 °C(after PCB)

- 5 °C~ 3 5 °C, Humidity 4 5 %~ 8 5 %(before PCB)

4 Marking:

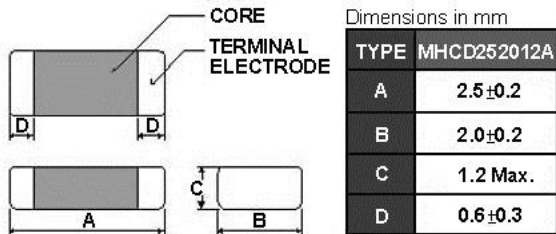
No Marking

5 Standard Testing Condition

| | Unless otherwise specified | In case of doubt |
|-------------|----------------------------------|------------------|
| Temperature | Ordinary Temperature(15 to 35°C) | 20 to 30°C |
| Humidity | Ordinary Humidity(25 to 85% RH) | 50 to 80 %RH |

MHCD252012A Series Specification

6 Configuration and Dimensions:



7 Electrical Characteristics:

| Part No. | Inductance (uH) | Tolerance (±%) | Test Freq. | I _{rms} (A) Max.(Typ) | I _{sat} (A) Max.(Typ) | RDC(mΩ) Max.(Typ) |
|------------------------|-----------------|----------------|------------|--------------------------------|--------------------------------|-------------------|
| MHCD252012A-1R0M-A8SDG | 1.0 | 20 | 2MHz,0.2V | 3.0(3.5) | 4.0(5.0) | 59(45) |

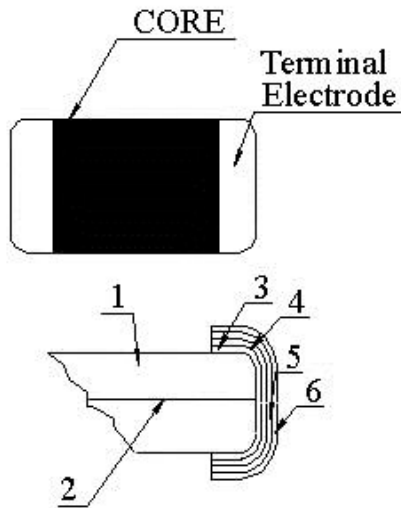
Note:

1. Operating temperature range - 4 0°C ~ 1 2 5°C(Including self - temperature rise)
2. I_{sat} for Inductance drop 30% from its value without current.
3. I_{rms} for a 40°C temperature rise from 25°C ambient.
4. All test data is referenced to 25°C ambient
5. Absolute maximum voltage 20VDC
6. Rated current: I_{sat} or I_{rms}, whichever is smaller

MHCD252012A Series Specification

8 MHCD252012A Series

8.1 Construction:



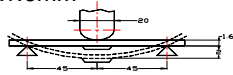
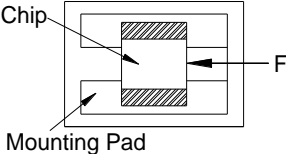
8.2 Material List:

| No | Part | Material |
|----|------------------|--------------|
| 1 | Core | Metal Powder |
| 2 | Wire | Copper wire |
| 3 | Sputter/Plating | Cu |
| 4 | Silver Electrode | Ag |
| 5 | Plating | Ni |
| 6 | Plating | Sn |

MHCD252012A Series Specification

9 Reliability Of Molding power inductors

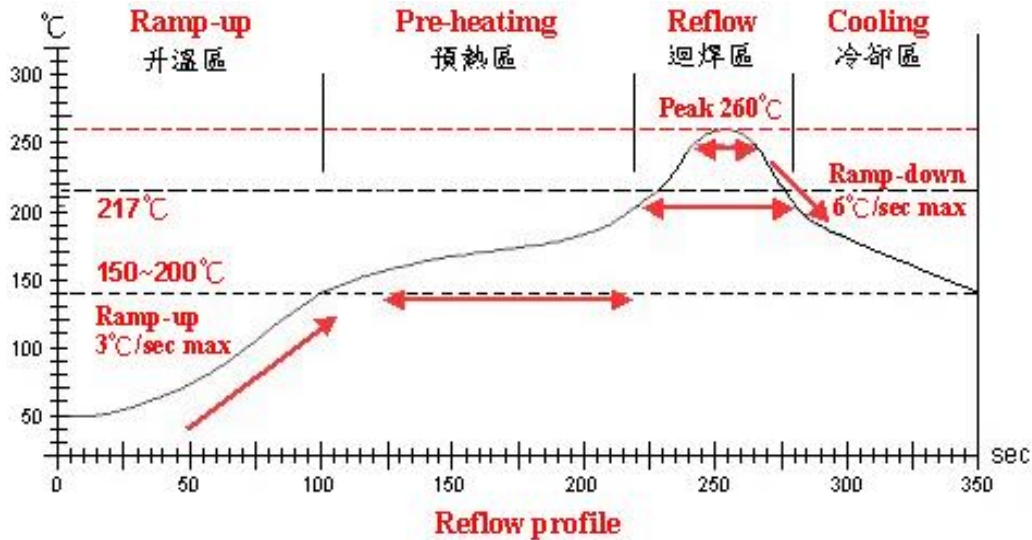
1-1.Mechanical Performance

| No | Item | Specification | Test Method |
|-------|------------------------------|---|--|
| 1-1-1 | Flexure Strength | The forces applied on the right conditions must not damage the terminal electrode and the metal body | Test device shall be soldered on the substrate Substrate Dimension: 100x40x1.6mm Deflection: 2.0mm Keeping Time: 30sec  |
| 1-1-2 | Vibration | Appearance:No damage (for microscope of CASTOR MZ-45 20X) Inductance change shall be within $\pm 20\%$ | Test device shall be soldered on the substrate Oscillation Frequency: 10 to 55 to 10Hz for 1min Amplitude: 1.5mm Time: 2hrs for each axis (X, Y & Z), total 6hrs |
| 1-1-3 | Resistance to Soldering Heat | Appearance: No damage More than 75% of the terminal electrode should be covered with solder. Inductance: within $\pm 20\%$ of initial value | Pre-heating: 150°C, 1min Solder Composition: Sn/Ag3.0/Cu0.5(Pb-Free) Solder Temperature: 260 \pm 5°C Immersion Time: 10 \pm 1sec |
| 1-1-4 | Solder ability | The electrodes shall be at least 95% covered with new solder coating | Pre-heating: 150°C, 1min Solder Composition: Sn/Ag3.0/Cu0.5(Pb-Free) Solder Temperature: 245 \pm 5°C Immersion Time: 4 \pm 1sec |
| 1-1-5 | Terminal Strength Test | No split termination  Chip Mounting Pad | Test device shall be soldered on the substrate, then apply a force in the direction of the arrow. Force : 5N Keeping Time: 10 \pm 1sec |

1-2.Environmental Performance

| No | Item | Specification | Test Method | | |
|-------|-----------------------------|---|--|------------------|------------|
| 1-2-1 | Temperature Cycle | Appearance: No damage Inductance: within $\pm 20\%$ of initial value | One cycle: | | |
| | | | Step | Temperature (°C) | Time (min) |
| | | | 1 | -40 \pm 3 | 30 |
| | | | 2 | 25 \pm 2 | 3 |
| | | | 3 | 125 \pm 3 | 30 |
| 4 | 25 \pm 2 | 3 | | | |
| | | | Total: 100cycles | | |
| | | | Measured after exposure in the room condition for 24hrs | | |
| 1-2-2 | Humidity Resistance | | Temperature: 60 \pm 2°C Relative Humidity: 90 ~ 95% / Time: 500hrs Measured after exposure in the room condition for 24hrs | | |
| 1-2-3 | High Temperature Resistance | | Temperature: 85 \pm 3°C Relative Humidity: 0% / Time: 500hrs Measured after exposure in the room condition for 24hrs | | |
| 1-2-4 | Low Temperature Resistance | | Temperature: -40 \pm 3°C Relative Humidity: 0% / Time: 500hrs Measured after exposure in the room condition for 24hrs | | |

MHCD252012A Series Specification



Lead-Free(LF) 標準溫度分析範圍

Refer to J-STD-020C

| 管制項目 Item. | 升温區 Ramp-up | 预热區 Pre-heating | 迴焊區 Reflow | Peak Temp | 冷却區 Cooling |
|---------------------|----------------|--------------------|---------------|-------------|--------------------|
| 溫度範圍 Temp. scope | R.T. ~ 150°C | 150°C ~ 200°C | 217°C | 260±5°C | Peak Temp. ~ 150°C |
| 標準時間 Time spec. | — | 60 ~ 180 sec | 60 ~ 150sec | 20 ~ 40 sec | — |
| 實際時間 Time result | — | 75 ~ 100 sec | 90 ~ 120sec | 20 ~ 35 sec | — |

NOTE :

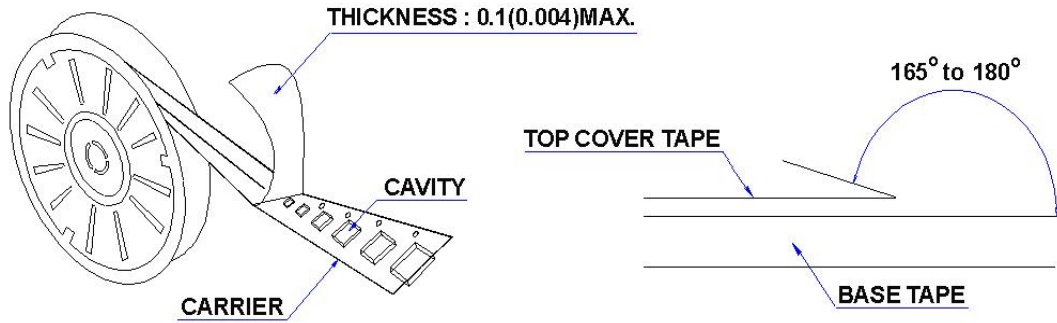
1. Re-flow possible times : within 2 times
2. Nitrogen adopted is recommended while in re-flow

MHCD252012A Series Specification

10 Packaging:

10.1 Packaging -Cover Tape

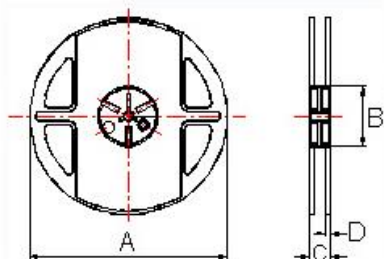
The force for tearing off cover tape is 10 to 100 grams in the arrow direction.



10.2 Packaging Quantity

| TYPE | PCS/REEL |
|-------------|----------|
| MHCD252012A | 3000 |

10.3 Reel Dimensions



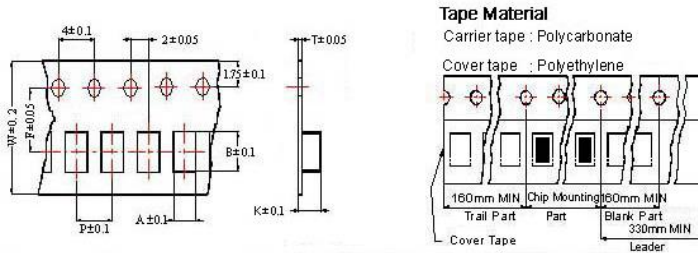
Dimensions in mm

| TYPE | A | B | C | D |
|-------------|-----|----|----|-----|
| MHCD252012A | 178 | 60 | 12 | 1.5 |

MHCD252012A Series Specification

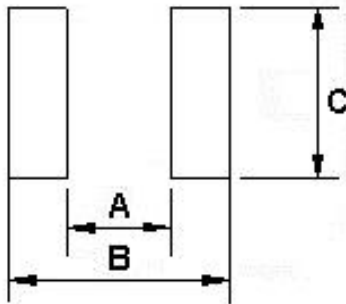
10 Packaging:

10.4 Tape Dimensions in mm



| TYPE | A | B | T | W | P | F | K |
|-------------|------|------|------|---|---|-----|------|
| MHCD252012A | 2.25 | 2.80 | 0.22 | 8 | 4 | 3.5 | 1.35 |

11 Recommended Land Pattern:



Dimensions in mm

| TYPE | A | B | C |
|-------------|-----|-----|-----|
| MHCD252012A | 1.2 | 2.8 | 2.3 |

12 Note:

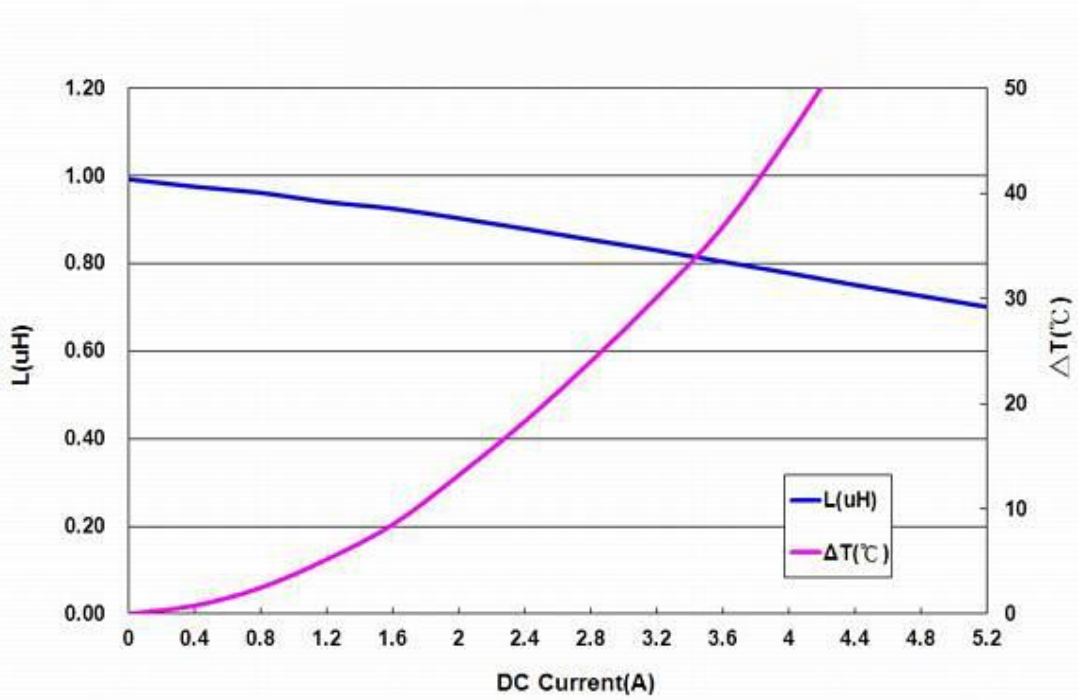
1. Please make sure that your product has been evaluated and confirmed against your specifications when our product is mounted to your product.
2. Do not knock nor drop.
3. All the items and parameters in this product specification have been prescribed on the premise that our product is used for the purpose, under the condition and in the environment agreed upon between you and us. You are requested not to use our product deviating from such agreement.
4. Please keep the distance between transformer/coil and other components (refer to the standard IEC 950)
5. After manufacturing process, there might be slight irregular shape on the edge of the products, and it's a normal phenomenon that can be neglected
6. The moisture sensitivity level (MSL) of products is classified as level 1.



ISO9001 ISO14001 IATF16949 CHILISIN ELECTRONICS CORP.

MHCD252012A Series Specification

13 Graph: MHCD252012A-1R0M-A8SDG



X-ON Electronics

Largest Supplier of Electrical and Electronic Components

Click to view similar products for [Fixed Inductors](#) category:

Click to view products by [Chilisin](#) manufacturer:

Other Similar products are found below :

[CR43NP-680KC](#) [CR54NP-470LC](#) [CR54NP-820KC](#) [CR54NP-8R5MC](#) [70F224AI](#) [MGDQ4-00004-P](#) [MHL1ECTTP18NJ](#) [MHQ1005P10NJ](#)
[MHQ1005P1N0S](#) [MHQ1005P2N4S](#) [MHQ1005P3N6S](#) [MHQ1005P5N1S](#) [MHQ1005P8N2J](#) [PE-51506NL](#) [PE-53601NL](#) [PE-53602NL](#) [PE-](#)
[53630NL](#) [PE-53824SNLT](#) [PE-92100NL](#) [PG0434.801NLT](#) [PG0936.113NLT](#) [9220-20](#) [9310-16](#) [PM06-2N7](#) [PM06-39NJ](#) [A01TK](#) [1206CS-](#)
[471XJ](#) [HC2LP-R47-R](#) [HC2-R47-R](#) [HC3-2R2-R](#) [HC3-R50-R](#) [HC8-1R2-R](#) [HCF1305-3R3-R](#) [1206CS-151XG](#) [RCH664NP-140L](#) [RCH664NP-](#)
[4R7M](#) [RCH8011NP-221L](#) [RCP1317NP-332L](#) [RCP1317NP-391L](#) [RCR1010NP-470M](#) [RCR110DNP-331L](#) [DH2280-4R7M](#) [DS1608C-106](#)
[ASPI-4020HI-R10M-T](#) [B10TJ](#) [B82498B3680J000](#) [ELJ-RE27NJF2](#) [1812CS-153XJ](#) [1812CS-183XJ](#) [1812CS-223XJ](#)