



ISO9001 ISO14001 IATF16949 CHILISIN ELECTRONICS CORP.

RoHS & Halogen Free & REACH Compliance.

SPECIFICATION FOR APPROVAL

Customer : 各廠家

Customer P/N: _____

Drawing No : _____

Quantity : 0 Pcs. Date : 2018/11/13

Chilisin P/N : MRSC252A10-100M-N

SPECIFICATION ACCEPTED BY:	
COMPONENT ENGINEER	
ELECTRICAL ENGINEER	
MECHANICAL ENGINEER	
APPROVED	
REJECTED	

奇力新電子股份有限公司
Chilisin Electronics Corp
No. 29, Alley 301, Tehhsin Rd.,
Hukou, Hsinchu 303, Taiwan
TEL : +886-3- 599-2646
FAX : +886-3- 599-9176
E-mail : sales@chilisin.com
http : //www.chilisin.com

東莞奇力新電子(東莞廠)有限公司
Chilisin Electronics (Dongguan) Co., Ltd.
No. 78, Puxing Rd., Yuliangwei Administration Area,
Qingxi Town, Dongguan City, Guangdong, China
TEL : +86-769-8773-0251~3
FAX : +86-769-8773-0232
E-mail : cect@chilisin.com

奇力新電子(越南廠)有限公司
Chilisin Electronics (Vietnam) Limited
No 143 - 145, Road No 10, VSIP Hai Phong,
Lap Le Commune, Thuy Nguyen Dist,
Haiphong City, Vietnam
Tel : 84-316 255 688 Fax : 84-316 255
689
E-mail : sales@chilisin.com

奇力新電子(湖南廠)有限公司
HuNan Chilisin Electronics Technology Co., Ltd
No. 8, Shaziao Liangshuijing Town, Yuanling
County, Huaihua City, Hunan Province 419601,
China
Tel : 86-745-867-5882
E-mail : cect@chilisin.com

Drawn by
陳瑞揚 ryan.chen

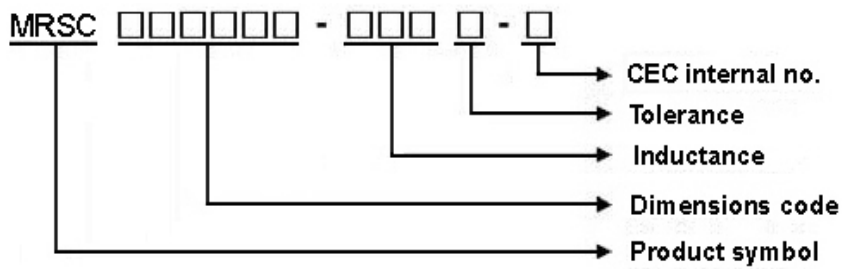
Checked by
溫美玲 ling

Approved by
陳瑞揚 ryan.chen

MRSC252A10 Series Specification

1 Scope: This specification applies to Wire Wound Power Inductors

2 Part Numbering:



3 Rating:

Operating Temperature: $-40^{\circ}\text{C} \sim 125^{\circ}\text{C}$ (Including self - temperature rise)

Storage Temperature: $20^{\circ}\text{C} \sim 25^{\circ}\text{C}$ R.H. 65% (In Tape & Reel Condition)

4 Marking:



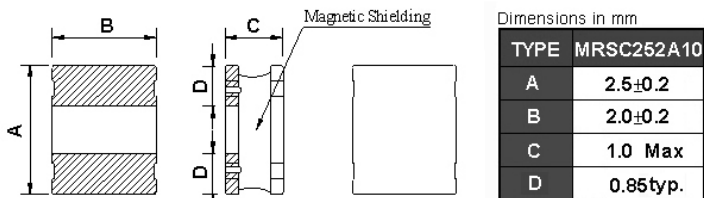
NO Marking

5 Standard Testing Condition

	Unless otherwise specified	In case of doubt
Temperature	Ordinary Temperature(15 to 35°C)	20 to 30°C
Humidity	Ordinary Humidity(25 to 85% RH)	50 to 80 %RH

MRSC252A10 Series Specification

6 Configuration and Dimensions:



7 Electrical Characteristics:

Part No.	Inductance (uH)	Test Freq.	SRF (MHz)Min.	RDC(mΩ) Max.(Typ)	Isat(A) Max.(Typ)	Irms(A) Max.(Typ)	Tolerance (±%)
MRSC252A10-3R3□-N	3.3	1MHz,200mV	24	198(165)	1.40(1.60)	1.20(1.40)	20,30
MRSC252A10-4R7□-N	4.7	1MHz,200mV	19	264(220)	1.30(1.40)	1.10(1.20)	20,30
MRSC252A10-6R8□-N	6.8	1MHz,200mV	15	396(330)	1.00(1.10)	0.90(1.00)	20,30
MRSC252A10-100□-N	10	1MHz,200mV	12	500(435)	0.90(1.00)	0.80(0.90)	20,30
MRSC252A10-220□-N	22	1MHz,200mV	8	1260(1050)	0.56(0.63)	0.45(0.50)	20,30

Note: □-tolerance M=±20% / T=±30%

1. Operating temperature range -40°C ~125°C (Including self - temperature rise)
2. Isat for Inductance drop 30% from its value without current.
3. I rms for a 40°C temperature rise from 25°C ambient.
4. The part temperature (ambient + temp rise) should not exceed 125°C under worst case operating conditions.

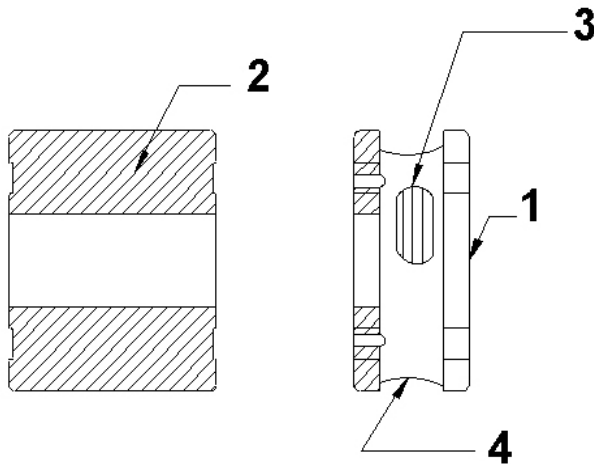
Circuit design 125°C under worst case operating conditions. Component placement, PWB trace size and thickness, airflow and other cooling provisions all affect the part temperature. Part temperature should be verified in the end application.

"-N" FOR COMPLETELY LEAD FREE TYPE(INCLUDING FERRITE BODY & SOLDER)

MRSC252A10 Series Specification

8 MRSC252A10 Series

8.1 Construction:



8.2 Material List:

No	Part	Material
1	CORE	Magnetic Metal
2	TERMINAL	Ag/Ni/Sn
3	WIRE	Grade 180
4	EPOXY	Magnetic powder resin

MRSC252A10 Series Specification

9 Packaging:

9.1 Packaging -Cover Tape

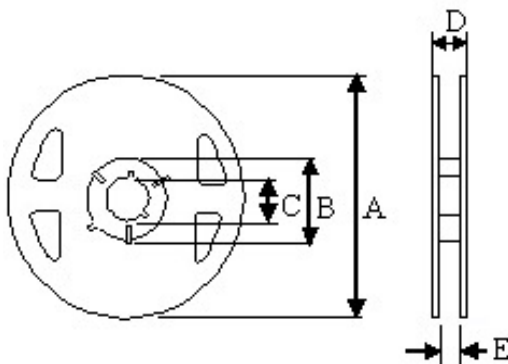
The force for tearing off cover tape is 10 to 100 grams in the arrow direction.



9.2 Packaging Quantity

TYPE	PCS/REEL
MRSC252A10	2000

9.3 Reel Dimensions



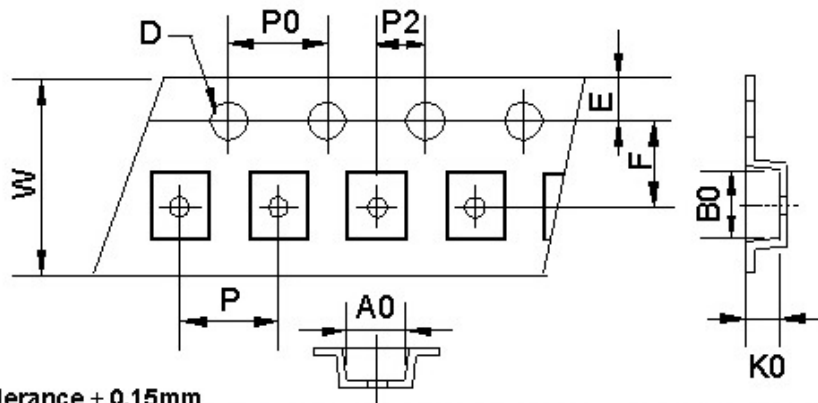
Dimensions in mm

TYPE	A	B	C	D	E
MRSC252A10	180	60	13	14.4	8.4

MRSC252A10 Series Specification

9 Packaging:

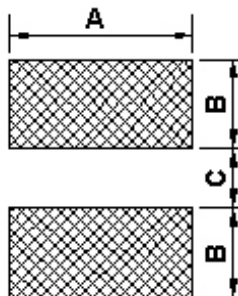
9.4 Tape Dimensions in mm



Tolerance $\pm 0.15\text{mm}$

TYPE	A0	B0	K0	D	E	F	W	P	P0	P2
MRSC252A10	2.35	2.80	1.15	1.55	1.75	3.5	8	4	4	2

10 Recommended Land Pattern:



Dimensions in mm

TYPE	A	B	C
MRSC252A 10	2.1	0.9	0.8

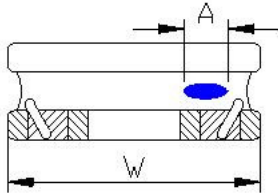
11 Note:

1. Please make sure that your product has been evaluated and confirmed against your specifications when our product is mounted to your product.
2. Do not knock nor drop.
3. All the items and parameters in this product specification have been prescribed on the premise that our product is used for the purpose, under the condition and in the environment agreed upon between you and us. You are requested not to use our product deviating from such agreement.
4. Please keep the distance between transformer/coil and other components (refer to the standard IEC 950)
5. The moisture sensitivity level (MSL) of products is classified as level 1.

MRSC252A10 Series Specification

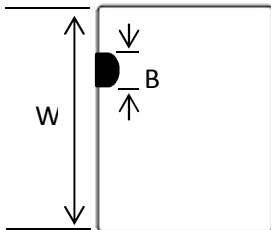
11 Note:

6. Void Appearance tolerance Limit



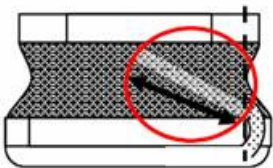
Exposed wire tolerance limit of coating resin part on product side.
The unilateral should be no more than two holes.

$$\begin{aligned} A &\leq W/2 \text{ GOOD} \\ A &> W/2 \text{ NG} \end{aligned}$$



The appearance standard of the chipping size in top side.

$$\begin{aligned} B &\leq W/5 \text{ GOOD} \\ B &> W/5 \text{ NG} \end{aligned}$$



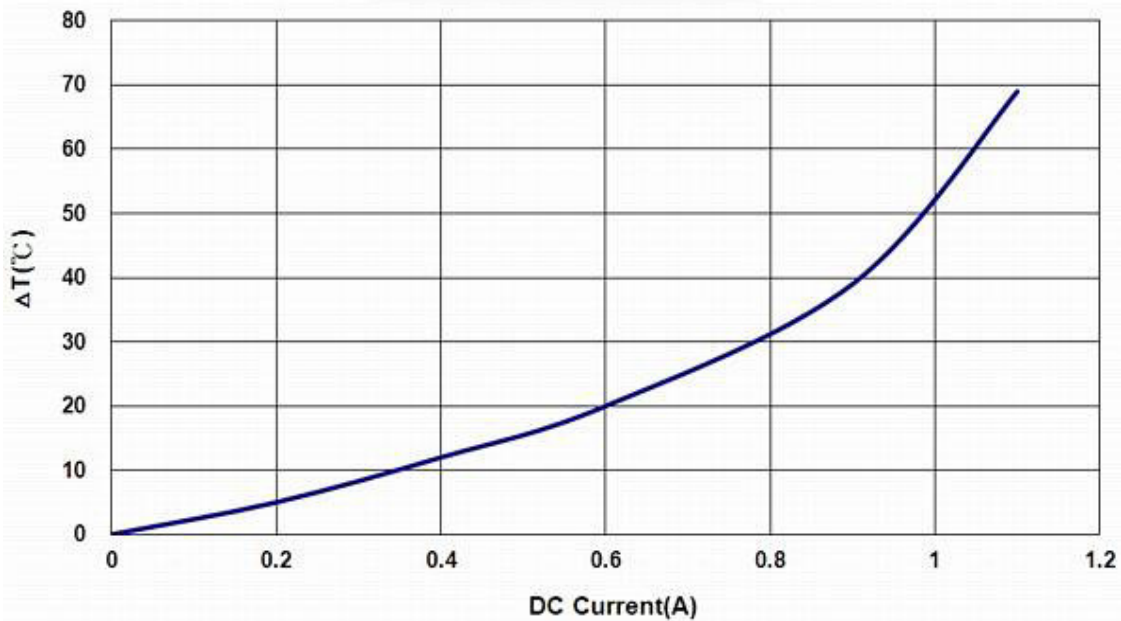
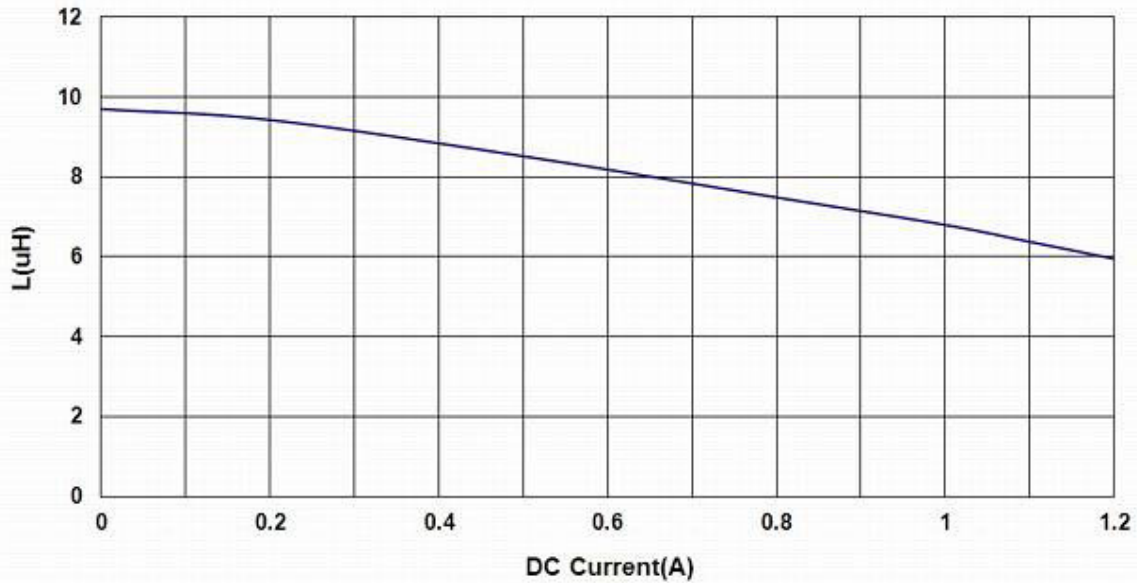
External appearance criterion for wxposed wire

Exposed end of the winding wire at the side should be acceptable.



MRSC252A10 Series Specification

12 Graph: MRSC252A10-100M-N



Temperature test conditions:

1. Start as the atmosphere temp. @25°C.
2. Take the reading once it becomes stable.
3. Need to wait 90Sec at least, then change to the next applied current value.

X-ON Electronics

Largest Supplier of Electrical and Electronic Components

Click to view similar products for [Fixed Inductors](#) category:

Click to view products by [Chilisin](#) manufacturer:

Other Similar products are found below :

[CR32NP-151KC](#) [CR32NP-180KC](#) [CR32NP-181KC](#) [CR32NP-1R5MC](#) [CR32NP-390KC](#) [CR32NP-3R9MC](#) [CR32NP-680KC](#) [CR32NP-820KC](#) [CR32NP-8R2MC](#) [CR43NP-390KC](#) [CR43NP-560KC](#) [CR43NP-680KC](#) [CR54NP-181KC](#) [CR54NP-470LC](#) [CR54NP-820KC](#) [CR54NP-8R5MC](#) [70F224AI](#) [MGDQ4-00004-P](#) [MHL1ECTTP18NJ](#) [MHQ1005P10NJ](#) [MHQ1005P1N0S](#) [MHQ1005P2N4S](#) [MHQ1005P3N6S](#) [MHQ1005P5N1S](#) [MHQ1005P8N2J](#) [PE-51506NL](#) [PE-53601NL](#) [PE-53602NL](#) [PE-53630NL](#) [PE-53824SNLT](#) [PE-92100NL](#) [PG0434.801NLT](#) [PG0936.113NLT](#) [9220-20](#) [9310-16](#) [PM06-2N7](#) [PM06-39NJ](#) [A01TK](#) [1206CS-471XJ](#) [HC2LP-R47-R](#) [HC2-R47-R](#) [HC3-2R2-R](#) [HCF1305-3R3-R](#) [1206CS-151XG](#) [RCH664NP-140L](#) [RCH664NP-4R7M](#) [RCH8011NP-221L](#) [RCP1317NP-332L](#) [RCP1317NP-391L](#) [RCR1010NP-470M](#)