



ISO9001 ISO14001 IATF16949 CHILISIN ELECTRONICS CORP.

RoHS & Halogen Free & REACH Compliance.

SPECIFICATION FOR APPROVAL

Customer : 各廠家

Customer P/N: _____

Drawing No : _____

Quantity : 0 Pcs. Date : 2019/08/26

Chilisin P/N : PBY201209T-600Y-N

SPECIFICATION ACCEPTED BY:	
COMPONENT ENGINEER	
ELECTRICAL ENGINEER	
MECHANICAL ENGINEER	
APPROVED	
REJECTED	

奇力新電子股份有限公司
Chilisin Electronics Corp
No. 29, Alley 301, Tehhsin Rd.,
Hukou, Hsinchu 303, Taiwan
TEL : +886-3- 599-2646
FAX : +886-3- 599-9176
E-mail : sales@chilisin.com
http : //www.chilisin.com

東莞奇力新電子(東莞廠)有限公司
Chilisin Electronics (Dongguan) Co., Ltd.
No. 78, Puxing Rd., Yuliangwei Administration Area,
Qingxi Town, Dongguan City, Guangdong, China
TEL : +86-769-8773-0251~3
FAX : +86-769-8773-0232
E-mail : cect@chilisin.com

奇力新電子(越南廠)有限公司
Chilisin Electronics (Vietnam) Limited
No 143 - 145, Road No 10, VSIP Hai Phong,
Lap Le Commune, Thuy Nguyen Dist,
Haiphong City, Vietnam
Tel : 84-316 255 688 Fax : 84-316 255
689
E-mail : sales@chilisin.com

奇力新電子(湖南廠)有限公司
HuNan Chilisin Electronics Technology Co., Ltd
No. 8, Shaziao Liangshuijing Town, Yuanling
County, Huaihua City, Hunan Province 419601,
China
Tel : 86-745-867-5882
E-mail : cect@chilisin.com

Drawn by
陳瑞揚 ryan.chen

Checked by
吳振賢 lcn07

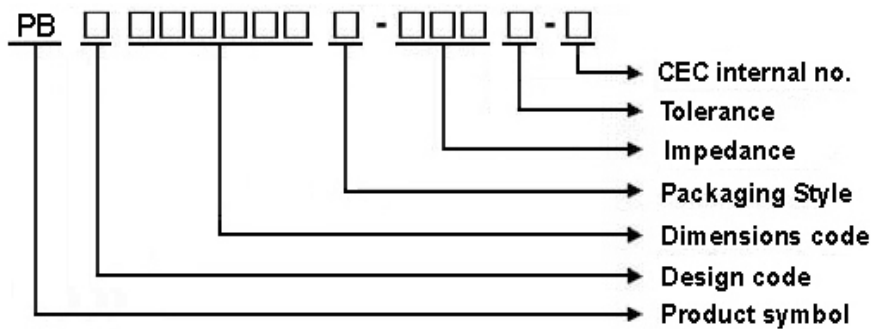
Approved by
陳瑞揚 ryan.chen



PBY201209T Series Specification

1 Scope: This specification applies to MULTILAYER FERRITE CHIP BEADS

2 Part Numbering:



3 Rating:

Operating Temperature: $-55^{\circ}\text{C} \sim 125^{\circ}\text{C}$ (Including self - temperature rise)

Storage Temperature: $-55^{\circ}\text{C} \sim 125^{\circ}\text{C}$ (after PCB)

$-5^{\circ}\text{C} \sim 40^{\circ}\text{C}$, Humidity 40%~70% (before PCB)

4 Marking:

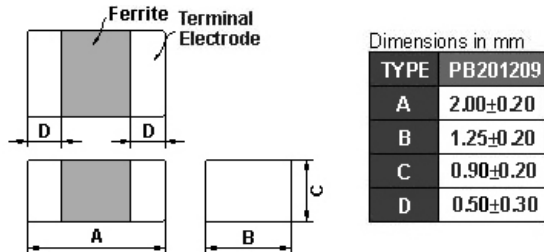
No Marking

5 Standard Testing Condition

	Unless otherwise specified	In case of doubt
Temperature	Ordinary Temperature(15 to 35°C)	20 to 30°C
Humidity	Ordinary Humidity(25 to 85% RH)	50 to 80 %RH

PBY201209T Series Specification

6 Configuration and Dimensions:

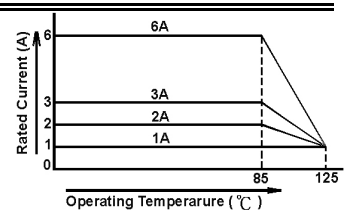


7 Electrical Characteristics:

Part No.	Impedance (Ω)	Test Freq.	RDC (Ω)Max.	Rated Current (mA)Max.
PBY201209T-10□-N	10	100 MHz,200 mV	0.01	6000
PBY201209T-11□-N	11	100 MHz,200 mV	0.01	6000
PBY201209T-17□-N	17	100 MHz,200 mV	0.02	5000
PBY201209T-30□-N	30	100 MHz,200 mV	0.015	4000
PBY201209T-50□-N	50	100 MHz,200 mV	0.025	3000
PBY201209T-60□-N	60	100 MHz,200 mV	0.03	3000
PBY201209T-70□-N	70	100 MHz,200 mV	0.04	3000
PBY201209T-80□-N	80	100 MHz,200 mV	0.04	3000
PBY201209T-101□-N	100	100 MHz,200 mV	0.04	3000
PBY201209T-121□-N	120	100 MHz,200 mV	0.04	3000
PBY201209T-221□-N	220	100 MHz,200 mV	0.08	2000
PBY201209T-301□-N	300	100 MHz,200 mV	0.08	2000
PBY201209T-331□-N	330	100 MHz,200 mV	0.08	2000
PBY201209T-471□-N	470	100 MHz,200 mV	0.1	2000
PBY201209T-601□-N	600	100 MHz,200 mV	0.1	2000
PBY201209T-102□-N	1000	100 MHz,200 mV	0.12	1500
PBY201209T-152□-N	1500	100 MHz,200 mV	0.3	1000

NOTE: □-tolerance Y=±25% / T=±30%

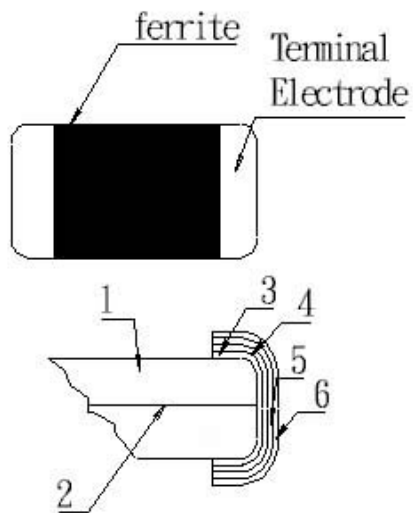
1. Operating temperature range - 5 5 °C ~ 1 2 5 °C (Including self - temperature rise)
 2. Rate Current : Applied the current to coils, the temperature rise shall not be more than 30°C
 3. As for PB/UPB type. Rated Current is derated as right figure depending on the operating temperature
- "-N" FOR COMPLETELY LEAD FREE TYPE(INCLUDING FERRITE BODY & SOLDER)



PBY201209T Series Specification

8 PBY201209T Series

8.1 Construction:



8.2 Material List:

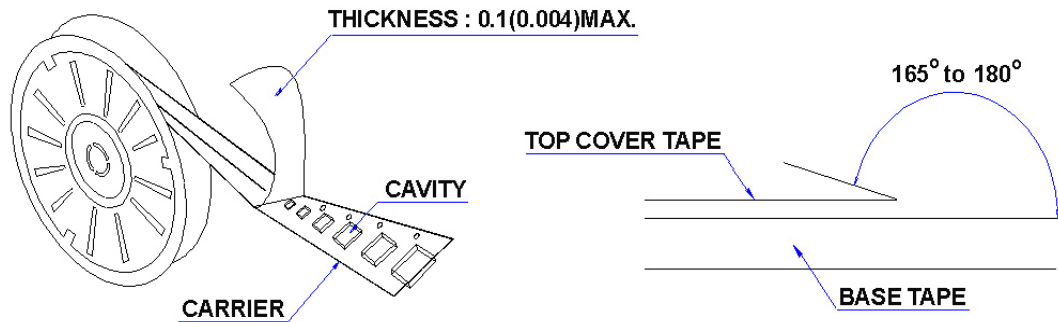
No	Part	Material
1	Ferrite Substance	NiO-CuO-ZnO-Ferrite
2	Silver electrode	Ag
3	Silver electrode	Ag
4	Cu plating	Cu
5	Ni plating	Ni
6	Sn plating	Sn

PBY201209T Series Specification

9 Packaging:

9.1 Packaging -Cover Tape

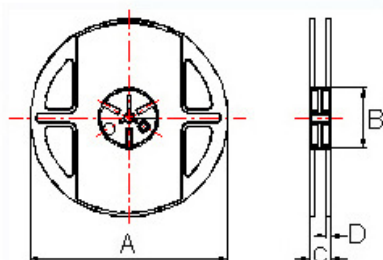
The force for tearing off cover tape is 10 to 100 grams in the arrow direction.



9.2 Packaging Quantity

TYPE	PCS/REEL
PB060303	15000
PB100505	10000
PB160808	4000
PB201209	4000

9.3 Reel Dimensions



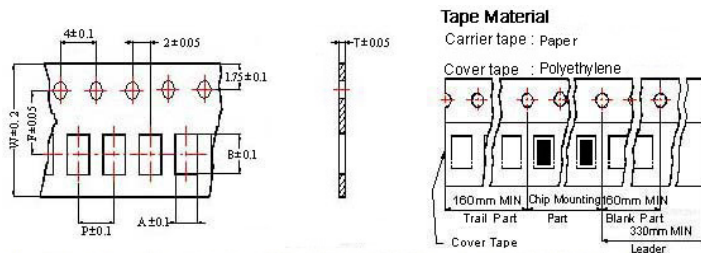
Dimensions in mm

TYPE	A	B	C	D
PB060303	178	60	12	1.5
PB100505	178	60	12	1.5
PB160808	178	60	12	1.5
PB201209	178	60	12	1.5

PBY201209T Series Specification

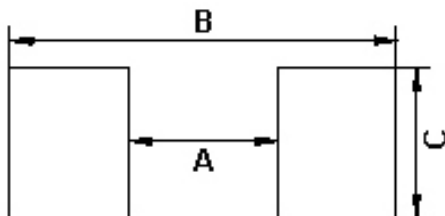
9 Packaging:

9.4 Tape Dimensions in mm



TYPE	A	B	T	W	P	F
PB060303	0.37	0.67	0.42	8	2	3.5
PB100505	0.62	1.12	0.60	8	2	3.5
PB160808	1.05	1.85	0.95	8	4	3.5
PB201209	1.50	2.30	0.97	8	4	3.5

10 Recommended Land Pattern:



Dimensions in mm

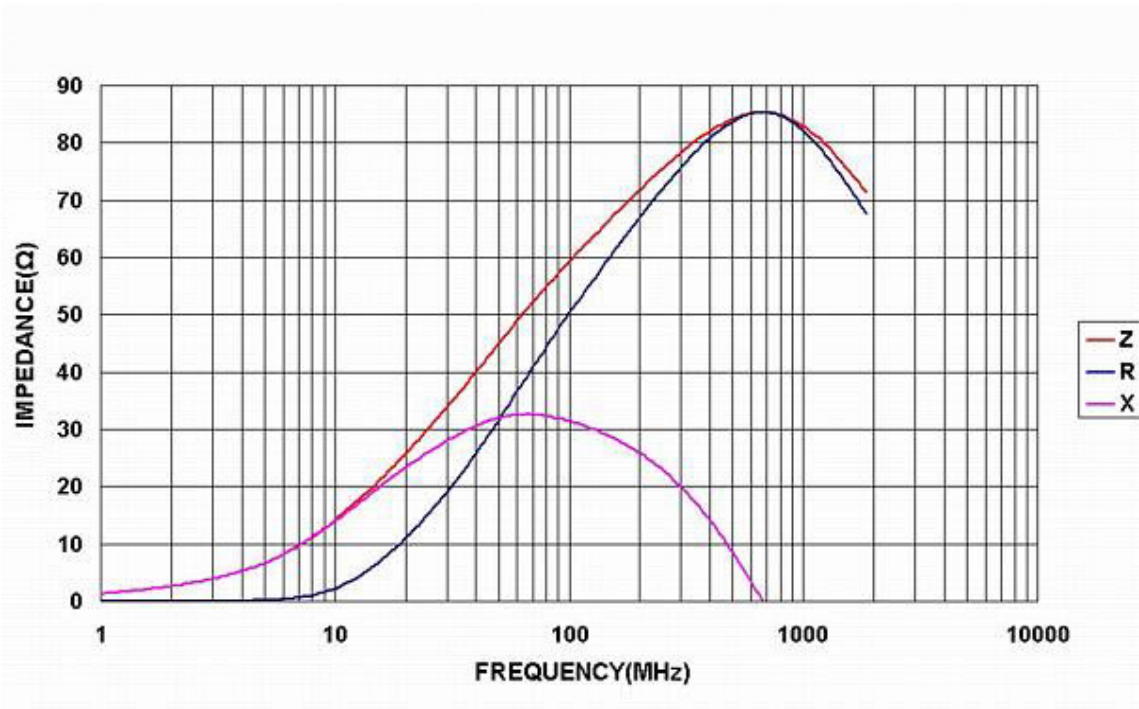
TYPE	A	B	C
PB201209	1.0 ~ 1.2	2.6 ~ 4.0	1.0 ~ 1.4

11 Note:

1. Please make sure that your product has been evaluated and confirmed against your specifications when our product is mounted to your product.
2. Do not knock nor drop.
3. All the items and parameters in this product specification have been prescribed on the premise that our product is used for the purpose, under the condition and in the environment agreed upon between you and us. You are requested not to use our product deviating from such agreement.
4. Please keep the distance between transformer/coil and other components (refer to the standard IEC 950)
5. The moisture sensitivity level (MSL) of products is classified as level 1.

PBY201209T Series Specification

12 Graph: PBY201209T-600Y-N



X-ON Electronics

Largest Supplier of Electrical and Electronic Components

Click to view similar products for [Ferrite Beads](#) category:

Click to view products by [Chilisin](#) manufacturer:

Other Similar products are found below :

[2943778301](#) [BMB1J0120BN3JIT](#) [82350120560](#) [0261014605](#) [2643066902](#) [3061000011](#) [2673045901](#) [2643083601](#) [2643074901](#) [4361142521](#)
[4078078621](#) [4078044821](#) [4078033621](#) [CZB2BFTTE121P](#) [BMB2A0120AN2](#) [BMB1J0200BN3JIT](#) [EMI0805R-220](#) [74279250](#) [7427924](#)
[CZB1JGTTD202P](#) [MAF0603GWY551AT000](#) [MAF1005GWZ102AT000](#) [BLM18HE152SH1D](#) [2944778302](#) [BLM02PX600SN1D](#) [SMB2.5-1](#)
[EMI1206R-600](#) [BLM02KX180SN1D](#) [BLM02BC100SN1D](#) [BLM02KX100SN1D](#) [BLM02BB101SN1D](#) [BLM02BC220SN1D](#)
[BLE32PN260SH1L](#) [BLE32PN260SN1L](#) [BLE32PN260SZ1L](#) [74275013](#) [7427503](#) [BLM18HE601SH1D](#) [BLM15BD152SN1D](#)
[BLM15BD152SZ1D](#) [BLE18PS080SZ1D](#) [BLM21PG221BH1D](#) [WLBD1005HCU330TL](#) [BLM21AG471BH1D](#) [BLE18PS080BH1D](#)
[BLM21AG331BH1D](#) [BLM21PG300BH1D](#) [BLM21PG600BH1D](#) [BLM03HB401SZ1D](#) [BLM03HB401SN1D](#)