



ISO9001 ISO14001 IATF16949 CHILISIN ELECTRONICS CORP.

RoHS & Halogen Free & REACH Compliance.

## SPECIFICATION FOR APPROVAL

Customer : \_\_\_\_\_

Customer P/N: \_\_\_\_\_

Drawing No : \_\_\_\_\_

Quantity : 0 Pcs. Date : 2020/06/15

Chilisin P/N : PS1008-100K-N

SPECIFICATION ACCEPTED BY:	
COMPONENT ENGINEER	
ELECTRICAL ENGINEER	
MECHANICAL ENGINEER	
APPROVED	
REJECTED	

**奇力新電子股份有限公司**  
Chilisin Electronics Corp  
No. 29, Alley 301, Tehhsin Rd.,  
Hukou, Hsinchu 303, Taiwan  
TEL : +886-3- 599-2646  
FAX : +886-3- 599-9176  
E-mail : sales@chilisin.com  
http : //www.chilisin.com

**東莞奇力新電子(東莞廠)有限公司**  
Chilisin Electronics (Dongguan) Co., Ltd.  
No. 78, Puxing Rd., Yuliangwei Administration Area,  
Qingxi Town, Dongguan City, Guangdong, China  
TEL : +86-769-8773-0251~3  
FAX : +86-769-8773-0232  
E-mail : cect@chilisin.com

**奇力新電子(越南廠)有限公司**  
Chilisin Electronics (Vietnam) Limited  
No 143 - 145, Road No 10, VSIP Hai Phong,  
Lap Le Commune, Thuy Nguyen Dist,  
Haiphong City, Vietnam  
Tel : 84-316 255 688 Fax : 84-316 255  
689  
E-mail : sales@chilisin.com

**奇力新電子(湖南廠)有限公司**  
HuNan Chilisin Electronics Technology Co., Ltd  
No. 8, Shaziao Liangshuijing Town, Yuanling  
County, Huaihua City, Hunan Province 419601,  
China  
Tel : 86-745-867-5882  
E-mail : cect@chilisin.com

Drawn by  
**陳瑞揚 ryan.chen**

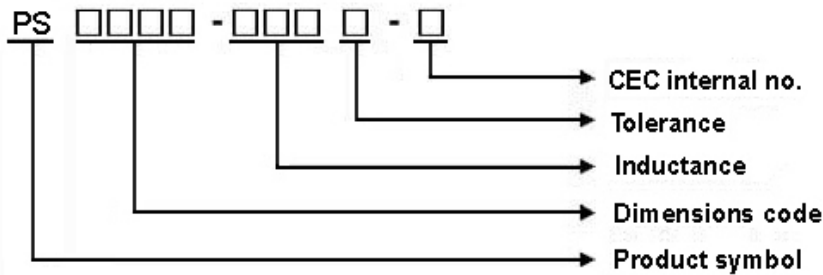
Checked by  
**陳秋霞 candy.chen**

Approved by  
**邱明傑 Joseph.Chiu**

# PS1008 Series Specification

**1 Scope:** This specification applies to Wire Wound Power Chip Inductors

**2 Part Numbering:**



**3 Rating:**

Operating Temperature:  $-40^{\circ}\text{C} \sim 105^{\circ}\text{C}$  (Including self - temperature rise)

Storage Temperature:  $20^{\circ}\text{C} \sim 25^{\circ}\text{C}$  R.H. 65% (In Tape & Reel Condition)

**4 Marking:**

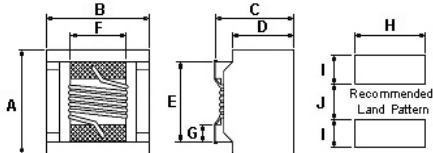
No Marking

**5 Standard Testing Condition**

	Unless otherwise specified	In case of doubt
Temperature	Ordinary Temperature(15 to 35°C)	20 to 30°C
Humidity	Ordinary Humidity(25 to 85% RH)	50 to 80 %RH

## PS1008 Series Specification

### 6 Configuration and Dimensions:



Dimensions in mm

TYPE	A	B	C	D	E	F	G	H	I	J	
PS1008	3.81 Max.	3.81 Max.	2.94 Max.	3.05 Max.	2.2	2.54	2.03	0.51	2.54	1.02	1.27

Note: C=> 2.94 Max. mm at 1R0-331 / 561-102

C=> 3.05 Max. mm at 471

### 7 Electrical Characteristics:

Part No.	Inductance (uH)	L/Q Test Freq. (MHZ)	Q Typ.	SRF (MHZ)Typ.	RDC (Ω)Max.	IDC (A)	Tolerance (±%)
PS1008-1R0□-N	1	0.1/1	26	344	0.05	3	20,10
PS1008-1R5□-N	1.5	0.1/1	26	260	0.08	2.8	20,10
PS1008-1R8□-N	1.8	0.1/1	28	225	0.09	2.1	20,10
PS1008-2R2□-N	2.2	0.1/1	30	228	0.14	1.5	20,10
PS1008-2R7□-N	2.7	0.1/1	30	185	0.14	1.5	20,10
PS1008-3R9□-N	3.9	0.1/1	30	172	0.29	1.2	20,10
PS1008-4R7□-N	4.7	0.1/1	30	157	0.35	1.1	20,10
PS1008-5R6□-N	5.6	0.1/1	30	150	0.39	1.1	20,10
PS1008-6R8□-N	6.8	0.1/1	30	110	0.58	0.9	20,10
PS1008-100□-N	10	0.1/1	30	95	0.75	0.82	20,10
PS1008-150□-N	15	0.1/1	30	75	1.15	0.7	20,10
PS1008-220□-N	22	0.1/1	33	30	1.4	0.65	20,10
PS1008-330□-N	33	0.1/1	33	21	1.61	0.52	20,10
PS1008-390□-N	39	0.1/1	33	18	1.85	0.46	20,10
PS1008-470□-N	47	0.1/1	33	15	2.2	0.43	20,10
PS1008-680□-N	68	0.1/1	33	12	3.8	0.33	20,10
PS1008-820□-N	82	0.1/1	33	10	4.3	0.32	20,10
PS1008-101□-N	100	0.1/1	33	8	4.8	0.31	20,10
PS1008-121□-N	120	0.1/1	33	8	5	0.25	20,10
PS1008-151□-N	150	0.1/1	33	5.8	6.5	0.24	20,10
PS1008-221□-N	220	0.1/1	33	5.5	12	0.22	20,10
PS1008-331□-N	330	0.1/1	33	3.8	17	0.2	20,10
PS1008-471□-N	470	0.1/1	33	3.1	19	0.16	20,10
PS1008-561□-N	560	0.1/1	33	2.8	18.4	0.13	20,10
PS1008-681□-N	680	0.1/1	33	2.5	24	0.12	20,10

NOTE: □-tolerance K=±10% / M=±20%

1. Operating temperature range - 40 °C ~ 105 °C (Including self - temperature rise)

2. L/Q Test OSC @100mV.

3. IDC for Inductance drop 10% from its value without current.

"-N" FOR COMPLETELY LEAD FREE TYPE (INCLUDING FERRITE BODY & SOLDER)



ISO9001 ISO14001 IATF16949 CHILISIN ELECTRONICS CORP.

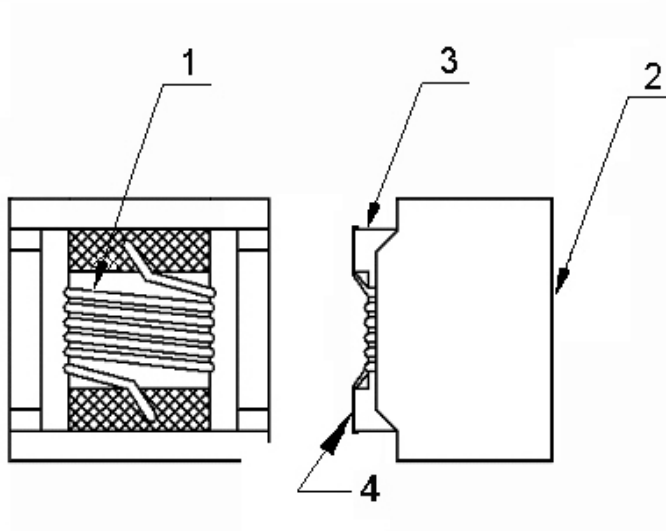
## PS1008 Series Specification

Part No.	Inductance ( $\mu$ H)	L/Q Test Freq. (MHZ)	Q Typ.	SRF (MHZ)Typ.	RDC ( $\Omega$ )Max.	IDC (A)	Tolerance ( $\pm$ %)
PS1008-821□-N	820	0.1/1	23	2	26	0.1	20,10
PS1008-102□-N	1000	0.1/1	20	1.5	29.2	0.1	20,10

## PS1008 Series Specification

### 8 PS1008 Series

#### 8.1 Construction:



#### 8.2 Material List:

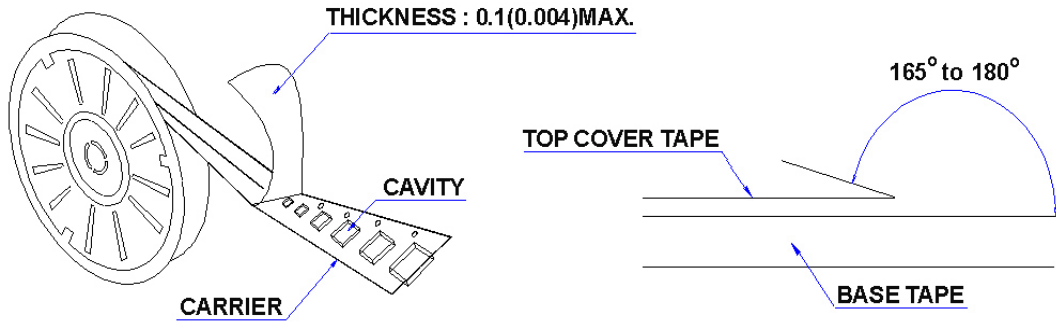
No	Part	Material
1	WIRE	Grade 180
2	Cover sheet	FERRITE
3	CORE	FERRITE
4	TERMINAL	Ag/Cu/Ni/Sn

# PS1008 Series Specification

## 9 Packaging:

### 9.1 Packaging -Cover Tape

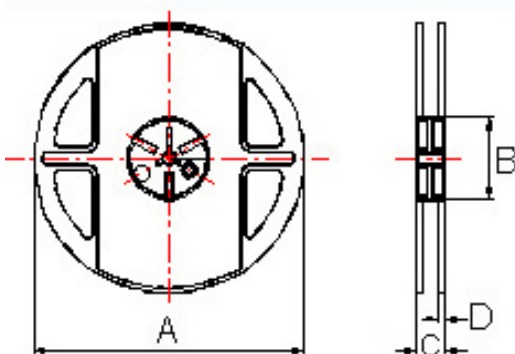
The force for tearing off cover tape is 10 to 130 grams in the arrow direction.



### 9.2 Packaging Quantity

TYPE	PCS/REEL
PS1008	750

### 9.3 Reel Dimensions



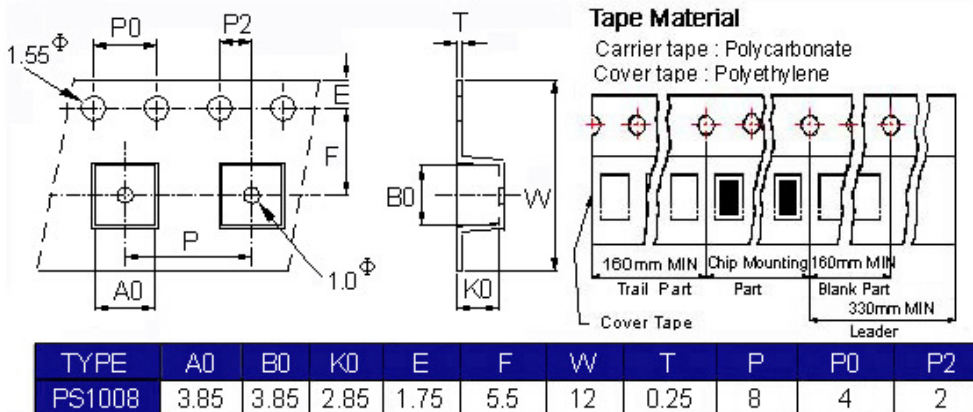
Dimensions in mm

TYPE	A	B	C	D
PS1008	178	60.2	16	1.4

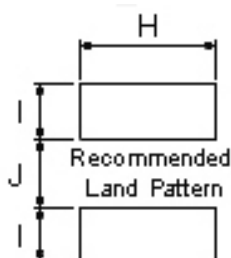
## PS1008 Series Specification

### 9 Packaging:

#### 9.4 Tape Dimensions in mm



### 10 Recommended Land Pattern:



Dimensions in mm

TYPE	H(in/mm)	I(in/mm)	J(in/mm)
PS 1008	0.10/2.54	0.04/1.02	0.05/1.27

### 11 Note:

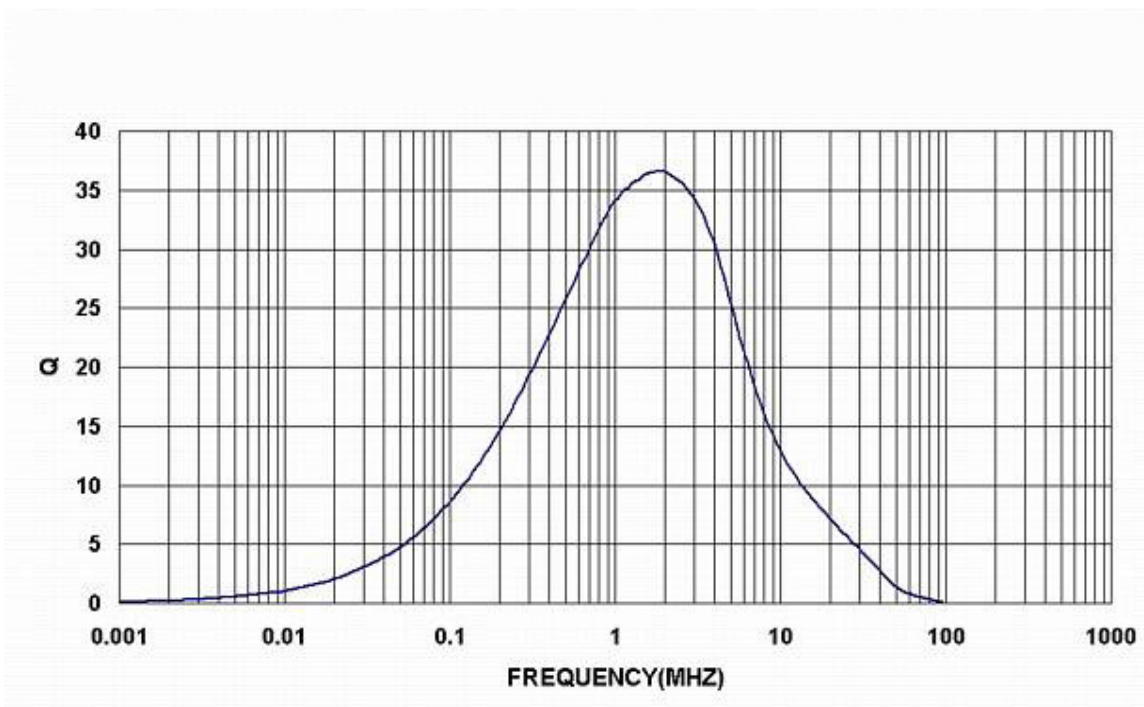
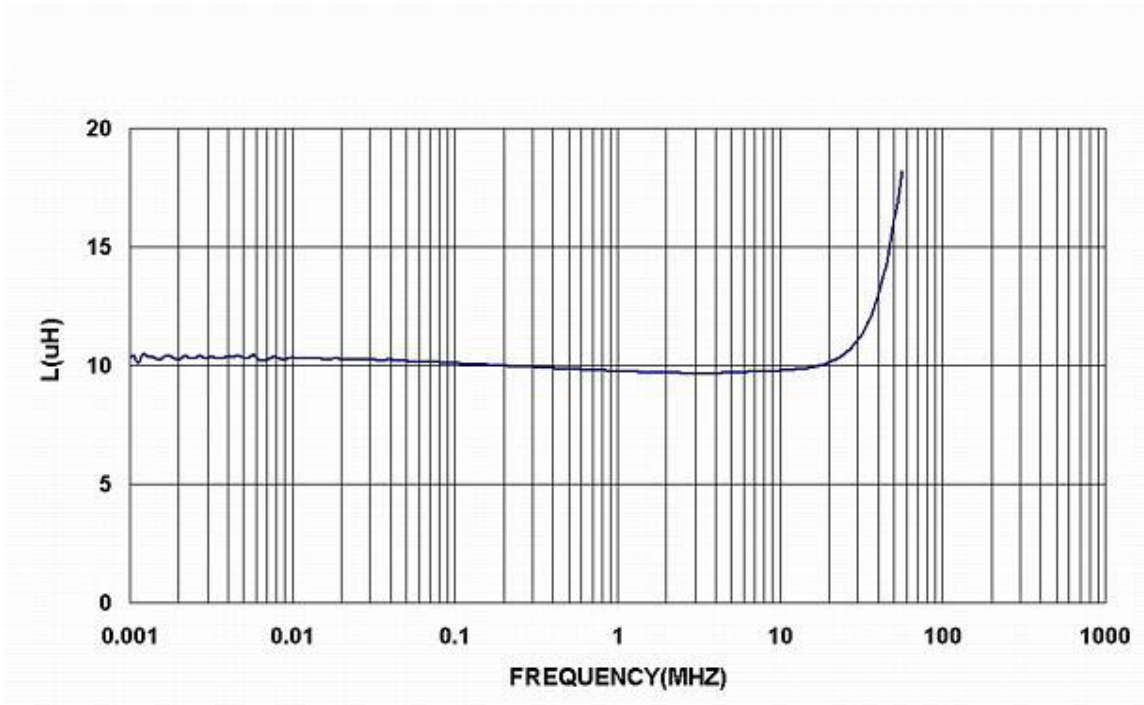
1. Please make sure that your product has been evaluated and confirmed against your specifications when our product is mounted to your product.
2. Do not knock nor drop.
3. All the items and parameters in this product specification have been prescribed on the premise that our product is used for the purpose, under the condition and in the environment agreed upon between you and us. You are requested not to use our product deviating from such agreement.
4. Please keep the distance between transformer/coil and other components (refer to the standard IEC 950)
5. The moisture sensitivity level (MSL) of products is classified as level 1.



ISO9001 ISO14001 IATF16949 CHILISIN ELECTRONICS CORP.

# PS1008 Series Specification

12 Graph: PS1008-100K-N





## X-ON Electronics

Largest Supplier of Electrical and Electronic Components

*Click to view similar products for [Fixed Inductors](#) category:*

*Click to view products by [Chilisin](#) manufacturer:*

Other Similar products are found below :

[CR32NP-100KC](#) [70F224AI](#) [MHQ1005P10NJ](#) [MHQ1005P1N0S](#) [MHQ1005P2N4S](#) [MHQ1005P3N6S](#) [MHQ1005P5N1S](#) [MHQ1005P8N2J](#)  
[PE-53601NL](#) [PE-53602NL](#) [PG0936.113NLT](#) [9220-20](#) [9310-16](#) [PM06-2N7](#) [PM06-39NJ](#) [A01TK](#) [1206CS-471XJ](#) [HC2-R47-R](#) [HC8-1R2-R](#)  
[HCF1305-3R3-R](#) [1206CS-151XG](#) [RCH664NP-4R7M](#) [RCP1317NP-391L](#) [DH2280-4R7M](#) [DS1608C-106](#) [B10TJ](#) [B82498B3101J000](#) [ELJ-](#)  
[RE27NJF2](#) [1812CS-153XJ](#) [1812CS-183XJ](#) [1812CS-223XJ](#) [1812LS-104XJ](#) [1812LS-105XJ](#) [1812LS-124XJ](#) [1812LS-154XJ](#) [1812LS-223XJ](#)  
[1812LS-224XJ](#) [1812LS-563XJ](#) [1812LS-683XJ](#) [1812LS-824XJ](#) [NIN-FB101JTR110F](#) [NIN-FB471JTR62F](#) [NIN-FC1R5JTR220F](#) [NIN-](#)  
[HCR15JTRF](#) [NIN-HCR33JTRF](#) [NIN-HDR22JTRF](#) [NIN-HDR82JTRF](#) [NIN-HK2N7STRF](#) [NIN-PA150KTR370F](#) [NIN-PB100KTR550F](#)