



ISO9001 ISO14001 IATF16949 CHILISIN ELECTRONICS CORP.

RoHS & Halogen Free & REACH Compliance.

SPECIFICATION FOR APPROVAL

Customer : 各廠家

Customer P/N:

Drawing No :

Quantity : 0 Pcs. Date : 2019/09/12

Chilisin P/N : SCD0705T-331M-N

SPECIFICATION ACCEPTED BY:	
COMPONENT ENGINEER	
ELECTRICAL ENGINEER	
MECHANICAL ENGINEER	
APPROVED	
REJECTED	

奇力新電子股份有限公司
Chilisin Electronics Corp
No. 29, Alley 301, Tehhsin Rd.,
Hukou, Hsinchu 303, Taiwan
TEL : +886-3- 599-2646
FAX : +886-3- 599-9176
E-mail : sales@chilisin.com
http : //www.chilisin.com

東莞奇力新電子(東莞廠)有限公司
Chilisin Electronics (Dongguan) Co., Ltd.
No. 78, Puxing Rd., Yuliangwei Administration Area,
Qingxi Town, Dongguan City, Guangdong, China
TEL : +86-769-8773-0251~3
FAX : +86-769-8773-0232
E-mail : cect@chilisin.com

奇力新電子(越南廠)有限公司
Chilisin Electronics (Vietnam) Limited
No 143 - 145, Road No 10, VSIP Hai Phong,
Lap Le Commune, Thuy Nguyen Dist,
Haiphong City, Vietnam
Tel : 84-316 255 688 Fax : 84-316 255
689
E-mail : sales@chilisin.com

奇力新電子(湖南廠)有限公司
HuNan Chilisin Electronics Technology Co., Ltd
No. 8, Shaziao Liangshuijing Town, Yuanling
County, Huaihua City, Hunan Province 419601,
China
Tel : 86-745-867-5882
E-mail : cect@chilisin.com

Drawn by
陳瑞揚 ryan.chen

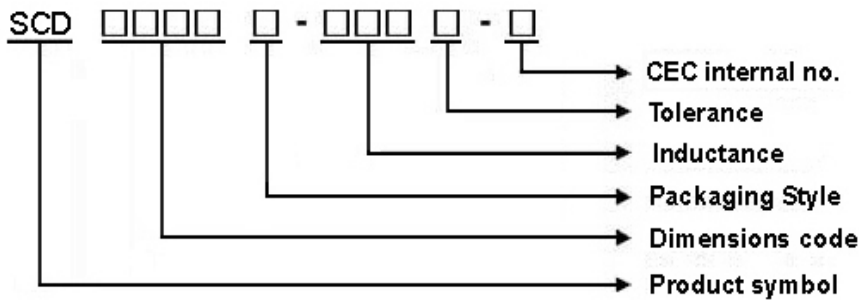
Checked by
吳振賢 lcn07

Approved by
陳瑞揚 ryan.chen

SCD0705T Series Specification

1 Scope: This specification applies to SMD Unshielded Power Choke

2 Part Numbering:

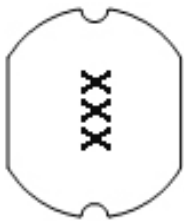


3 Rating:

Operating Temperature: $-40^{\circ}\text{C} \sim 105^{\circ}\text{C}$ (Including self - temperature rise)

Storage Temperature: $20^{\circ}\text{C} \sim 25^{\circ}\text{C}$ R.H. 65% (In Tape & Reel Condition)

4 Marking:



Ex : SCD□□□□T-100M-N

Marking : 100

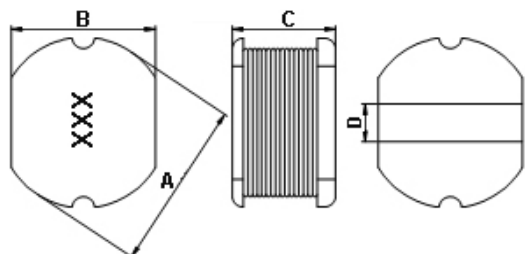
Marking color : Black

5 Standard Testing Condition

	Unless otherwise specified	In case of doubt
Temperature	Ordinary Temperature(15 to 35°C)	20 to 30°C
Humidity	Ordinary Humidity(25 to 85% RH)	50 to 80 %RH

SCD0705T Series Specification

6 Configuration and Dimensions:



Dimensions in mm

TYPE	SCD0705
A	7.8±0.3
B	7.0±0.3
C	5.0±0.3
D	2.1

7 Electrical Characteristics:

Part No.	Inductance (uH)	Test Freq.	RDC (Ω)Max.	Isat (A)	Tolerance (±%)	Marking
SCD0705T-1R4□-N	1.4	7.96 MHz,1 V	0.02	3.7	20	1R4
SCD0705T-1R5□-N	1.5	7.96 MHz,1 V	0.02	3.7	20	1R5
SCD0705T-1R8□-N	1.8	7.96 MHz,1 V	0.02	3.7	20	1R8
SCD0705T-2R2□-N	2.2	7.96 MHz,1 V	0.02	3.7	20	2R2
SCD0705T-2R7□-N	2.7	7.96 MHz,1 V	0.02	3.7	20	2R7
SCD0705T-3R0□-N	3	7.96 MHz,1 V	0.025	3.7	20	3R0
SCD0705T-3R3□-N	3.3	7.96 MHz,1 V	0.03	3.7	20	3R3
SCD0705T-3R6□-N	3.6	7.96 MHz,1 V	0.03	3.7	20	3R6
SCD0705T-3R9□-N	3.9	7.96 MHz,1 V	0.03	3.7	20	3R9
SCD0705T-4R7□-N	4.7	7.96 MHz,1 V	0.04	3.5	10,20	4R7
SCD0705T-5R6□-N	5.6	7.96 MHz,1 V	0.04	3.3	20	5R6
SCD0705T-6R8□-N	6.8	7.96 MHz,1 V	0.04	3.1	20	6R8
SCD0705T-8R2□-N	8.2	7.96 MHz,1 V	0.05	2.7	20	8R2
SCD0705T-100□-N	10	2.52 MHz,1 V	0.07	2.3	10,20	100
SCD0705T-120□-N	12	2.52 MHz,1 V	0.08	2	20	120
SCD0705T-150□-N	15	2.52 MHz,1 V	0.09	1.8	10,20	150
SCD0705T-180□-N	18	2.52 MHz,1 V	0.1	1.6	20	180
SCD0705T-220□-N	22	2.52 MHz,1 V	0.11	1.5	10,20	220
SCD0705T-270□-N	27	2.52 MHz,1 V	0.12	1.3	20	270
SCD0705T-330□-N	33	2.52 MHz,1 V	0.13	1.2	10,20	330
SCD0705T-390□-N	39	2.52 MHz,1 V	0.16	1.1	10,20	390
SCD0705T-470□-N	47	2.52 MHz,1 V	0.18	1.1	10,20	470
SCD0705T-560□-N	56	2.52 MHz,1 V	0.24	0.94	10,20	560
SCD0705T-680□-N	68	2.52 MHz,1 V	0.28	0.85	10,20	680
SCD0705T-820□-N	82	2.52 MHz,1 V	0.37	0.78	10,20	820

NOTE: □-tolerance K=±10% / M=±20%

1. Operating temperature range - 40 °C ~ 105 °C (Including self - temperature rise)

2. Isat for Inductance drop 10% from its value without current.

"-N" FOR COMPLETELY LEAD FREE TYPE (INCLUDING FERRITE BODY & SOLDER)



ISO9001 ISO14001 IATF16949 CHILISIN ELECTRONICS CORP.

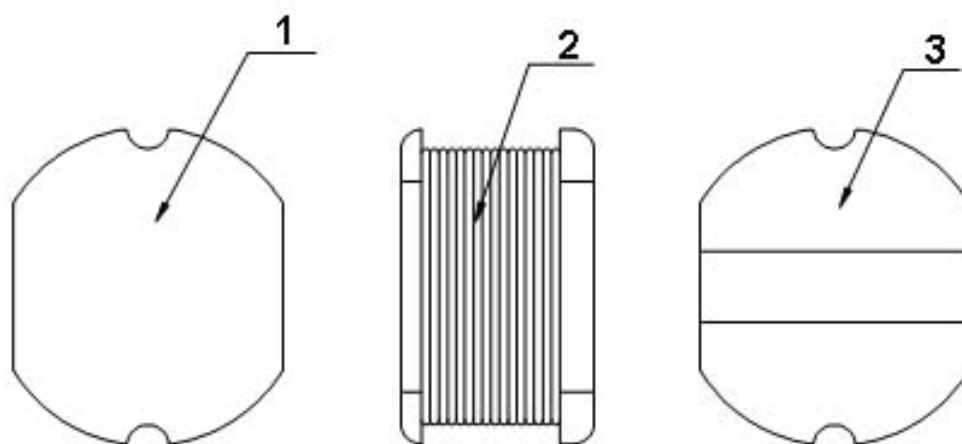
SCD0705T Series Specification

Part No.	Inductance (μ H)	Test Freq.	RDC (Ω)Max.	Isat (A)	Tolerance (\pm %)	Marking
SCD0705T-101□-N	100	1 kHz,1 V	0.43	0.72	10,20	101
SCD0705T-121□-N	120	1 kHz,1 V	0.47	0.66	10,20	121
SCD0705T-151□-N	150	1 kHz,1 V	0.64	0.58	10,20	151
SCD0705T-181□-N	180	1 kHz,1 V	0.71	0.51	10,20	181
SCD0705T-221□-N	220	1 kHz,1 V	0.96	0.49	10,20	221
SCD0705T-271□-N	270	1 kHz,1 V	1.11	0.42	10,20	271
SCD0705T-331□-N	330	1 kHz,1 V	1.26	0.4	10,20	331
SCD0705T-391□-N	390	1 kHz,1 V	1.77	0.36	10,20	391
SCD0705T-471□-N	470	1 kHz,1 V	1.96	0.34	10,20	471
SCD0705T-561□-N	560	1 kHz,1 V	2.41	0.32	10,20	561
SCD0705T-681□-N	680	1 kHz,1 V	2.5	0.29	10,20	681
SCD0705T-102□-N	1000	1 kHz,1 V	2.8	0.19	10,20	102

SCD0705T Series Specification

8 SCD0705T Series

8.1 Construction:



8.2 Material List:

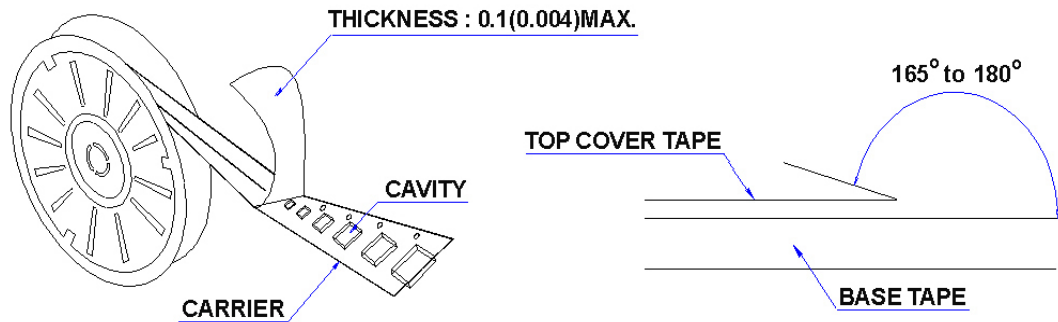
No	Part	Material
1	CORE	FERRITE
2	WIRE	MAGNET WIRE
3	TERMINAL	Ag/Ni/Sn

SCD0705T Series Specification

9 Packaging:

9.1 Packaging -Cover Tape

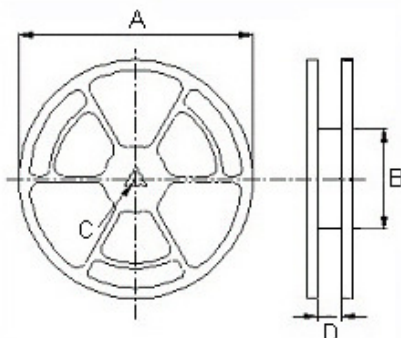
The force for tearing off cover tape is 10 to 130 grams in the arrow direction.



9.2 Packaging Quantity

TYPE	PCS/REEL
SCD0403	2000
SCD0504	1500
SCD0703	1000
SCD0705	700
SCD1004	700
SCD1005	700

9.3 Reel Dimensions



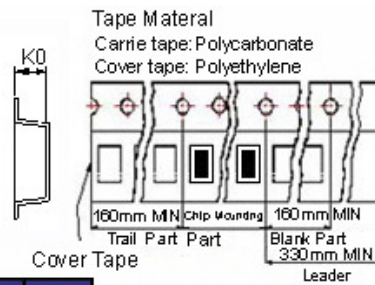
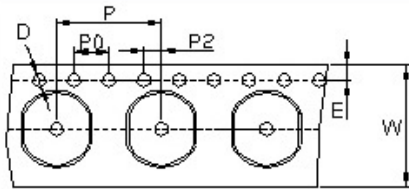
Dimensions in mm

TYPE	A	B	C	D
SCD0403	330	100	13	13.4
SCD0504	330	100	13	16.0
SCD0703	330	100	13	16.0
SCD0705	330	100	13	16.0
SCD1004	330	100	13	24.4
SCD1005	330	100	13	24.4

SCD0705T Series Specification

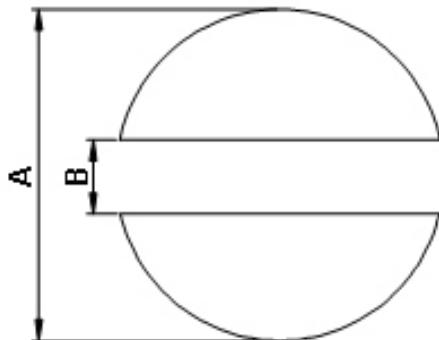
9 Packaging:

9.4 Tape Dimensions in mm



TYPE	K0	D	E	W	P	P0	P2
SCD0403	3.55	1.55	1.75	12	8	4	2
SCD0504	4.80	1.55	1.75	16	8	4	2
SCD0703	3.80	1.55	1.75	16	12	4	2
SCD0705	5.20	1.55	1.75	16	12	4	2
SCD1004	4.50	1.55	1.75	24	12	4	2
SCD1005	5.80	1.55	1.75	24	12	4	2

10 Recommended Land Pattern:



Dimensions in mm

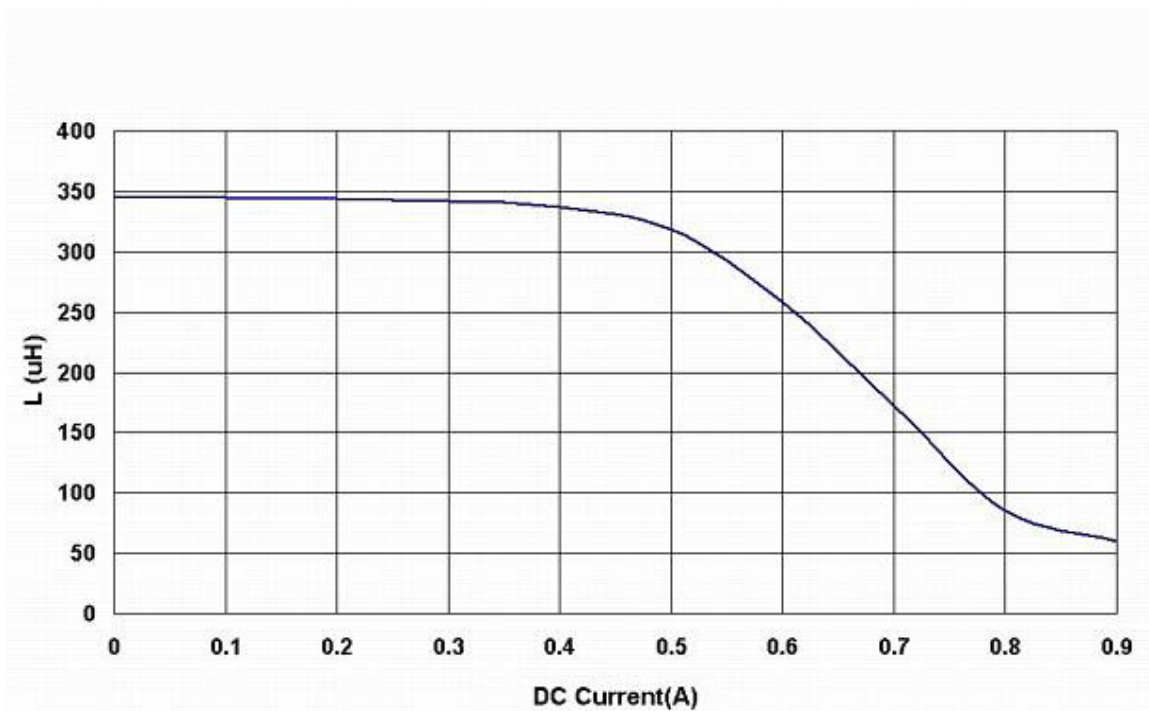
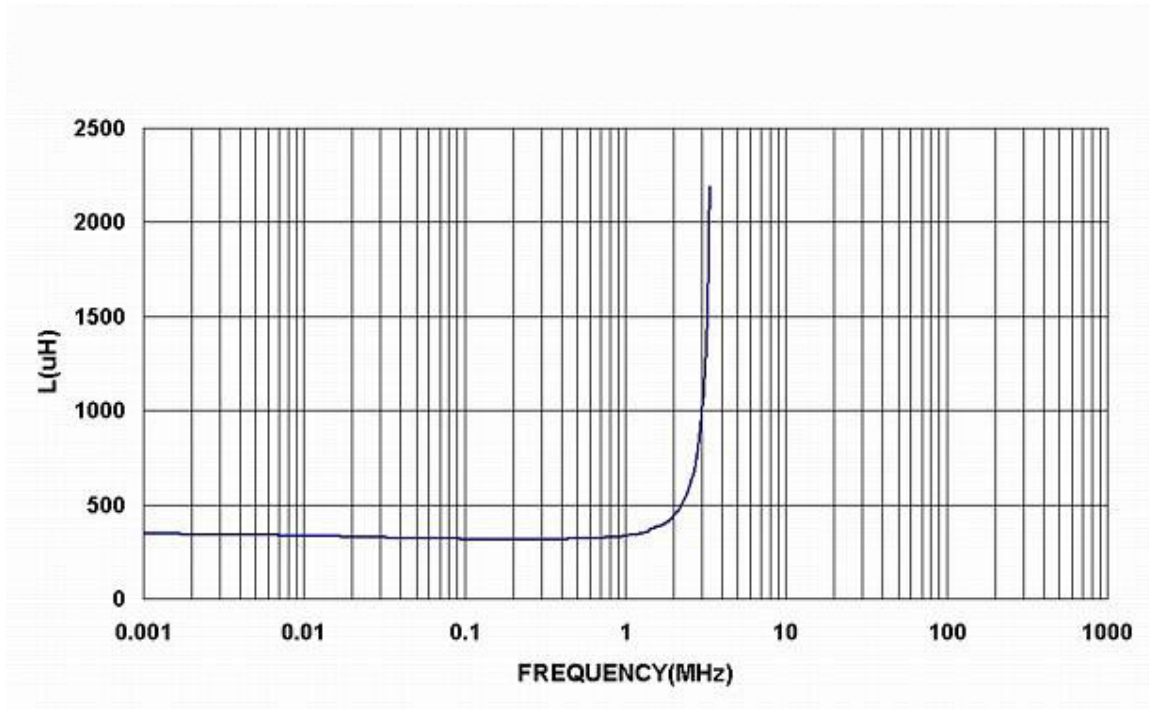
TYPE	A	B
SCD0705	8.8	2.1

11 Note:

1. Please make sure that your product has been evaluated and confirmed against your specifications when our product is mounted to your product.
2. Do not knock nor drop.
3. All the items and parameters in this product specification have been prescribed on the premise that our product is used for the purpose, under the condition and in the environment agreed upon between you and us. You are requested not to use our product deviating from such agreement.
4. Please keep the distance between transformer/coil and other components (refer to the standard IEC 950)
5. The moisture sensitivity level (MSL) of products is classified as level 1.

SCD0705T Series Specification

12 Graph: SCD0705T-331M-N



X-ON Electronics

Largest Supplier of Electrical and Electronic Components

Click to view similar products for [Fixed Inductors](#) category:

Click to view products by [Chilisin](#) manufacturer:

Other Similar products are found below :

[CR32NP-100KC](#) [70F224AI](#) [MHQ1005P10NJ](#) [MHQ1005P1N0S](#) [MHQ1005P2N4S](#) [MHQ1005P3N6S](#) [MHQ1005P5N1S](#) [MHQ1005P8N2J](#)
[PE-53601NL](#) [PE-53602NL](#) [PG0936.113NLT](#) [9220-20](#) [9310-16](#) [PM06-2N7](#) [PM06-39NJ](#) [A01TK](#) [1206CS-471XJ](#) [HC2-R47-R](#) [HC8-1R2-R](#)
[HCF1305-3R3-R](#) [1206CS-151XG](#) [RCH664NP-4R7M](#) [RCP1317NP-391L](#) [DH2280-4R7M](#) [DS1608C-106](#) [B10TJ](#) [B82498B3101J000](#) [ELJ-](#)
[RE27NJF2](#) [1812CS-153XJ](#) [1812CS-183XJ](#) [1812CS-223XJ](#) [1812LS-104XJ](#) [1812LS-105XJ](#) [1812LS-124XJ](#) [1812LS-154XJ](#) [1812LS-223XJ](#)
[1812LS-224XJ](#) [1812LS-563XJ](#) [1812LS-683XJ](#) [1812LS-824XJ](#) [NIN-FB101JTR110F](#) [NIN-FB471JTR62F](#) [NIN-FC1R5JTR220F](#) [NIN-](#)
[HCR15JTRF](#) [NIN-HCR33JTRF](#) [NIN-HDR22JTRF](#) [NIN-HDR82JTRF](#) [NIN-HK2N7STRF](#) [NIN-PA150KTR370F](#) [NIN-PB100KTR550F](#)