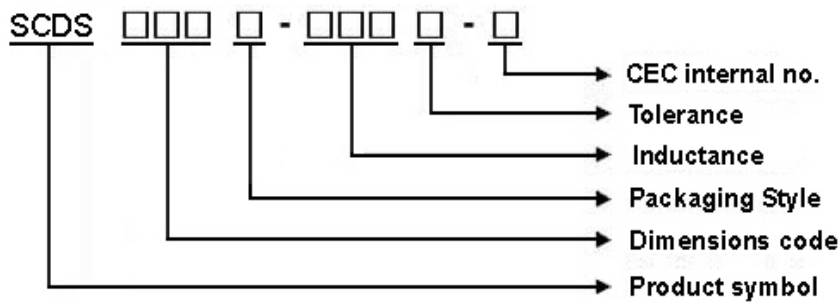




# SCDS124T Series Specification

**1 Scope:** This specification applies to SMD Shielded Power Choke

**2 Part Numbering:**



**3 Rating:**

Operating Temperature:  $-40^{\circ}\text{C} \sim 105^{\circ}\text{C}$  (Including self - temperature rise)

Storage Temperature:  $20^{\circ}\text{C} \sim 25^{\circ}\text{C}$  R.H. 65% (In Tape & Reel Condition)

**4 Marking:**



**Ex: SCDS124T-100M-N**

**Marking: 100**

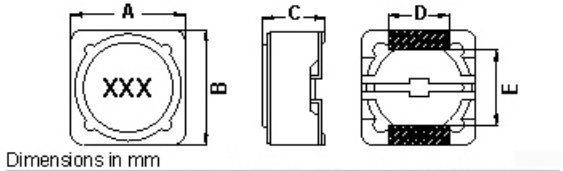
**Marking color : Black**

**5 Standard Testing Condition**

	Unless otherwise specified	In case of doubt
Temperature	Ordinary Temperature(15 to 35°C)	20 to 30°C
Humidity	Ordinary Humidity(25 to 85% RH)	50 to 80 %RH

## SCDS124T Series Specification

### 6 Configuration and Dimensions:



Dimensions in mm

TYPE	A	B	C	D	E
SCDS124	12.5 Max.	12.5 Max.	4.5 Max.	5	7.6

### 7 Electrical Characteristics:

Part No.	Inductance (uH)	Test Freq.	RDC (Ω)Max.	Isat (A)	Tolerance	Marking
SCDS124T-3R3□-N	3.3	100 kHz, 1 V	0.015	6.5	M	3R3
SCDS124T-3R9□-N	3.9	100 kHz, 1 V	0.015	6.5	M	3R9
SCDS124T-4R7□-N	4.7	100 kHz, 1 V	0.018	5.7	M	4R7
SCDS124T-6R8□-N	6.8	100 kHz, 1 V	0.023	4.9	M	6R8
SCDS124T-100□-N	10	100 kHz, 1 V	0.028	4.5	M	100
SCDS124T-120□-N	12	100 kHz, 1 V	0.038	4	M	120
SCDS124T-150□-N	15	100 kHz, 1 V	0.05	3.2	M	150
SCDS124T-180□-N	18	100 kHz, 1 V	0.057	3.1	M	180
SCDS124T-220□-N	22	100 kHz, 1 V	0.066	2.9	M	220
SCDS124T-270□-N	27	100 kHz, 1 V	0.08	2.8	M	270
SCDS124T-330□-N	33	100 kHz, 1 V	0.097	2.7	M	330
SCDS124T-390□-N	39	100 kHz, 1 V	0.132	2.1	M	390
SCDS124T-470□-N	47	100 kHz, 1 V	0.15	1.9	M	470
SCDS124T-560□-N	56	100 kHz, 1 V	0.19	1.8	M	560
SCDS124T-680□-N	68	100 kHz, 1 V	0.22	1.5	M	680
SCDS124T-820□-N	82	100 kHz, 1 V	0.26	1.3	M	820
SCDS124T-101□-N	100	100 kHz, 1 V	0.308	1.2	M	101
SCDS124T-121□-N	120	100 kHz, 1 V	0.38	1.1	M	121
SCDS124T-151□-N	150	100 kHz, 1 V	0.53	0.95	M	151
SCDS124T-181□-N	180	100 kHz, 1 V	0.62	0.85	M	181
SCDS124T-221□-N	220	100 kHz, 1 V	0.7	0.8	M	221
SCDS124T-271□-N	270	100 kHz, 1 V	0.876	0.6	M	271
SCDS124T-331□-N	330	100 kHz, 1 V	0.99	0.5	M	331

**NOTE:** □-tolerance M=±20%

1. Operating temperature range - 40 °C ~ 105 °C (Including self - temperature rise)

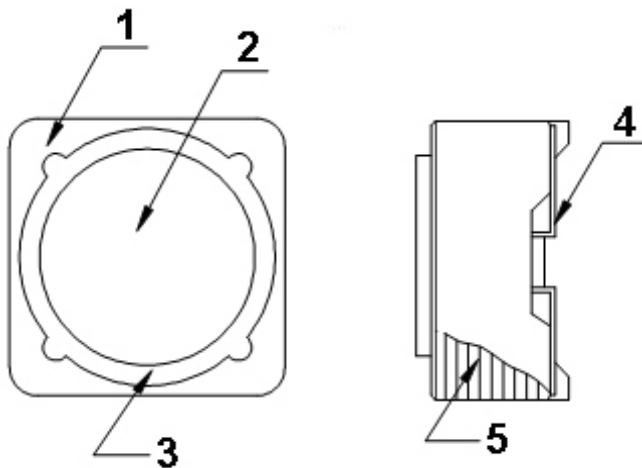
2. Isat for Inductance drop 35% from its value without current.

"-N" FOR COMPLETELY LEAD FREE TYPE (INCLUDING FERRITE BODY & SOLDER)

# SCDS124T Series Specification

## 8 SCDS124T Series

### 8.1 Construction:



### 8.2 Material List:

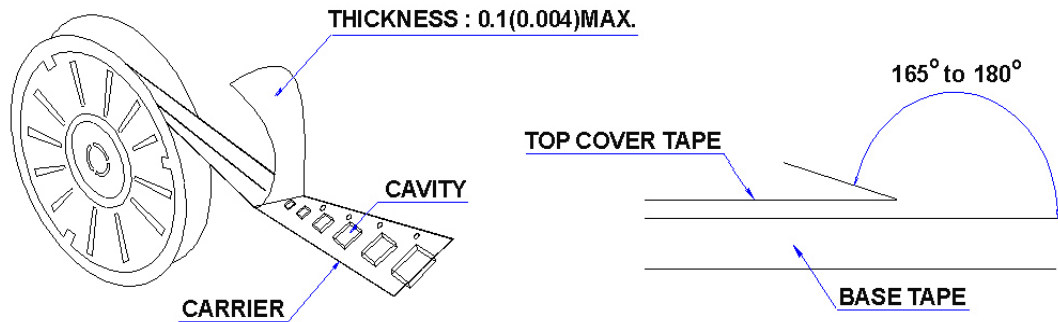
No	Part	Material
1	CORE	FERRITE
2	CORE	FERRITE
3	EPOXY	
4	TERMINAL	TERMINAL COPPER
5	WIRE	MAGNET WIRE

# SCDS124T Series Specification

## 9 Packaging:

### 9.1 Packaging -Cover Tape

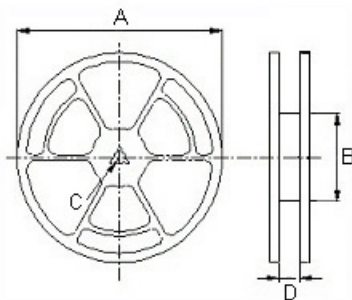
The force for tearing off cover tape is 10 to 130 grams in the arrow direction.



### 9.2 Packaging Quantity

TYPE	PCS/REEL
SCDS73	1600
SCDS74	1000
SCDS124	500
SCDS125	600
SCDS127	500

### 9.3 Reel Dimensions



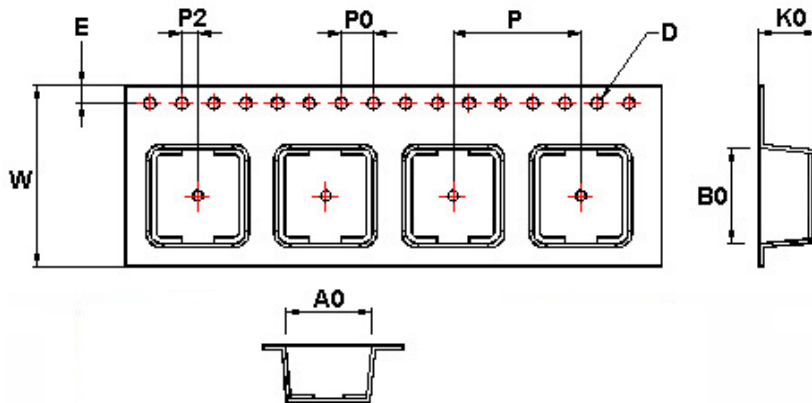
Dimensions in mm

TYPE	A	B	C	D
SCDS73	330	100	13	16.0
SCDS74	330	100	13	16.0
SCDS124	330	100	13	24.4
SCDS125	330	100	13	24.4
SCDS127	330	100	13	24.4

## SCDS124T Series Specification

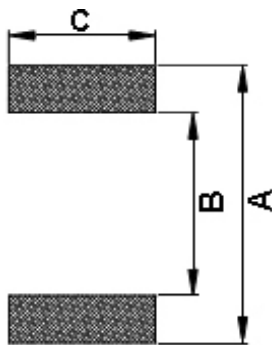
### 9 Packaging:

#### 9.4 Tape Dimensions in mm



TYPE	A0	B0	K0	D	E	W	P	P0	P2
SCDS124	13.0	12.8	5.1	1.55	1.75	24	16	4	2

### 10 Recommended Land Pattern:



Dimensions in mm

TYPE	A	B	C
SCDS124	13	7.0	5.4
SCDS125	13	7.0	5.4
SCDS127	13	7.0	5.4

### 11 Note:

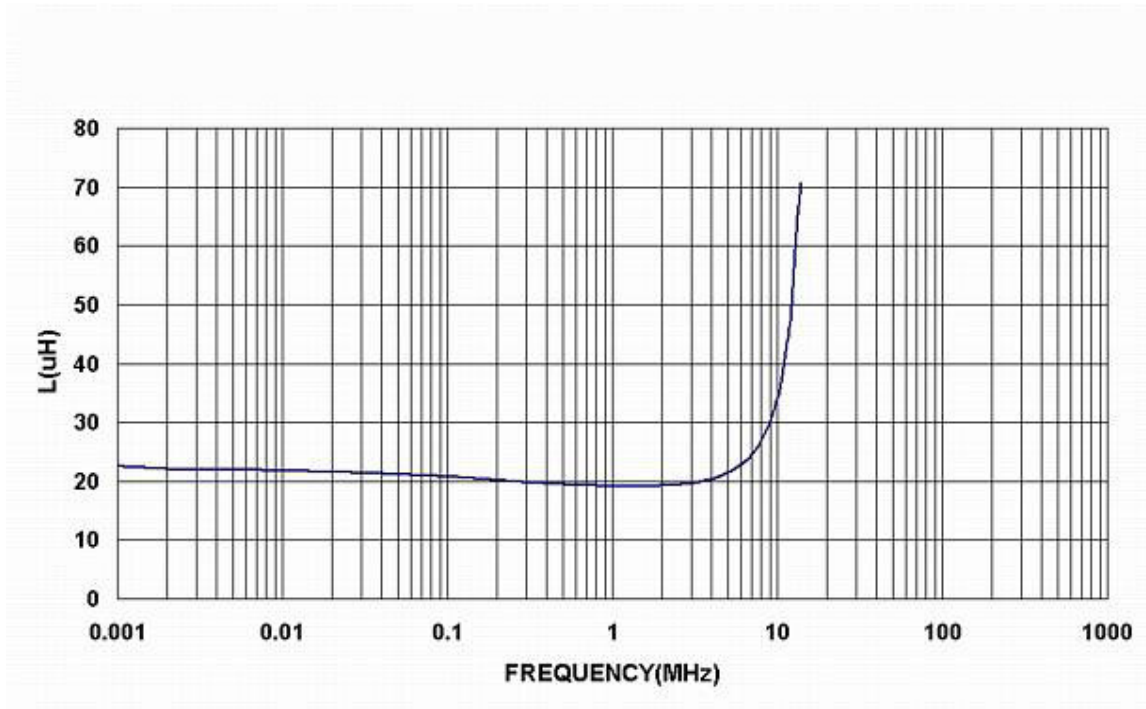
1. Please make sure that your product has been evaluated and confirmed against your specifications when our product is mounted to your product.
2. Do not knock nor drop.
3. All the items and parameters in this product specification have been prescribed on the premise that our product is used for the purpose, under the condition and in the environment agreed upon between you and us. You are requested not to use our product deviating from such agreement.
4. Please keep the distance between transformer/coil and other components (refer to the standard IEC 950)
5. The moisture sensitivity level (MSL) of products is classified as level 1.



ISO9001 ISO14001 IATF16949 CHILISIN ELECTRONICS CORP.

# SCDS124T Series Specification

12 Graph: SCDS124T-220M-N



## X-ON Electronics

Largest Supplier of Electrical and Electronic Components

*Click to view similar products for [Fixed Inductors](#) category:*

*Click to view products by [Chilisin](#) manufacturer:*

Other Similar products are found below :

[CR32NP-151KC](#) [CR32NP-180KC](#) [CR32NP-181KC](#) [CR32NP-1R5MC](#) [CR32NP-390KC](#) [CR32NP-3R9MC](#) [CR32NP-680KC](#) [CR32NP-820KC](#) [CR32NP-8R2MC](#) [CR43NP-390KC](#) [CR43NP-560KC](#) [CR43NP-680KC](#) [CR54NP-181KC](#) [CR54NP-470LC](#) [CR54NP-820KC](#) [CR54NP-8R5MC](#) [70F224AI](#) [MGDQ4-00004-P](#) [MHL1ECTTP18NJ](#) [MHQ1005P10NJ](#) [MHQ1005P1N0S](#) [MHQ1005P2N4S](#) [MHQ1005P3N6S](#) [MHQ1005P5N1S](#) [MHQ1005P8N2J](#) [PE-51506NL](#) [PE-53601NL](#) [PE-53602NL](#) [PE-53630NL](#) [PE-53824SNLT](#) [PE-92100NL](#) [PG0434.801NLT](#) [PG0936.113NLT](#) [9220-20](#) [9310-16](#) [PM06-2N7](#) [PM06-39NJ](#) [A01TK](#) [1206CS-471XJ](#) [HC2LP-R47-R](#) [HC2-R47-R](#) [HC3-2R2-R](#) [HCF1305-3R3-R](#) [1206CS-151XG](#) [RCH664NP-140L](#) [RCH664NP-4R7M](#) [RCH8011NP-221L](#) [RCP1317NP-332L](#) [RCP1317NP-391L](#) [RCR1010NP-470M](#)