

RoHS & Halogen Free & REACH Compliance.

SPECIFICATION FOR APPROVAL

Customer : 深圳市超利維實業有限公司

Customer P/N:

Drawing No :

Quantity : 1 Pcs. **Date :** 2022/03/23

Chilisin P/N : SDS0804T-221M-N

SPECIFICATION ACCEPTED BY:	
COMPONENT ENGINEER	
ELECTRICAL ENGINEER	
MECHANICAL ENGINEER	
APPROVED	
REJECTED	

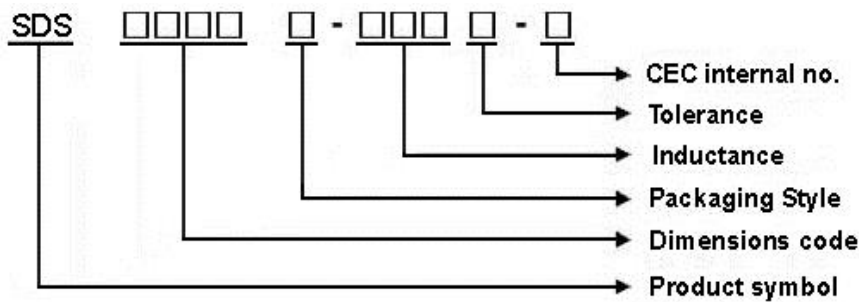
<p>奇力新電子股份有限公司 Chilisin Electronics Corp No. 29, Alley 301, Tehhsin Rd., Hukou, Hsinchu 303, Taiwan TEL : +886-3- 599-2646 FAX : +886-3- 599-9176 E-mail : sales@chilisin.com http : //www.chilisin.com</p>	<p>東莞奇力新電子(東莞廠)有限公司 Chilisin Electronics (Dongguan) Co., Ltd. No. 78, Puxing Rd., Yuliangwei Administration Area, Qingxi Town, Dongguan City, Guangdong, China TEL : +86-769-8773-0251~3 FAX : +86-769-8773-0232 E-mail : cect@chilisin.com</p>
<p>奇力新電子(越南廠)有限公司 Chilisin Electronics (Vietnam) Limited No 143 - 145, Road No 10, VSIP Hai Phong, Lap Le Commune, Thuy Nguyen Dist, Haiphong City, Vietnam Tel : 84-316 255 688 Fax : 84-316 255 689 E-mail : sales@chilisin.com</p>	<p>奇力新電子(湖南廠)有限公司 HuNan Chilisin Electronics Technology Co., Ltd No. 8, Shaziao Liangshuijing Town, Yuanling County, Huaihua City, Hunan Province 419601, China Tel : 86-745-867-5882 E-mail : cect@chilisin.com</p>

Applied by KOE028 季雅琦	Checked by R024 郭俊良	Approved by R028 葉信賢
---------------------------------	-------------------------------	--------------------------------

SDS0804T Series Specification

1 Scope: This specification applies to SMD Shielded Power Inductors

2 Part Numbering:



3 Rating:

Operating Temperature: - 4 0 °C ~ 1 2 5 °C(Including self - temperature rise)

Storage Temperature: 2 0 °C ~ 2 5 °C R.H. 6 5 %(In Tape & Reel Condition)

4 Marking:



Ex : SDS0804T-100M-N

Marking : 100

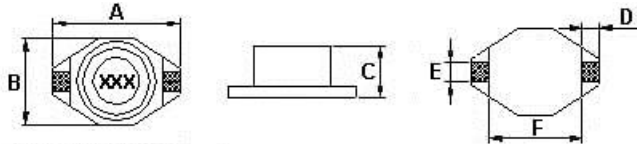
Marking color : Black

5 Standard Testing Condition

	Unless otherwise specified	In case of doubt
Temperature	Ordinary Temperature(15 to 35°C)	20 to 30°C
Humidity	Ordinary Humidity(25 to 85% RH)	50 to 80 %RH

SDS0804T Series Specification

6 Configuration and Dimensions:



Dimensions in mm

TYPE	A	B	C	D	E	F
SDS0804	12.95 Max.	9.4 Max.	5.08 Max.	2.54	2.54	7.62

7 Electrical Characteristics:

Part No.	Inductance (uH)	Test Freq. (kHz)	RDC (Ω)Max.	I _{rms} (A)	I _{sat} (A)	SRF (MHz) Typ.	Q Freq. Min. (kHz)	Marking
SDS0804T-1R0M-N	1	100kHz,0.1V	0.021	5	5.6	110	3/100	1R0
SDS0804T-1R5M-N	1.5	100kHz,0.1V	0.022	4.5	5.2	90	5/100	1R5
SDS0804T-2R2M-N	2.2	100kHz,0.1V	0.032	3.8	5	60	5/100	2R2
SDS0804T-3R3M-N	3.3	100kHz,0.1V	0.039	3.3	3.9	55	5/100	3R3
SDS0804T-4R7M-N	4.7	100kHz,0.1V	0.054	3.3	3.2	30	10/100	4R7
SDS0804T-6R8M-N	6.8	100kHz,0.1V	0.075	2.2	2.8	30	10/100	6R8
SDS0804T-100M-N	10	100kHz,0.1V	0.101	2	2.4	28	10/100	100
SDS0804T-150M-N	15	100kHz,0.1V	0.15	1.5	2	20	15/100	150
SDS0804T-220M-N	22	100kHz,0.1V	0.207	1.3	1.6	15	20/100	220
SDS0804T-330M-N	33	100kHz,0.1V	0.334	1.1	1.4	12	20/100	330
SDS0804T-470M-N	47	100kHz,0.1V	0.472	0.8	1	10	20/100	470
SDS0804T-680M-N	68	100kHz,0.1V	0.66	0.7	0.9	10		680
SDS0804T-101M-N	100	100kHz,0.1V	1.11	0.6	0.8	7		101
SDS0804T-151M-N	150	100kHz,0.1V	1.55	0.5	0.6	6		151
SDS0804T-221M-N	220	100kHz,0.1V	2	0.37	0.5	5		221
SDS0804T-102M-N	1000	100kHz,0.1V	8.3	0.17	0.32	2		102

NOTE: tolerance M=±20%

1. Operating temperature range - 40 °C ~ 125 °C (Including self - temperature rise)

2. I_{sat} for Inductance drop 10% from its value without current.

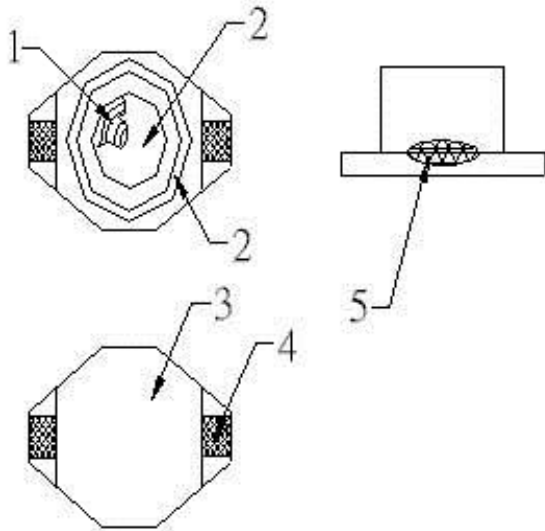
3. I_{rms} for a 40 °C temperature rise from 25 °C ambient.

"-N" FOR COMPLETELY LEAD FREE TYPE (INCLUDING FERRITE BODY & SOLDER)

SDS0804T Series Specification

8 SDS0804T Series

8.1 Construction:



8.2 Material List:

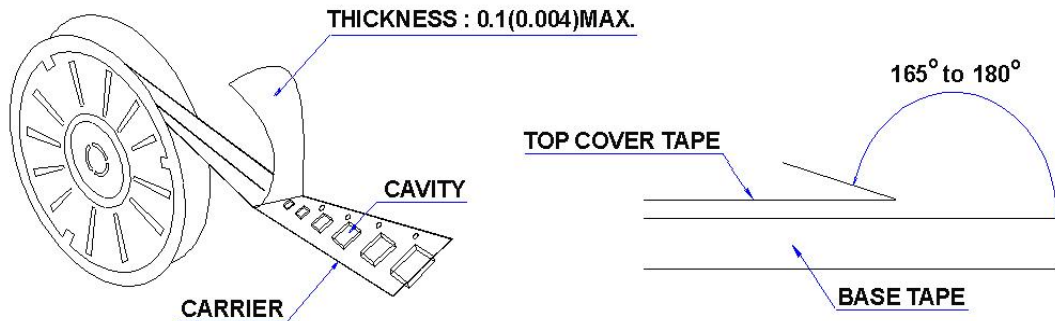
No	Part	Material
1	WIRE	COPPER WIRE
2	CORE	FERRITE
3	BASE	LCP
4	TERMINAL	TERMINAL COPPER
5	EPOXY	471-5LL(HV)A,B

SDS0804T Series Specification

9 Packaging:

9.1 Packaging -Cover Tape

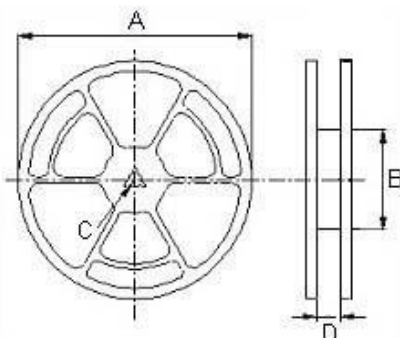
The force for tearing off cover tape is 10 to 130 grams in the arrow direction.



9.2 Packaging Quantity

TYPE	PCS/REEL
SDS0402	2500
SDS0804	1000
SDS1306	250

9.3 Reel Dimensions



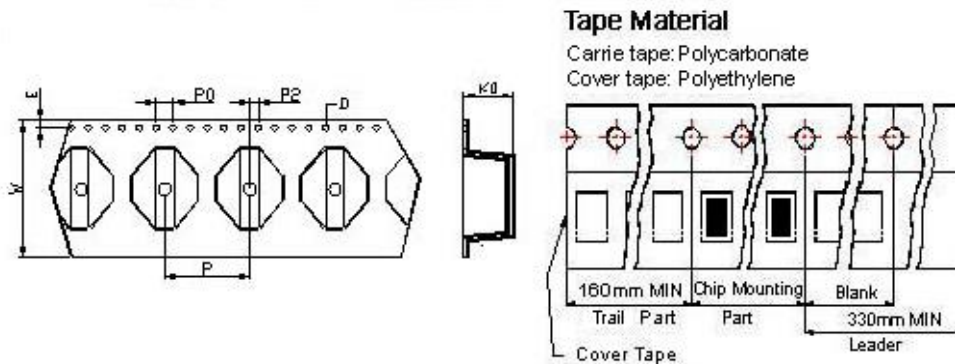
Dimensions in mm

TYPE	A	B	C	D
SDS0402	330	100	13	13.4
SDS0804	330	100	13	24.4
SDS1306	330	100	13	33.4

SDS0804T Series Specification

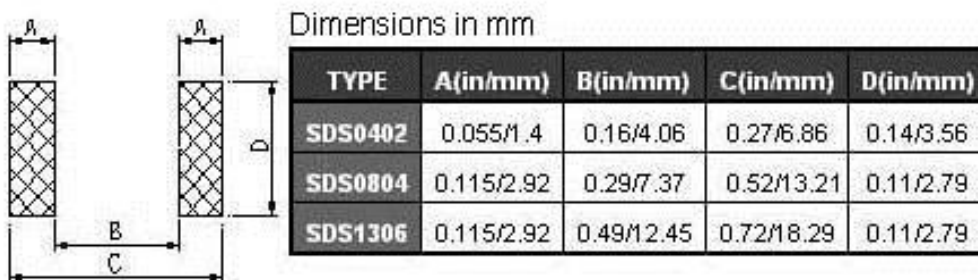
9 Packaging:

9.4 Tape Dimensions in mm



TYPE	K0	D	E	W	P	P0	P2
SDS0804	5.4	1.55	1.75	24	12	4	2

10 Recommended Land Pattern:

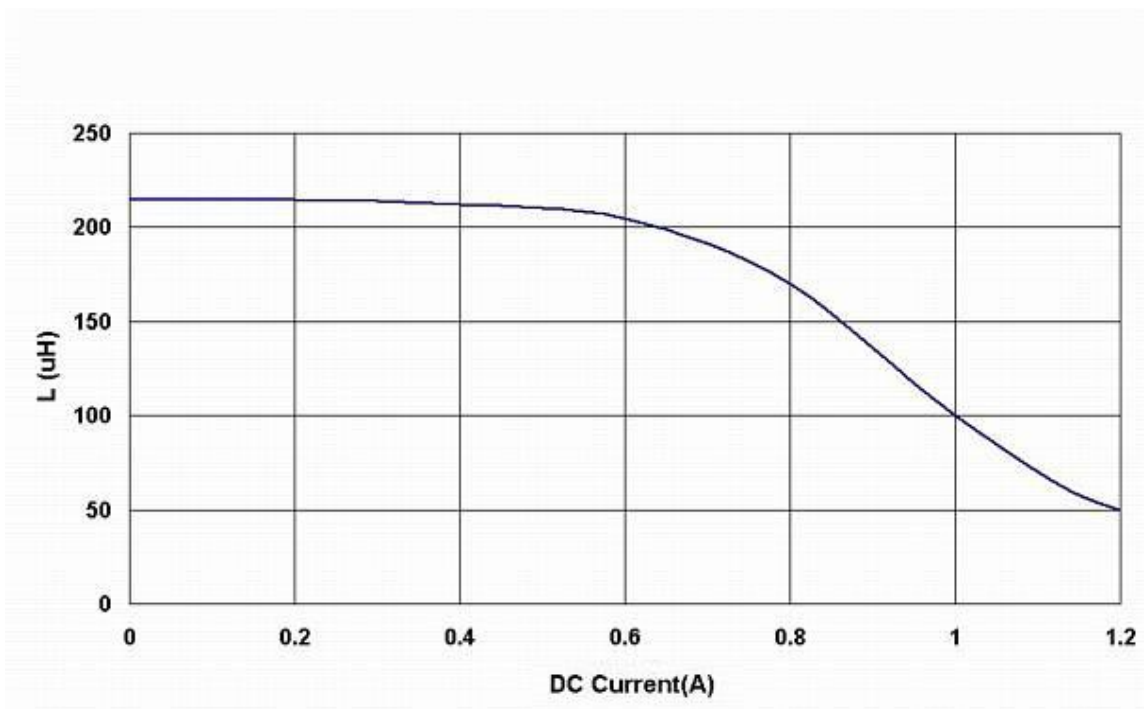
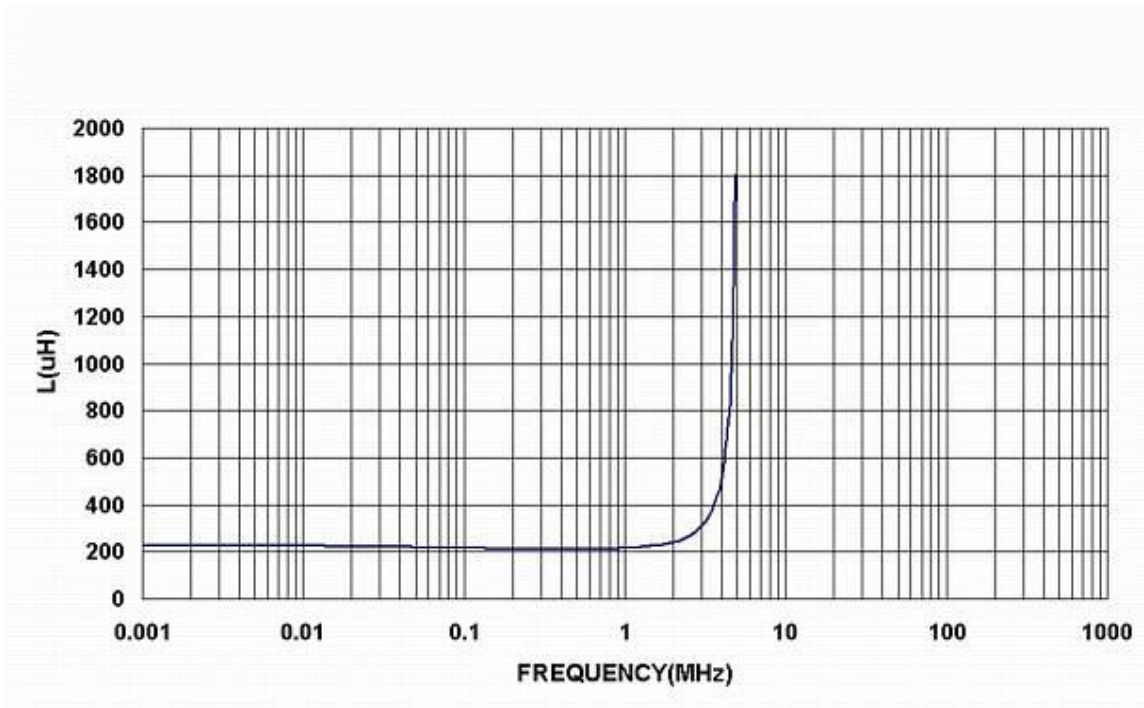


11 Note:

- Please make sure that your product has been evaluated and confirmed against your specifications when our product is mounted to your product.
- Do not knock nor drop.
- All the items and parameters in this product specification have been prescribed on the premise that our product is used for the purpose, under the condition and in the environment agreed upon between you and us. You are requested not to use our product deviating from such agreement.
- Please keep the distance between transformer/coil and other components (refer to the standard IEC 950)
- The moisture sensitivity level (MSL) of products is classified as level 1.

SDS0804T Series Specification

12 Graph: SDS0804T-221M-N



X-ON Electronics

Largest Supplier of Electrical and Electronic Components

Click to view similar products for [Fixed Inductors](#) category:

Click to view products by [Chilisin](#) manufacturer:

Other Similar products are found below :

[CR32NP-151KC](#) [CR32NP-180KC](#) [CR32NP-181KC](#) [CR32NP-1R5MC](#) [CR32NP-390KC](#) [CR32NP-3R9MC](#) [CR32NP-680KC](#) [CR32NP-820KC](#) [CR32NP-8R2MC](#) [CR43NP-390KC](#) [CR43NP-560KC](#) [CR43NP-680KC](#) [CR54NP-181KC](#) [CR54NP-470LC](#) [CR54NP-820KC](#) [CR54NP-8R5MC](#) [70F224AI](#) [MGDQ4-00004-P](#) [MHL1ECTTP18NJ](#) [MHQ1005P10NJ](#) [MHQ1005P1N0S](#) [MHQ1005P2N4S](#) [MHQ1005P3N6S](#) [MHQ1005P5N1S](#) [MHQ1005P8N2J](#) [PE-51506NL](#) [PE-53601NL](#) [PE-53602NL](#) [PE-53630NL](#) [PE-53824SNLT](#) [PE-92100NL](#) [PG0434.801NLT](#) [PG0936.113NLT](#) [9220-20](#) [9310-16](#) [PM06-2N7](#) [PM06-39NJ](#) [A01TK](#) [1206CS-471XJ](#) [HC2LP-R47-R](#) [HC2-R47-R](#) [HC3-2R2-R](#) [HCF1305-3R3-R](#) [1206CS-151XG](#) [RCH664NP-140L](#) [RCH664NP-4R7M](#) [RCH8011NP-221L](#) [RCP1317NP-332L](#) [RCP1317NP-391L](#) [RCR1010NP-470M](#)