

配电电器

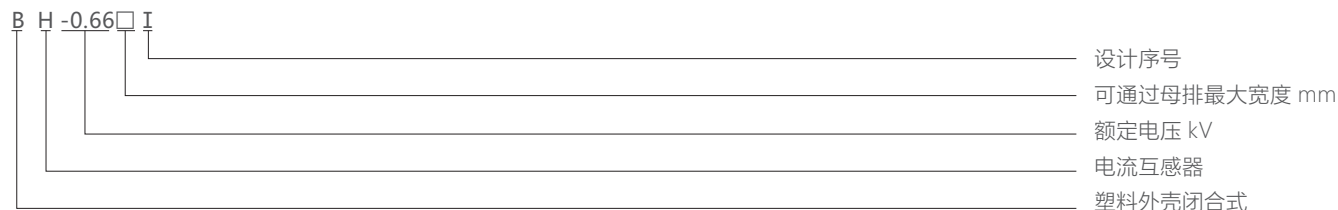
BH-0.66 I 型电流互感器

1 适用范围

BH-0.66 I 型电流互感器主要用于户内，供额定电压为0.66kV及以下，额定频率为50Hz的交流电路中作为电流、电能测量或计量用。产品为塑壳式电流互感器，广泛应用于成套柜体，其安装方法可采用母排固定和底板固定安装方法，适合水平或垂直安装，一次导线可为母排或电缆。

符合标准：GB/T 20840.2。


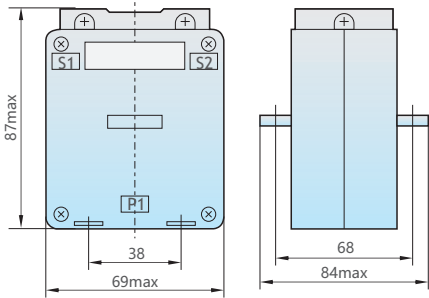
2 型号及含义


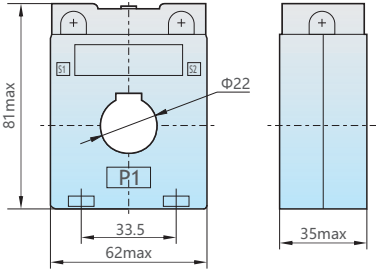

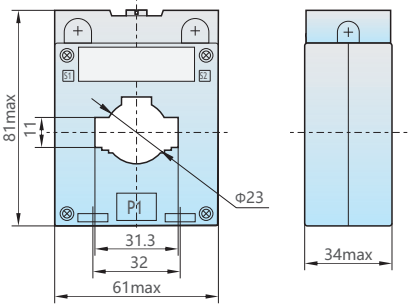

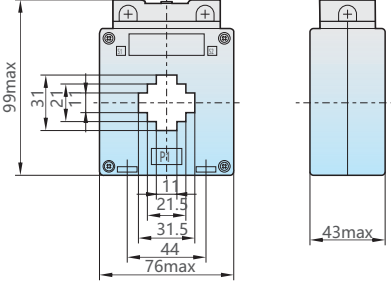


3 正常工作条件和安装条件



- 3.1 安装场所：户内。
- 3.2 环境温度：-5°C ~ 40°C。
- 3.3 空气湿度：一个月内相对湿度平均值不超过90%。
- 3.4 海拔高度：不超过1000m。
- 3.5 大气条件：大气中无明显灰尘、烟、腐蚀性气体、蒸气或盐的污染。

4 主要技术参数及外形安装尺寸

| | 电流比A | 额定负荷VA | | | | | 穿心匝数 | 外形及安装尺寸 |
|---|-------|--------|------|-------|------|-------|--|---------|
| | | 1级 | 0.5级 | 0.5S级 | 0.2级 | 0.2S级 | | |
|  BH-0.66 实心 | 5/5 | 5 | 2.5 | 2.5 | 2.5 | |  | |
| | 10/5 | 5 | 2.5 | 2.5 | 2.5 | | | |
| | 15/5 | 5 | 2.5 | 2.5 | 2.5 | | | |
| | 20/5 | 5 | 2.5 | 2.5 | 2.5 | | | |
| | 25/5 | 5 | 2.5 | 2.5 | 2.5 | | | |
| | 30/5 | 5 | 2.5 | 2.5 | 2.5 | | | |
| | 40/5 | 5 | 2.5 | 2.5 | 2.5 | | | |
| | 50/5 | 5 | 2.5 | 2.5 | 2.5 | | | |
| | 75/5 | 5 | 2.5 | 2.5 | 2.5 | | | |
| | 100/5 | 5 | 2.5 | 2.5 | 2.5 | | | |
| | 5/1 | 5 | 2.5 | | | | | |
| | 10/1 | 5 | 2.5 | | | | | |
| | 15/1 | 5 | 2.5 | | | | | |
| | 20/1 | 5 | 2.5 | | | | | |
| | 25/1 | 5 | 2.5 | | | | | |
| | 30/1 | 5 | 2.5 | | | | | |
| | 40/1 | 5 | 2.5 | | | | | |
| | 50/1 | 5 | 2.5 | | | | | |
| | 75/1 | 5 | 2.5 | | | | | |
| | 100/1 | 5 | 2.5 | | | | | |

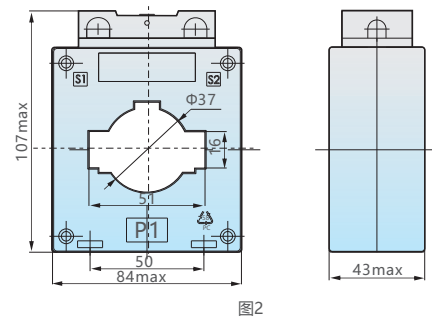
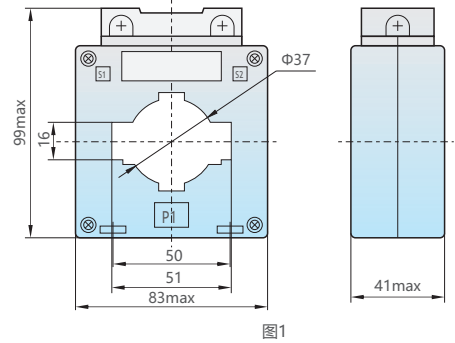
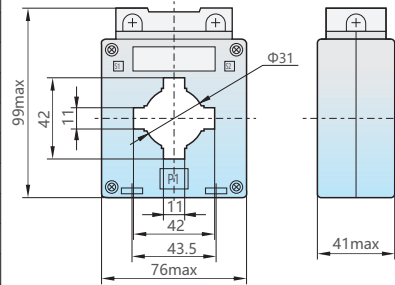
| | 电流比A | 额定负荷VA | | | | | 穿心匝数 | 外形及安装尺寸 |
|---|-------|--------|-------|-------|------|-------|------|--|
| | | 1级 | 0.5级 | 0.5S级 | 0.2级 | 0.2S级 | | |
|  | 75/5 | 2.5 | | | | | 1 |  |
| | 100/5 | 2.5 | | | | | 1 | |
| BH-0.66 20 I | | | | | | | | |
|  | 30/5 | 5 | 2.5 | | | | 5 |  |
| | 50/5 | 5 | 2.5 | | | | 3 | |
| | 75/5 | 5 | 2.5 | | | | 2 | |
| | 75/5 | 2.5 | | | | | 1 | |
| | 100/5 | 2.5 | | | | | 1 | |
| | 100/5 | 5 | 5 | | | | 2 | |
| | 150/5 | 5 | 2.5 | | | | 1 | |
| | 200/5 | 5 | 5 | | | | 1 | |
| | 250/5 | 5 | 5 | | | | 1 | |
| | 300/5 | 5 | 5 | | | | 1 | |
| | 400/5 | 5 | 5 | | | | 1 | |
| | 500/5 | 5 | 5 | | | | 1 | |
| | 600/5 | 10 | 10 | | | | 1 | |
| | 30/1 | 2.5 | 2.5 | | | | 5 | |
| | 50/1 | 2.5 | 2.5 | | | | 3 | |
| | 75/1 | 1 | | | | | 1 | |
| | 75/1 | 2.5 | 2.5 | | | | 2 | |
| | 100/1 | 2.5 | 1 | | | | 1 | |
| 100/1 | 5 | 5 | | | | 2 | | |
| 150/1 | 2.5 | 2.5 | | | | 1 | | |
| 200/1 | 5 | 5 | | | | 1 | | |
| 250/1 | 5 | 5 | | | | 1 | | |
| 300/1 | 5 | 5 | | | | 1 | | |
| BH-0.66 30 I | | | | | | | | |
|  | 30/5 | 5 | 2.5 | 2.5 | 2.5 | 2.5 | 5 |  |
| | 50/5 | 5 | 2.5 | 2.5 | 2.5 | 2.5 | 3 | |
| | 50/5 | 2.5 | 2.5 | 2.5 | 2.5 | | 1 | |
| | 75/5 | 5 | 2.5 | 2.5 | 2.5 | 2.5 | 2 | |
| | 75/5 | 2.5 | 2.5 | 2.5 | 2.5 | 2.5 | 1 | |
| | 100/5 | 2.5 | 2.5 | 2.5 | 2.5 | 2.5 | 1 | |
| | 100/5 | 5、10 | 5、10 | 5 | 5 | 5 | 2 | |
| | 150/5 | 5 | 2.5、5 | 2.5 | 2.5 | 2.5 | 1 | |
| | 200/5 | 5、10 | 5、10 | 5 | 5 | 5 | 1 | |
| | 250/5 | 5、10 | 5、10 | 5 | 5 | 5 | 1 | |
| | 300/5 | 5、10 | 5、10 | 5 | 5 | 5 | 1 | |
| | 400/5 | 5、10 | 5、10 | 5 | 5 | 5 | 1 | |
| | 30/1 | 5 | 2.5 | 2.5 | 2.5 | 2.5 | 5 | |
| | 50/1 | 5 | 2.5 | 2.5 | 2.5 | 2.5 | 3 | |
| | 50/1 | 2.5 | 2.5 | | | | 1 | |
| | 75/1 | 5 | 2.5 | 2.5 | 2.5 | 2.5 | 2 | |
| | 75/1 | 2.5 | 2.5 | | | | 1 | |
| | 100/1 | 5 | 5 | 5 | 5 | 5 | 2 | |
| 100/1 | 2.5 | 2.5 | | | | 1 | | |
| 150/1 | 5 | 2.5 | 2.5 | 2.5 | 2.5 | 1 | | |
| 200/1 | 5 | 5 | 5 | 5 | 5 | 1 | | |
| 250/1 | 5 | 5 | 5 | 5 | 5 | 1 | | |
| BH-0.66 30 I B | | | | | | | | |

配电电器


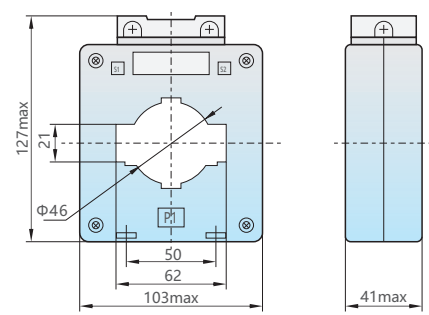



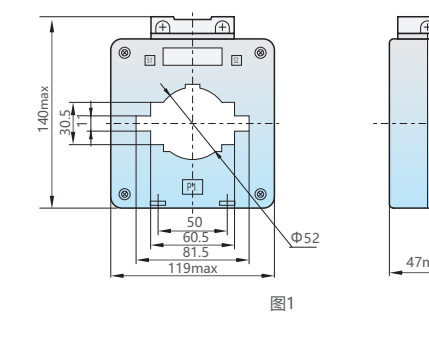
| | 电流比A | 额定负荷VA | | | | | 穿心匝数 | 外形 | 外形及安装尺寸 |
|---|--------|--------|------|-------|------|-------|------|----|---------|
| | | 1级 | 0.5级 | 0.5S级 | 0.2级 | 0.2S级 | | | |
|  | 30/5 | 5 | 2.5 | 2.5 | 2.5 | 2.5 | 5 | | |
| | 50/5 | 5 | 2.5 | 2.5 | 2.5 | 2.5 | 3 | | |
| | 75/5 | 5 | 2.5 | 2.5 | 2.5 | 2.5 | 2 | | |
| | 75/5 | 2.5 | | | | | 1 | | |
| | 100/5 | 2.5 | 2.5 | | | | 1 | | |
| | 100/5 | 5 | 5 | 5 | 5 | 2.5 | 2 | | |
| | 150/5 | 5 | 2.5 | 2.5 | 2.5 | 2.5 | 1 | | |
| | 200/5 | 5 | 5 | 5 | 5 | 2.5 | 1 | | |
| | 250/5 | 5 | 5 | 5 | 5 | 5 | 1 | | |
| | 300/5 | 5 | 5 | 5 | 5 | 5 | 1 | | |
| | 400/5 | 5 | 5 | 5 | 5 | 5 | 1 | | |
| | 500/5 | 10 | 10 | 5 | 5 | 5 | 1 | | |
| | 600/5 | 10 | 10 | 5 | 5 | 5 | 1 | | |
| | 750/5 | 10 | 10 | 10 | 10 | 5 | 1 | | |
| | 800/5 | 10 | 10 | 10 | 10 | 5 | 1 | | |
| | 30/1 | 5 | 2.5 | 2.5 | 2.5 | 2.5 | 5 | | |
| | 50/1 | 5 | 2.5 | 2.5 | 2.5 | 2.5 | 3 | | |
| | 75/1 | 5 | 2.5 | 2.5 | 2.5 | 2.5 | 2 | | |
| | 100/1 | 5 | 5 | 5 | 5 | 5 | 2 | | |
| | 100/1 | 2.5 | 1 | | | | 1 | | |
| | 150/1 | 5 | 2.5 | 2.5 | 2.5 | 2.5 | 1 | | |
| | 200/1 | 5 | 5 | 5 | 5 | 2.5 | 1 | | |
| | 250/1 | 5 | 5 | 5 | 5 | 5 | 1 | | |
| | 300/1 | 5 | 5 | 5 | 5 | 5 | 1 | | |
| 400/1 | 5 | 5 | 5 | 5 | 5 | 1 | | | |
| 500/1 | 10 | 10 | 5 | 5 | 5 | 1 | | | |
| 600/1 | 10 | 10 | 5 | 5 | 5 | 1 | | | |
|  | 150/5 | 2.5 | 2.5 | 2.5 | 2.5 | | 1 | 图1 | |
| | 200/5 | 5 | 5 | 2.5 | 2.5 | 2.5 | 1 | 图1 | |
| | 250/5 | 5 | 5 | 2.5 | 2.5 | 2.5 | 1 | 图1 | |
| | 300/5 | 5 | 5 | 5 | 5 | 5 | 1 | 图1 | |
| | 400/5 | 5 | 5 | 5 | 5 | 5 | 1 | 图1 | |
| | 500/5 | 10 | 10 | 5 | 5 | 5 | 1 | 图1 | |
| | 600/5 | 10 | 10 | 5 | 5 | 5 | 1 | 图1 | |
| | 750/5 | * | * | 10 | 10 | 5 | 1 | 图1 | |
| | 800/5 | * | * | 10 | 10 | 5 | 1 | 图1 | |
| | 1000/5 | * | * | 10 | 10 | 5 | 1 | 图1 | |
| | 1200/5 | * | * | 20 | 20 | 5 | 1 | 图1 | |
| | 1500/5 | * | * | 20 | 20 | 10 | 1 | 图1 | |
| | 750/5 | 10 | 10 | * | * | * | 1 | 图2 | |
| | 800/5 | 10 | 10 | * | * | * | 1 | 图2 | |
| | 1000/5 | 10 | 10 | * | * | * | 1 | 图2 | |
| | 1200/5 | 20 | 20 | * | * | * | 1 | 图2 | |
| | 1500/5 | 20 | 20 | * | * | * | 1 | 图2 | |
| | 150/1 | 2.5 | | | | | 1 | 图1 | |
| | 200/1 | 5 | 5 | 2.5 | 2.5 | 2.5 | 1 | 图1 | |
| | 250/1 | 5 | 5 | 2.5 | 2.5 | 2.5 | 1 | 图1 | |
| | 300/1 | 5 | 5 | 5 | 5 | 5 | 1 | 图1 | |
| | 400/1 | 5 | 5 | 5 | 5 | 5 | 1 | 图1 | |
| | 500/1 | 10 | 10 | 5 | 5 | 5 | 1 | 图1 | |
| | 600/1 | 10 | 10 | 5 | 5 | 5 | 1 | 图1 | |
| 750/1 | 10 | 10 | 10 | 10 | 5 | 1 | 图1 | | |
| 800/1 | 10 | 10 | 10 | 10 | 5 | 1 | 图1 | | |
| 1000/1 | 10 | 10 | 10 | 10 | 5 | 1 | 图1 | | |
| 1200/1 | 20 | 20 | 20 | 20 | 5 | 5 | 图1 | | |

BH-0.66 40 I


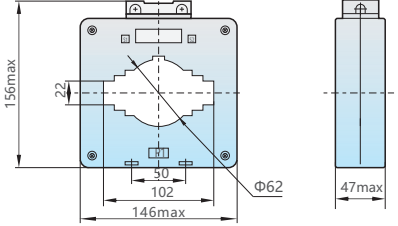

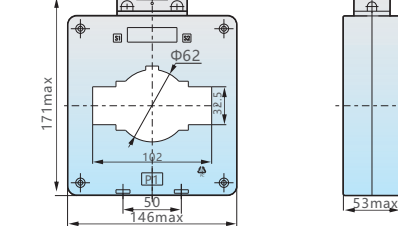

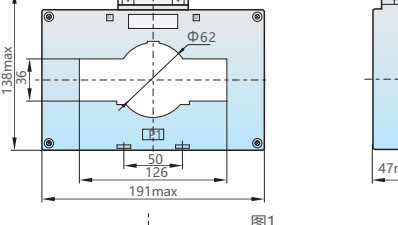

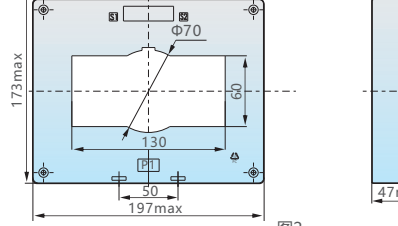
BH-0.66 50 I



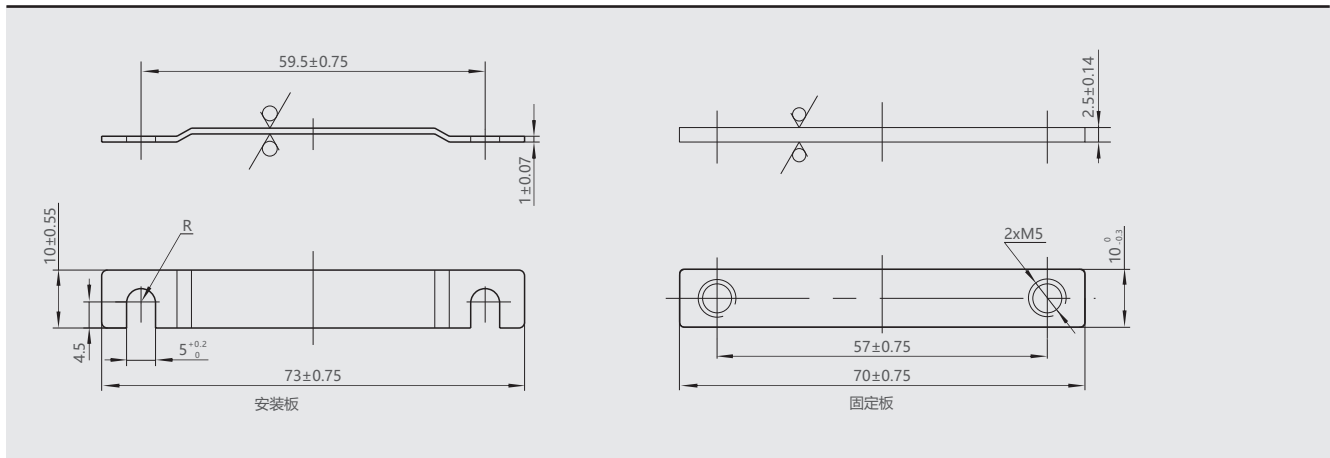
注：带**号为非常规产品，需要协商定做的规格。

| | 电流比A | 额定负荷VA | | | | | 穿心匝数 | 外形 | 外形及安装尺寸 | | |
|---|--------------|--------|------|-------|------|-------|------|----|---|---|--|
| | | 1级 | 0.5级 | 0.5S级 | 0.2级 | 0.2S级 | | | | | |
|  | 200/5 | 5 | 2.5 | 2.5 | 2.5 | 2.5 | 1 | 图1 |  <p>图1</p>  <p>图2</p> | | |
| | 250/5 | 5 | 5 | 2.5 | 2.5 | 2.5 | 1 | 图1 | | | |
| | 300/5 | 5 | 5 | 5 | 5 | 2.5 | 1 | 图1 | | | |
| | 400/5 | 5 | 5 | 5 | 5 | 5 | 1 | 图1 | | | |
| | 500/5 | 10 | 10 | 5 | 5 | 5 | 1 | 图1 | | | |
| | 600/5 | 10 | 10 | 5 | 5 | 5 | 1 | 图1 | | | |
| | 750/5 | 10 | 10 | 10 | 10 | 5 | 1 | 图1 | | | |
| | 800/5 | 10 | 10 | 10 | 10 | 5 | 1 | 图1 | | | |
| | 1000/5 | 10 | 10 | 10 | 10 | 5 | 1 | 图1 | | | |
| | 1200/5 | 20 | 20 | 20 | 20 | 5 | 1 | 图1 | | | |
| | 1500/5 | * | * | 20 | 20 | 10 | 1 | 图1 | | | |
| | 2000/5 | * | * | 20 | 20 | 10 | 1 | 图1 | | | |
| | 1500/5 | 20 | 20 | * | * | * | 1 | 图2 | | | |
| | 2000/5 | 20 | 20 | * | * | * | 1 | 图2 | | | |
| | BH-0.66 60 I | 200/1 | 5 | | | | | 1 | | 图1 | |
| 250/1 | | 5 | 5 | | | | 1 | 图1 | | | |
| 300/1 | | 5 | 5 | 5 | 5 | | 1 | 图1 | | | |
| 400/1 | | 5 | 5 | 5 | 5 | 5 | 1 | 图1 | | | |
| 500/1 | | 10 | 10 | 5 | 5 | 5 | 1 | 图1 | | | |
| 600/1 | | 10 | 10 | 5 | 5 | 5 | 1 | 图1 | | | |
| 750/1 | | 10 | 10 | 10 | 10 | 5 | 1 | 图1 | | | |
| 800/1 | | 10 | 10 | 10 | 10 | 5 | 1 | 图1 | | | |
| 1000/1 | | 10 | 10 | 10 | 10 | 5 | 1 | 图1 | | | |
| 1200/1 | | 20 | 20 | 20 | 20 | 5 | 1 | 图1 | | | |
| 1500/1 | | 20 | 20 | 20 | 20 | 10 | 1 | 图1 | | | |
|  | | 300/5 | 5 | 5 | 2.5 | 2.5 | 2.5 | 1 | 图1 |  <p>图1</p>  <p>图2</p> | |
| | | 400/5 | 5 | 5 | 2.5 | 2.5 | 2.5 | 1 | 图1 | | |
| | | 500/5 | 10 | 10 | 5 | 5 | 5 | 1 | 图1 | | |
| | | 600/5 | 10 | 10 | 5 | 5 | 5 | 1 | 图1 | | |
| | 750/5 | 10 | 10 | 10 | 10 | 5 | 1 | 图1 | | | |
| | 800/5 | 10 | 10 | 10 | 10 | 5 | 1 | 图1 | | | |
| | 1000/5 | 10 | 10 | 10 | 10 | 5 | 1 | 图1 | | | |
| | 1200/5 | 20 | 20 | 20 | 20 | 5 | 1 | 图1 | | | |
| | 1500/5 | 20 | 20 | 20 | 20 | 10 | 1 | 图1 | | | |
| | 2000/5 | * | * | 20 | 20 | 10 | 1 | 图1 | | | |
| | 2500/5 | * | * | 30 | 30 | 10 | 1 | 图1 | | | |
| | 2000/5 | 20 | 20 | * | * | * | 1 | 图2 | | | |
| | 2500/5 | 30 | 30 | * | * | * | 1 | 图2 | | | |
| | BH-0.66 80 I | 300/1 | 5 | 5 | | | | 1 | 图1 | | |
| | | 400/1 | 5 | 5 | 5 | 5 | | 1 | 图1 | | |
| 500/1 | | 10 | 10 | 5 | 5 | 5 | 1 | 图1 | | | |
| 600/1 | | 10 | 10 | 5 | 5 | 5 | 1 | 图1 | | | |
| 750/1 | | 10 | 10 | 10 | 10 | 5 | 1 | 图1 | | | |
| 800/1 | | 10 | 10 | 10 | 10 | 5 | 1 | 图1 | | | |
| 1000/1 | | 10 | 10 | 10 | 10 | 5 | 1 | 图1 | | | |
| 1200/1 | | 20 | 20 | 20 | 20 | 5 | 1 | 图1 | | | |
| 1500/1 | | 20 | 20 | 20 | 20 | 10 | 1 | 图1 | | | |
| 2000/1 | | 20 | 20 | 20 | 20 | 10 | 1 | 图2 | | | |
| 2500/1 | | 30 | 30 | 30 | 30 | 10 | 1 | 图2 | | | |

注：带“*”号为非常规产品，需要协商定做的规格。

| 外形 | 电流比A | 额定负荷VA | | | | | 穿心匝数 | 外形 | 外形及安装尺寸 |
|---|--------|--------|------|-------|------|-------|------|----|--|
| | | 1级 | 0.5级 | 0.5S级 | 0.2级 | 0.2S级 | | | |
|  | 600/5 | 10 | 10 | 5 | 5 | 5 | 1 | 图1 |  |
| | 750/5 | 10 | 10 | 10 | 10 | 5 | 1 | 图1 | |
| | 800/5 | 10 | 10 | 10 | 10 | 5 | 1 | 图1 | |
| | 1000/5 | 10 | 10 | 10 | 10 | 5 | 1 | 图1 | |
| | 1200/5 | 20 | 20 | 20 | 20 | 5 | 1 | 图1 | |
| | 1500/5 | 20 | 20 | 20 | 20 | 10 | 1 | 图1 | |
| | 2000/5 | 20 | 20 | 20 | 20 | 10 | 1 | 图1 | |
| | 2500/5 | * | * | 30 | 30 | 10 | 1 | 图1 | |
| | 3000/5 | * | * | 30 | 30 | 10 | 1 | 图1 | |
| | 2500/5 | 30 | 30 | * | * | * | 1 | 图2 | |
|  | 600/1 | 10 | 10 | 5 | 5 | 5 | 1 | 图1 |  |
| | 750/1 | 10 | 10 | 10 | 10 | 5 | 1 | 图1 | |
| | 800/1 | 10 | 10 | 10 | 10 | 5 | 1 | 图1 | |
| | 1000/1 | 10 | 10 | 10 | 10 | 5 | 1 | 图1 | |
| | 1200/1 | 20 | 20 | 20 | 20 | 5 | 1 | 图1 | |
| | 1500/1 | 20 | 20 | 20 | 20 | 10 | 1 | 图1 | |
| | 2000/1 | 20 | 20 | 20 | 20 | 10 | 1 | 图1 | |
| | 2500/1 | 30 | 30 | 30 | 30 | 10 | 1 | 图2 | |
| | 3000/1 | 30 | 30 | 30 | 30 | 10 | 1 | 图2 | |
| | 3000/1 | 30 | 30 | 30 | 30 | 10 | 1 | 图2 | |
|  | 1000/5 | 10 | 10 | 10 | 10 | 5 | 1 | 图1 |  |
| | 1200/5 | 20 | 20 | 20 | 20 | 5 | 1 | 图1 | |
| | 1500/5 | 20 | 20 | 20 | 20 | 10 | 1 | 图1 | |
| | 2000/5 | 20 | 20 | 20 | 20 | 10 | 1 | 图1 | |
| | 2500/5 | * | * | 30 | 30 | 10 | 1 | 图1 | |
| | 3000/5 | * | * | 30 | 30 | 10 | 1 | 图1 | |
| | 4000/5 | * | * | 30 | 30 | 10 | 1 | 图1 | |
| | 2500/5 | 30 | 30 | * | * | * | 1 | 图2 | |
| | 3000/5 | 30 | 30 | * | * | * | 1 | 图2 | |
| | 4000/5 | 30 | 30 | * | * | * | 1 | 图2 | |
|  | 1000/1 | 10 | 10 | 10 | 10 | 5 | 1 | 图1 |  |
| | 1200/1 | 20 | 20 | 20 | 20 | 5 | 1 | 图1 | |
| | 1500/1 | 20 | 20 | 20 | 20 | 10 | 1 | 图1 | |
| | 2000/1 | 20 | 20 | 20 | 20 | 10 | 1 | 图1 | |
| | 2500/1 | 30 | 30 | 30 | 30 | 10 | 1 | 图2 | |
| | 3000/1 | 30 | 30 | 30 | 30 | 10 | 1 | 图2 | |
| | 4000/1 | 30 | 30 | 30 | 30 | 10 | 1 | 图2 | |
| | 4000/1 | 30 | 30 | 30 | 30 | 10 | 1 | 图2 | |
| | 4000/1 | 30 | 30 | 30 | 30 | 10 | 1 | 图2 | |
| | 4000/1 | 30 | 30 | 30 | 30 | 10 | 1 | 图2 | |

5 安装附件



注：带**号为非常规产品，需要协商定做的规格。

6 订货须知

用户在订货时，需提供以下信息：

6.1 产品型号及窗口宽度；

6.2 额定电流比；

6.3 额定输出及相应准确级；

例如：订货BH-0.66 I 型，窗口宽度为30mm，额定电流比200/5A、额定输出5VA、准确级0.5级的互感器。

订货代号为：BH-0.66 30 I 200/5A 1匝 5VA 0.5级。

6.4 如有特殊要求时，可与厂家协商定制。

X-ON Electronics

Largest Supplier of Electrical and Electronic Components

Click to view similar products for [CHINT](#) manufacturer:

Other Similar products are found below :

[CJX2-1810](#) [NXBLE-32 1P+N C32A](#) [SHT-X3 AC24V/48V](#) [NXB-63-3P C2A](#) [NXB-63 1P D32A](#) [NXB-63 2P D63A](#) [NXB-63 4P D50A](#) [NXB-125 2P C63](#) [NXBLE-63 4P C63A](#) [NC1-1810Z 24V](#) [NXB-63 2P D32A](#) [NXB-63 4P C40A](#) [CJX2-2501 36V](#) [NXB-63 3P D40A](#) [NXB-63-3P C16A](#) [NXBLE-63 1P+N C63A](#) [NXB-63 1P D40A](#) [NXBLE-125 3P C80A](#) [CJ20-100 380V](#) [NXB-125 3P D100](#) [NXBLE-63 3P D40 30mA 6kA](#) [NXC-50 24V](#) [NXC-65 24V](#) [NB1-63 3P C63 6kA\(R\)](#) [NB1Z-63 2P C40 AC400V DC220V\(R\)](#) [OUVR-2 63A 1P+N](#) [DZ267-32 1P+N C20](#) [NXB-40 1P+N C6 4.5kA](#) [NB7 1P C20](#) [CJX2-2501 24V](#) [NB7 1P C16](#) [NXB-63 2P D25A](#) [NXB-125 4P C80](#) [NXB-63 1P D6A](#) [NXB-63 3P D3A](#) [NXB-125 1P C125](#) [NXBLE-40 1P+N C10A](#) [NXBLE-40 1P+N C20A](#) [NXB-63-3P C6A](#) [NXBLE-63 3P+N C40A](#) [NXB-40 1P+N C40 4.5kA](#) [NB7 3P C63](#) [OUVR-2 40A 1P+N](#) [NB1-63 3P C32 6kA\(R\)](#) [NB7 2P C63](#) [NXM-250S/3300 250A](#) [DZ158-125 1P 80A\(R\)](#) [DZ158-125 1P 100A\(R\)](#) [NXR-25 1-1.6A](#) [TDGC2-0.2](#)