

## CA-IS372x High-Speed Dual-Channel Digital Isolators

### 1. Key Features

- Signal Rate: DC to 150Mbps
- Wide Operating Supply Voltage: 2.5V to 5.5V
- Wide Operating Temperature Range: -40°C to 125°C
- No Start-Up Initialization Required
- Default Output High and Low Options
- High Electromagnetic Immunity
- High CMTI:  $\pm 100\text{kV}/\mu\text{s}$  (Typical)
- Low Power Consumption (Typical):
  - 1.5mA per Channel at 1Mbps with 5.0V Supply
  - 6.6mA per Channel at 100Mbps with 5.0V Supply
- Precise Timing (Typical)
  - 8ns Propagation Delay
  - 1ns Pulse Width Distortion
  - 2ns Propagation Delay Skew
  - 5ns Minimum Pulse Width
- Isolation Rating up to 5.0kVrms
- Isolation Barrier Life: >40 Years
- Schmitt Trigger Inputs
- RoHS-Compliant Packages
  - SOIC8
  - SOIC8 Wide Body

### 2. Applications

- Industrial Automation Systems
- Motor Control
- Medical Electronics
- Isolated Switch Mode Supplies
- Solar Inverters
- Isolated ADC, DAC

### 3. Description

The CA-IS372x devices are high-performance dual - channel digital isolators with precise timing characteristics and low power consumption. The CA-IS372x devices provide high electromagnetic immunity and low emissions, while isolating CMOS digital I/Os. All device versions have Schmitt trigger input for high noise immunity. Each isolation channel consists of a transmitter and a receiver separated by silicon dioxide ( $\text{SiO}_2$ ) insulation barrier. The CA-IS3720 device has

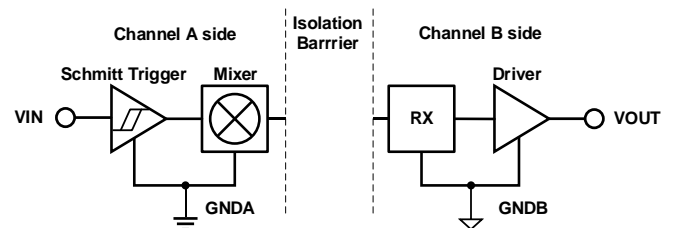
two channels in the same direction, the CA-IS3721 device has one forward and one reverse-direction channels, and the CA-IS3722 device has the channel configuration that is opposite to CA-IS3721. All devices have fail-safe mode option. If the input power or signal is lost, default output is low for devices with suffix L and high for devices with suffix H.

CA-IS372x devices has high insulation capability to handle noise and surge on a data bus or other circuits from entering the local ground and interfering with or damaging sensitive circuitry. High CMTI ability promises the correct transmission of digital signal. The CA-IS372x devices are available in 8-pin SOIC and 8-pin wide body SOIC packages. And the CA-IS372x devices are also available in 8-pin wide body SOIC package. All products have 3.75kVrms isolation rating, and products in wide-body packages support insulation withstanding up to 5kVrms.

### Device Information

| PART NUMBER              | PACKAGE     | BODY SIZE(NOM)    |
|--------------------------|-------------|-------------------|
| CA-IS3720,<br>CA-IS3721, | SOIC8 (S)   | 4.90 mm × 3.90 mm |
| CA-IS3722                | SOIC8-WB(G) | 5.85 mm × 7.50 mm |

### Simplified Channel Structure



Channel A side and B side are separated by isolation capacitors. GND A and GND B are the isolated ground for signals and supplies of A side and B side respectively.

#### 4. Ordering Guide

Table 4-1 Ordering Guide for Valid Ordering Part Number

| Ordering Part Number | Number of Inputs<br>A Side | Number of Inputs<br>B Side | Default<br>Output | Isolation<br>Rating (kV) | Output<br>Enable | Package  |
|----------------------|----------------------------|----------------------------|-------------------|--------------------------|------------------|----------|
| CA-IS3720LS          | 2                          | 0                          | Low               | 3.75                     | No               | SOIC8    |
| CA-IS3720LG          | 2                          | 0                          | Low               | 5.0                      | No               | SOIC8-WB |
| CA-IS3720HS          | 2                          | 0                          | High              | 3.75                     | No               | SOIC8    |
| CA-IS3720HG          | 2                          | 0                          | High              | 5.0                      | No               | SOIC8-WB |
| CA-IS3721LS          | 1                          | 1                          | Low               | 3.75                     | No               | SOIC8    |
| CA-IS3721LG          | 1                          | 1                          | Low               | 5.0                      | No               | SOIC8-WB |
| CA-IS3721HS          | 1                          | 1                          | High              | 3.75                     | No               | SOIC8    |
| CA-IS3721HG          | 1                          | 1                          | High              | 5.0                      | No               | SOIC8-WB |
| CA-IS3722LS          | 1                          | 1                          | Low               | 3.75                     | No               | SOIC8    |
| CA-IS3722LG          | 1                          | 1                          | Low               | 5.0                      | No               | SOIC8-WB |
| CA-IS3722HS          | 1                          | 1                          | High              | 3.75                     | No               | SOIC8    |
| CA-IS3722HG          | 1                          | 1                          | High              | 5.0                      | No               | SOIC8-WB |

## Table of Contents

|   |          |   |           |
|---|----------|---|-----------|
| <b>1. Key Features .....</b>  | <b>1</b> |   |           |
| <b>2. Applications.....</b>   | <b>1</b> |   |           |
| <b>3. Description .....</b>   | <b>1</b> |   |           |
| <b>4. Ordering Guide .....</b>  | <b>2</b> |   |           |
| <b>5. PIN Descriptions and Functions .....</b>                                    | <b>4</b> |   |           |
| <b>6. Specifications.....</b>   | <b>5</b> |   |           |
| 6.1. Absolute Maximum Ratings .....   | 5        |   |           |
| 6.2. ESD Ratings.....   | 5        |   |           |
| 6.3. Recommended Operating Conditions .....                                       | 5        |   |           |
| 6.4. Thermal Information .....  | 6        |   |           |
| 6.5. Power Rating .....   | 6        |   |           |
| 6.6. Insulation Specifications .....  | 7        |   |           |
| 6.7. Safety-Related Certifications .....  | 8        |   |           |
| 6.8. Electrical Characteristics .....   | 9        |   |           |
| 6.8.1. $V_{DDA} = V_{DDB} = 5 V \pm 10\%$ , $T_A = -40$ to $125^{\circ}C$ .....   | 9        | 6.9.1. $V_{DDA} = V_{DDB} = 5 V \pm 10\%$ , $T_A = -40$ to $125^{\circ}C$ .....   | 10        |
| 6.8.2. $V_{DDA} = V_{DDB} = 3.3 V \pm 10\%$ , $T_A = -40$ to $125^{\circ}C$ ..... | 9        | 6.9.2. $V_{DDA} = V_{DDB} = 3.3 V \pm 10\%$ , $T_A = -40$ to $125^{\circ}C$ ..... | 11        |
| 6.8.3. $V_{DDA} = V_{DDB} = 2.5 V \pm 5\%$ , $T_A = -40$ to $125^{\circ}C$ .....  | 9        | 6.9.3. $V_{DDA} = V_{DDB} = 2.5 V \pm 5\%$ , $T_A = -40$ to $125^{\circ}C$ .....  | 12        |
| 6.9. Supply Current Characteristics .....   | 10       | 6.10. Timing Characteristics.....   | 13        |
|   |          | 6.10.1. $V_{DDA} = V_{DDB} = 5 V \pm 10\%$ , $T_A = -40$ to $125^{\circ}C$ ...    | 13        |
|   |          | 6.10.2. $V_{DDA} = V_{DDB} = 3.3 V \pm 10\%$ , $T_A = -40$ to $125^{\circ}C$ ...  | 13        |
|   |          | 6.10.3. $V_{DDA} = V_{DDB} = 2.5 V \pm 5\%$ , $T_A = -40$ to $125^{\circ}C$ ..    | 13        |
|   |          | <b>7. Parameter Measurement Information .....</b>                                 | <b>14</b> |
|   |          | <b>8. Detailed Description .....</b>  | <b>16</b> |
|   |          | 8.1. Theory of Operation .....  | 16        |
|   |          | 8.2. Functional Block Diagram .....   | 16        |
|   |          | 8.3. Device Operation Modes .....   | 17        |
|   |          | <b>9. Application and Implementation .....</b>                                    | <b>18</b> |
|   |          | <b>10. Package Information .....</b>  | <b>19</b> |
|   |          | 10.1. 8-Pin SOIC Package .....  | 19        |
|   |          | 10.2. 8-Pin Wide Body SOIC Package .....  | 20        |
|   |          | <b>TAPE AND REEL INFORMATION .....</b>  | <b>21</b> |

## 5. PIN Descriptions and Functions

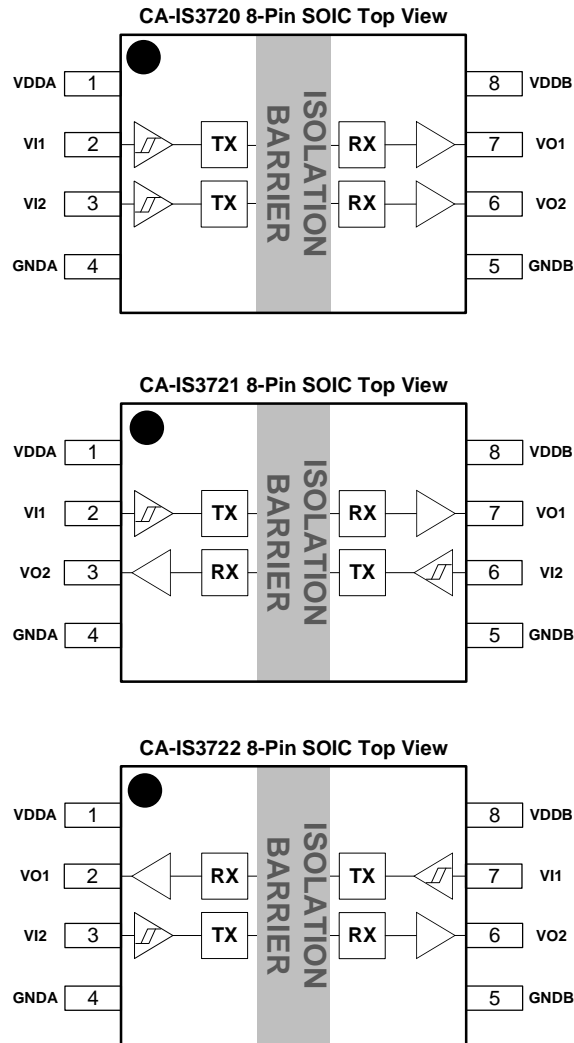


Figure 5-1 CA-IS372x in 8-Pin SOIC and 8-Pin Wide Body SOIC Package Top View

Table 5-1 CA-IS372x in 8-Pin SOIC and 8-Pin Wide Body SOIC Package Pin Description and Functions

| Name    | SOIC8 Pin# | Type        | Description  |
|---------|------------|-------------|--|
| VDDA    | 1          | Supply      | Side A Power Supply  |
| VI1/VO1 | 2          | Digital I/O | Side A Digital Input for CA-IS3720/21 or Output for CA-IS3722  |
| VI2/VO2 | 3          | Digital I/O | Side A Digital Input for CA-IS3720/22 or Output for CA-IS3721. |
| GNDA    | 4          | Ground      | Side A Ground  |
| GNDB    | 5          | Ground      | Side B Ground  |
| VI2/VO2 | 6          | Digital I/O | Side B Digital Input for CA-IS3721 or Output for CA-IS3720/22. |
| VI1/VO1 | 7          | Digital I/O | Side B Digital Input for CA-IS3722 or Output for CA-IS3720/21. |
| VDDB    | 8          | Supply      | Side B Power Supply  |

## 6. Specifications

### 6.1. Absolute Maximum Ratings<sup>1</sup>

|                    |                             | MIN  | MAX             | UNIT |
|--------------------|-----------------------------|------|-----------------|------|
| $V_{DDA}, V_{DDB}$ | Supply Voltage <sup>2</sup> | -0.5 | 6.0             | V    |
| $V_{in}$           | Voltage at Ax, Bx, ENx      | -0.5 | $V_{DDA}+0.5^3$ | V    |
| $I_O$              | Output Current              | -20  | 20              | mA   |
| $T_J$              | Junction Temperature        |      | 150             | °C   |
| $T_{STG}$          | Storage Temperature         | -65  | 150             | °C   |

**NOTE:**

- Stresses beyond those listed under *Absolute Maximum Ratings* may cause permanent damage to the device. These are stress ratings only and functional operation of the device at these or any other conditions beyond those indicated under *Recommended Operating Conditions* is not implied. Exposure to absolute-maximum-rated conditions for extended periods may affect device reliability.
- All voltage values except differential I/O bus voltages are with respect to the local ground terminal (GNDA or GNDB) and are peak voltage values.
- Maximum voltage must not exceed 6 V.

### 6.2. ESD Ratings

|                                   |  | VALUE | UNIT |
|-----------------------------------|--|-------|------|
| $V_{ESD}$ Electrostatic discharge | Human body model (HBM), per ANSI/ESDA/JEDEC JS-001, all pins <sup>1</sup>              | ±4000 | V    |
|                                   | Charged device model (CDM), per JEDEC specification JESD22-C101, all pins <sup>2</sup> | ±1000 |      |

**NOTE:**

- JEDEC document JEP155 states that 500-V HBM allows safe manufacturing with a standard ESD control process.
- JEDEC document JEP157 states that 250-V CDM allows safe manufacturing with a standard ESD control process.

### 6.3. Recommended Operating Conditions

|                    |   | MIN              | TYP  | MAX   | UNIT |
|--------------------|---|------------------|------|-------|------|
| $V_{DDA}, V_{DDB}$ | Supply Voltage  | 2.375            | 3.3  | 5.5   | V    |
| $V_{DD} (UVLO+)$   | VDD Undervoltage Threshold When Supply Voltage is Rising  | 1.95             | 2.24 | 2.375 | V    |
| $V_{DD} (UVLO-)$   | VDD Undervoltage Threshold When Supply Voltage is Falling | 1.88             | 2.10 | 2.325 | V    |
| $V_{HYS} (UVLO)$   | VDD Undervoltage Threshold Hysteresis                     | 70               | 140  | 250   | mV   |
| $I_{OH}$           | High-level Output Current                                 | $V_{DDO}^1 = 5V$ | -4   |       | mA   |
|                    |   | $V_{DDO} = 3.3V$ | -2   |       |      |
|                    |   | $V_{DDO} = 2.5V$ | -1   |       |      |
| $I_{OL}$           | Low-level Output Current                                  | $V_{DDO} = 5V$   |      | 4     | mA   |
|                    |   | $V_{DDO} = 3.3V$ |      | 2     |      |
|                    |   | $V_{DDO} = 2.5V$ |      | 1     |      |
| $V_{IH}$           | High-level Input Voltage                                  | 2.0              |      |       | V    |
| $V_{IL}$           | Low-level Input Voltage                                   |                  |      | 0.8   | V    |
| DR                 | Data Rate   | 0                |      | 150   | Mbps |
| $T_A$              | Ambient Temperature                                       | -40              | 27   | 125   | °C   |

**NOTE:**

- $V_{DDO}$  = Output-side  $V_{DD}$

#### 6.4. Thermal Information

| THERMAL METRIC           |  | CA-IS372x |         | UNIT |
|--------------------------|--|-----------|---------|------|
|                          |  | S (SOIC)  | G(SOIC) |      |
|                          |  | 8 Pins    | 8 Pins  |      |
| R <sub>θJA</sub>         | Junction-to-ambient thermal resistance       | 109.0     | 92.3    | °C/W |
| R <sub>θJC(top)</sub>    | Junction-to-case(top) thermal resistance     | 54.4      | 45.3    | °C/W |
| R <sub>θJB</sub>         | Junction-to-board thermal resistance         | 52.0      | 50.5    | °C/W |
| ψ <sub>JT</sub>          | Junction-to-top characterization parameter   | 13.2      | 14.0    | °C/W |
| ψ <sub>JB</sub>          | Junction-to-board characterization parameter | 51.5      | 49.3    | °C/W |
| R <sub>θJC(bottom)</sub> | Junction-to-case(bottom) thermal resistance  | n/a       | n/a     | °C/W |

#### 6.5. Power Rating

| PARAMETER        |                                     | TEST CONDITIONS  | MIN | TYP | MAX | UNIT |
|------------------|-------------------------------------|--|-----|-----|-----|------|
| <b>CA-IS3720</b> |                                     |  |     |     |     |      |
| P <sub>D</sub>   | Maximum Power Dissipation           | V <sub>DDA</sub> = V <sub>DDB</sub> = 5.5 V, C <sub>L</sub> = 15 pF,<br>T <sub>J</sub> = 150°C, Input a 75-MHz 50% duty<br>cycle square wave |     |     | 120 | mW   |
| P <sub>DA</sub>  | Maximum Power Dissipation on Side-A |  |     |     | 20  | mW   |
| P <sub>DB</sub>  | Maximum Power Dissipation on Side-B |  |     |     | 100 | mW   |
| <b>CA-IS3721</b> |                                     |  |     |     |     |      |
| P <sub>D</sub>   | Maximum Power Dissipation           | V <sub>DDA</sub> = V <sub>DDB</sub> = 5.5 V, C <sub>L</sub> = 15 pF,<br>T <sub>J</sub> = 150°C, Input a 75-MHz 50% duty<br>cycle square wave |     |     | 120 | mW   |
| P <sub>DA</sub>  | Maximum Power Dissipation on Side-A |  |     |     | 60  | mW   |
| P <sub>DB</sub>  | Maximum Power Dissipation on Side-B |  |     |     | 60  | mW   |
| <b>CA-IS3722</b> |                                     |  |     |     |     |      |
| P <sub>D</sub>   | Maximum Power Dissipation           | V <sub>DDA</sub> = V <sub>DDB</sub> = 5.5 V, C <sub>L</sub> = 15 pF,<br>T <sub>J</sub> = 150°C, Input a 75-MHz 50% duty<br>cycle square wave |     |     | 120 | mW   |
| P <sub>DA</sub>  | Maximum Power Dissipation on Side-A |  |     |     | 60  | mW   |
| P <sub>DB</sub>  | Maximum Power Dissipation on Side-B |  |     |     | 60  | mW   |

**6.6. Insulation Specifications**

| PARAMETR   |   | TEST CONDITIONS   | VALUE             |                   | UNIT             |
|--|---|---|-------------------|-------------------|------------------|
|  |   |   | G                 | S                 |                  |
| CLR  | External clearance <sup>1</sup>                   | Shortest terminal-to-terminal distance through air  | 8                 | 4                 | mm               |
| CPG  | External creepage <sup>1</sup>                    | Shortest terminal-to-terminal distance across the package surface   | 8                 | 4                 | mm               |
| DTI  | Distance through the insulation                   | Minimum internal gap (internal clearance)   | 14                | 14                | μm               |
| CTI  | Comparative tracking index                        | DIN EN 60112 (VDE 0303-11); IEC 60112   | >600              | >600              | V                |
|  | Material group                                    | According to IEC 60664-1  | I                 | I                 |                  |
|  | Overvoltage category per IEC 60664-1              | Rated mains voltage ≤ 300 V <sub>RMS</sub>  | I-IV              | I-III             |                  |
|  |   | Rated mains voltage ≤ 400 V <sub>RMS</sub>  | I-IV              | I-III             |                  |
|  |   | Rated mains voltage ≤ 600 V <sub>RMS</sub>  | I-III             | n/a               |                  |
| <b>DIN V VDE V 0884-11:2017-01<sup>2</sup></b>   |   |   |                   |                   |                  |
| V <sub>IORM</sub>  | Maximum repetitive peak isolation voltage         | AC voltage (bipolar)  | 1414              | 637               | V <sub>PK</sub>  |
| V <sub>IOWM</sub>  | Maximum working isolation voltage                 | AC voltage; Time dependent dielectric breakdown (TDDB) Test   | 1000              | 450               | V <sub>RMS</sub> |
|  |   | DC voltage  | 1414              | 637               | V <sub>DC</sub>  |
| V <sub>IOTM</sub>  | Maximum transient isolation voltage               | V <sub>TEST</sub> = V <sub>IOTM</sub> ,<br>t = 60 s (qualification);<br>V <sub>TEST</sub> = 1.2 × V <sub>IOTM</sub> ,<br>t = 1 s (100% production)  | 7070              | 5300              | V <sub>PK</sub>  |
| V <sub>IOSM</sub>  | Maximum surge isolation voltage <sup>3</sup>      | Test method per IEC 60065, 1.2/50 μs waveform,<br>V <sub>TEST</sub> = 1.6 × V <sub>IOSM</sub> (qualification)   | 6250              | 5000              | V <sub>PK</sub>  |
| Q <sub>pd</sub>  | Apparent charge <sup>4</sup>                      | Method a, After Input/Output safety test subgroup 2/3,<br>V <sub>ini</sub> = V <sub>IOTM</sub> , t <sub>ini</sub> = 60 s;<br>V <sub>pd(m)</sub> = 1.2 × V <sub>IORM</sub> , t <sub>m</sub> = 10 s                             | ≤5                | ≤5                | pC               |
|  |   | Method a, After environmental tests subgroup 1,<br>V <sub>ini</sub> = V <sub>IOTM</sub> , t <sub>ini</sub> = 60 s;<br>V <sub>pd(m)</sub> = 1.6 × V <sub>IORM</sub> , t <sub>m</sub> = 10 s                                    | ≤5                | ≤5                |                  |
|  |   | Method b1, At routine test (100% production) and preconditioning (type test)<br>V <sub>ini</sub> = 1.2 × V <sub>IOTM</sub> , t <sub>ini</sub> = 1 s;<br>V <sub>pd(m)</sub> = 1.875 × V <sub>IORM</sub> , t <sub>m</sub> = 1 s | ≤5                | ≤5                |                  |
| C <sub>IO</sub>  | Barrier capacitance, input to output <sup>5</sup> | V <sub>IO</sub> = 0.4 × sin(2πft), f = 1 MHz  | ~0.5              | ~0.5              | pF               |
| R <sub>IO</sub>  | Isolation resistance <sup>5</sup>                 | V <sub>IO</sub> = 500 V, T <sub>A</sub> = 25°C  | >10 <sup>12</sup> | >10 <sup>12</sup> | Ω                |
|  |   | V <sub>IO</sub> = 500 V, 100°C ≤ T <sub>A</sub> ≤ 125°C   | >10 <sup>11</sup> | >10 <sup>11</sup> |                  |
|  |   | V <sub>IO</sub> = 500 V at T <sub>S</sub> = 150°C   | >10 <sup>9</sup>  | >10 <sup>9</sup>  |                  |
|  | Pollution degree                                  |   | 2                 | 2                 |                  |
| <b>UL 1577</b>   |   |   |                   |                   |                  |
| V <sub>ISO</sub>   | Maximum withstanding isolation voltage            | V <sub>TEST</sub> = V <sub>ISO</sub> , t = 60 s (qualification),<br>V <sub>TEST</sub> = 1.2 × V <sub>ISO</sub> , t = 1 s (100% production)  | 5000              | 3750              | V <sub>RMS</sub> |
| <b>NOTE:</b>   |   |   |                   |                   |                  |
| 1. Creepage and clearance requirements should be applied according to the specific equipment isolation standards of an application. Care should be taken to maintain the creepage and clearance distance of a board design to ensure that the mounting pads of the isolator on the printed-circuit board do not reduce this distance. Creepage and clearance on a printed-circuit board become equal in certain cases. Techniques such as inserting grooves and/or ribs on a printed circuit board are used to help increase these specifications.<br>2. This coupler is suitable for safe electrical insulation only within the safety ratings. Compliance with the safety ratings shall be ensured by means of suitable protective circuits.<br>3. Testing is carried out in air or oil to determine the intrinsic surge immunity of the isolation barrier.<br>4. Apparent charge is electrical discharge caused by a partial discharge (pd).<br>5. All pins on each side of the barrier tied together creating a two-terminal device. |   |   |                   |                   |                  |

## 6.7. Safety-Related Certifications

| VDE(Pending)                                       | CSA(Pending)  | UL(Pending)  | CQC(Pending)                         | TUV(Pending)  |
|--|---|--|--------------------------------------|---|
| Certified according to DIN V VDE V 0884-11:2017-01 | Certified according to IEC 60950-1, IEC 62368-1 and IEC 60601-1 | Recognized under UL 1577 Component Recognition Program | Certified according to GB4943.1-2011 | Certified according to EN 61010-1:2010 (3rd Ed) and EN 60950-1:2006/A2:2013 |
|  |   |  |                                      |   |



上海川土微电子有限公司

**6.8. Electrical Characteristics**
**6.8.1.  $V_{DDA} = V_{DDB} = 5\text{ V} \pm 10\%$ ,  $T_A = -40$  to  $125^\circ\text{C}$** 

| PARAMETER                                    | TEST CONDITIONS  | MIN               | TYP  | MAX  | UNIT                    |
|--|--|-------------------|------|------|-------------------------|
| $V_{OH}$ High-level Output Voltage           | $I_{OH} = -4\text{mA}$ ; <i>See Figure 7-1</i>   | $V_{DDO}^{1-0.4}$ | 4.8  |      | V                       |
| $V_{OL}$ Low-level Output Voltage            | $I_{OL} = 4\text{mA}$ ; <i>See Figure 7-1</i>  |                   | 0.2  | 0.4  | V                       |
| $V_{IT+(IN)}$ Positive-going Input Threshold |  | 1.4               | 1.67 | 1.9  | V                       |
| $V_{IT-(IN)}$ Negative-going Input Threshold |  | 1.0               | 1.23 | 1.4  | V                       |
| $V_{I(HYS)}$ Input Threshold Hysteresis      |  | 0.30              | 0.44 | 0.50 | V                       |
| $I_{IH}$ High-Level Input Leakage Current    | $V_{IH} = V_{DDA}$ at Ax or Bx or ENx  |                   |      | 4    | $\mu\text{A}$           |
| $I_{IL}$ Low-Level Input Leakage Current     | $V_{IL} = 0\text{ V}$ at Ax or Bx  | -4                |      |      | $\mu\text{A}$           |
| $Z_O$ Output Impedance <sup>2</sup>          |  |                   | 50   |      | $\Omega$                |
| CMTI Common-mode Transient Immunity          | $V_I = V_{DDI}^1$ or 0 V, $V_{CM} = 1200\text{ V}$ ; <i>See Figure 7-3</i>                   | 75                | 100  |      | $\text{kV}/\mu\text{s}$ |
| $C_i$ Input Capacitance <sup>3</sup>         | $V_I = V_{DD}/2 + 0.4 \times \sin(2\pi f t)$ , $f = 1\text{ MHz}$ ,<br>$V_{DD} = 5\text{ V}$ |                   | 2    |      | pF                      |

**NOTE:**

- $V_{DDI}$  = Input-side  $V_{DD}$ ,  $V_{DDO}$  = Output-side  $V_{DD}$
- The nominal output impedance of an isolator driver channel is approximately  $50\ \Omega \pm 40\%$ .
- Measured from pin to Ground.

**6.8.2.  $V_{DDA} = V_{DDB} = 3.3\text{ V} \pm 10\%$ ,  $T_A = -40$  to  $125^\circ\text{C}$** 

| PARAMETER                                    | TEST CONDITIONS  | MIN               | TYP  | MAX  | UNIT                    |
|--|--|-------------------|------|------|-------------------------|
| $V_{OH}$ High-level Output Voltage           | $I_{OH} = -4\text{mA}$ ; <i>See Figure 7-1</i>   | $V_{DDO}^{1-0.4}$ | 3.1  |      | V                       |
| $V_{OL}$ Low-level Output Voltage            | $I_{OL} = 4\text{mA}$ ; <i>See Figure 7-1</i>  |                   | 0.2  | 0.4  | V                       |
| $V_{IT+(IN)}$ Positive-going Input Threshold |  | 1.4               | 1.67 | 1.9  | V                       |
| $V_{IT-(IN)}$ Negative-going Input Threshold |  | 1.0               | 1.23 | 1.4  | V                       |
| $V_{I(HYS)}$ Input Threshold Hysteresis      |  | 0.30              | 0.44 | 0.50 | V                       |
| $I_{IH}$ High-Level Input Leakage Current    | $V_{IH} = V_{DDA}$ at Ax or Bx or ENx  |                   |      | 4    | $\mu\text{A}$           |
| $I_{IL}$ Low-Level Input Leakage Current     | $V_{IL} = 0\text{ V}$ at Ax or Bx  | -4                |      |      | $\mu\text{A}$           |
| $Z_O$ Output Impedance <sup>2</sup>          |  |                   | 50   |      | $\Omega$                |
| CMTI Common-mode Transient Immunity          | $V_I = V_{DDI}^1$ or 0 V, $V_{CM} = 1200\text{ V}$ ; <i>See Figure 7-3</i>                     | 75                | 100  |      | $\text{kV}/\mu\text{s}$ |
| $C_i$ Input Capacitance <sup>3</sup>         | $V_I = V_{DD}/2 + 0.4 \times \sin(2\pi f t)$ , $f = 1\text{ MHz}$ ,<br>$V_{DD} = 3.3\text{ V}$ |                   | 2    |      | pF                      |

**NOTE:**

- $V_{DDI}$  = Input-side  $V_{DD}$ ,  $V_{DDO}$  = Output-side  $V_{DD}$
- The nominal output impedance of an isolator driver channel is approximately  $50\ \Omega \pm 40\%$ .
- Measured from pin to Ground.

**6.8.3.  $V_{DDA} = V_{DDB} = 2.5\text{ V} \pm 5\%$ ,  $T_A = -40$  to  $125^\circ\text{C}$** 

| PARAMETER                                    | TEST CONDITIONS  | MIN               | TYP  | MAX  | UNIT                    |
|--|--|-------------------|------|------|-------------------------|
| $V_{OH}$ High-level Output Voltage           | $I_{OH} = -4\text{mA}$ ; <i>See Figure 7-1</i>   | $V_{DDO}^{1-0.4}$ | 2.3  |      | V                       |
| $V_{OL}$ Low-level Output Voltage            | $I_{OL} = 4\text{mA}$ ; <i>See Figure 7-1</i>  |                   | 0.2  | 0.4  | V                       |
| $V_{IT+(IN)}$ Positive-going Input Threshold |  | 1.4               | 1.67 | 1.9  | V                       |
| $V_{IT-(IN)}$ Negative-going Input Threshold |  | 1.0               | 1.23 | 1.4  | V                       |
| $V_{I(HYS)}$ Input Threshold Hysteresis      |  | 0.30              | 0.44 | 0.50 | V                       |
| $I_{IH}$ High-Level Input Leakage Current    | $V_{IH} = V_{DDA}$ at Ax or Bx or ENx  |                   |      | 4    | $\mu\text{A}$           |
| $I_{IL}$ Low-Level Input Leakage Current     | $V_{IL} = 0\text{ V}$ at Ax or Bx  | -4                |      |      | $\mu\text{A}$           |
| $Z_O$ Output Impedance <sup>2</sup>          |  |                   | 50   |      | $\Omega$                |
| CMTI Common-mode Transient Immunity          | $V_I = V_{DDI}^1$ or 0 V, $V_{CM} = 1200\text{ V}$ ; <i>See Figure 7-3</i>                     | 75                | 100  |      | $\text{kV}/\mu\text{s}$ |
| $C_i$ Input Capacitance <sup>3</sup>         | $V_I = V_{DD}/2 + 0.4 \times \sin(2\pi f t)$ , $f = 1\text{ MHz}$ ,<br>$V_{DD} = 2.5\text{ V}$ |                   | 2    |      | pF                      |

**NOTE:**

- $V_{DDI}$  = Input-side  $V_{DD}$ ,  $V_{DDO}$  = Output-side  $V_{DD}$
- The nominal output impedance of an isolator driver channel is approximately  $50\ \Omega \pm 40\%$ .
- Measured from pin to Ground.

**6.9. Supply Current Characteristics**
**6.9.1.  $V_{DDA} = V_{ddb} = 5\text{ V} \pm 10\%$ ,  $T_A = -40$  to  $125^\circ\text{C}$** 

| PARAMETER                          | TEST CONDITION  | SUPPLY CURRENT  | MIN       | TYP  | MAX  | UNIT |
|------------------------------------|---|-----------------|-----------|------|------|------|
| <b>CA-IS3720</b>                   |   |                 |           |      |      |      |
| Supply Current – DC Signal         | $V_{IN} = 0\text{V}$ (CA-IS3720L);<br>$V_{IN} = V_{DDI}^1$ (CA-IS3720H)   | $I_{DDA}$       |           | 0.8  | 1.2  | mA   |
|                                    |   | $I_{ddb}$       |           | 1.6  | 2.3  |      |
|                                    | $V_{IN} = V_{DDI}$ (CA-IS3720L);<br>$V_{IN} = 0\text{V}$ (CA-IS3720H)   | $I_{DDA}$       |           | 2.3  | 3.5  |      |
|                                    |   | $I_{ddb}$       |           | 1.6  | 2.4  |      |
| Supply Current – AC Signal         | All Channels Switching with 50% Duty Cycle Square Wave Clock Input with 5V Amplitude; $C_L = 15\text{ pF}$ for Each Channel | 1Mbps (500kHz)  | $I_{DDA}$ | 1.6  | 2.3  |      |
|                                    |   |                 | $I_{ddb}$ | 1.7  | 2.6  |      |
|                                    |   | 10Mbps (5MHz)   | $I_{DDA}$ | 1.6  | 2.3  |      |
|                                    |   |                 | $I_{ddb}$ | 2.7  | 4.0  |      |
|                                    |   | 100Mbps (50MHz) | $I_{DDA}$ | 1.6  | 2.3  |      |
|                                    |   |                 | $I_{ddb}$ | 12.2 | 18.2 |      |
| <b>CA-IS3721</b>                   |   |                 |           |      |      |      |
| Supply Current – DC Signal         | $V_{IN} = 0\text{V}$ (CA-IS3721L);<br>$V_{IN} = V_{DDI}$ (CA-IS3721H)   | $I_{DDA}$       |           | 1.3  | 2.0  | mA   |
|                                    |   | $I_{ddb}$       |           | 1.3  | 2.0  |      |
|                                    | $V_{IN} = V_{DDI}$ (CA-IS3721L);<br>$V_{IN} = 0\text{V}$ (CA-IS3721H)   | $I_{DDA}$       |           | 2.1  | 3.1  |      |
|                                    |   | $I_{ddb}$       |           | 2.1  | 3.1  |      |
| Supply Current – AC Signal         | All Channels Switching with 50% Duty Cycle Square Wave Clock Input with 5V Amplitude; $C_L = 15\text{ pF}$ for Each Channel | 1Mbps (500kHz)  | $I_{DDA}$ | 1.8  | 2.6  |      |
|                                    |   |                 | $I_{ddb}$ | 1.8  | 2.6  |      |
|                                    |   | 10Mbps (5MHz)   | $I_{DDA}$ | 2.2  | 3.3  |      |
|                                    |   |                 | $I_{ddb}$ | 2.2  | 3.3  |      |
|                                    |   | 100Mbps (50MHz) | $I_{DDA}$ | 7.0  | 10.5 |      |
|                                    |   |                 | $I_{ddb}$ | 7.0  | 10.5 |      |
| <b>CA-IS3722</b>                   |   |                 |           |      |      |      |
| Supply Current – DC Signal         | $V_{IN} = 0\text{V}$ (CA-IS3722L);<br>$V_{IN} = V_{DDI}$ (CA-IS3722H)   | $I_{DDA}$       |           | 1.3  | 2.0  | mA   |
|                                    |   | $I_{ddb}$       |           | 1.3  | 2.0  |      |
|                                    | $V_{IN} = V_{DDI}$ (CA-IS3722L);<br>$V_{IN} = 0\text{V}$ (CA-IS3722H)   | $I_{DDA}$       |           | 2.1  | 3.1  |      |
|                                    |   | $I_{ddb}$       |           | 2.1  | 3.1  |      |
| Supply Current – AC Signal         | All Channels Switching with 50% Duty Cycle Square Wave Clock Input with 5V Amplitude; $C_L = 15\text{ pF}$ for Each Channel | 1Mbps (500kHz)  | $I_{DDA}$ | 1.8  | 2.6  |      |
|                                    |   |                 | $I_{ddb}$ | 1.8  | 2.6  |      |
|                                    |   | 10Mbps (5MHz)   | $I_{DDA}$ | 2.2  | 3.3  |      |
|                                    |   |                 | $I_{ddb}$ | 2.2  | 3.3  |      |
|                                    |   | 100Mbps (50MHz) | $I_{DDA}$ | 7.0  | 10.5 |      |
|                                    |   |                 | $I_{ddb}$ | 7.0  | 10.5 |      |
| <b>Note:</b>                       |   |                 |           |      |      |      |
| 1. $V_{DDI}$ = Input-side $V_{DD}$ |   |                 |           |      |      |      |

**6.9.2.  $V_{DDA} = V_{DDB} = 3.3\text{ V} \pm 10\%$ ,  $T_A = -40$  to  $125^\circ\text{C}$** 

| PARAMETER                          | TEST CONDITION  | SUPPLY CURRENT               | MIN | TYP  | MAX | UNIT |
|------------------------------------|---|------------------------------|-----|------|-----|------|
| <b>CA-IS3720</b>                   |   |                              |     |      |     |      |
| Supply Current – DC Signal         | $V_{IN} = 0\text{V}$ (CA-IS3720L);<br>$V_{IN} = V_{DDI}^1$ (CA-IS3720H)   | $I_{DDA}$                    | 0.8 | 1.2  |     | mA   |
|                                    |   | $I_{DDB}$                    | 1.6 | 2.3  |     |      |
|                                    | $V_{IN} = V_{DDI}$ (CA-IS3720L);<br>$V_{IN} = 0\text{V}$ (CA-IS3720H)   | $I_{DDA}$                    | 2.3 | 3.5  |     |      |
|                                    |   | $I_{DDB}$                    | 1.6 | 2.4  |     |      |
| Supply Current – AC Signal         | All Channels Switching with 50% Duty Cycle Square Wave Clock Input with 5V Amplitude; $C_L = 15\text{ pF}$ for Each Channel | 1Mbps (500kHz)<br>$I_{DDA}$  | 1.6 | 2.3  |     |      |
|                                    |   | $I_{DDB}$                    | 1.7 | 2.6  |     |      |
|                                    |   | 10Mbps (5MHz)<br>$I_{DDA}$   | 1.6 | 2.3  |     |      |
|                                    |   | $I_{DDB}$                    | 2.4 | 3.6  |     |      |
|                                    |   | 100Mbps (50MHz)<br>$I_{DDA}$ | 1.6 | 2.3  |     |      |
|                                    |   | $I_{DDB}$                    | 9.2 | 13.7 |     |      |
| <b>CA-IS3721</b>                   |   |                              |     |      |     |      |
| Supply Current – DC Signal         | $V_{IN} = 0\text{V}$ (CA-IS3721L);<br>$V_{IN} = V_{DDI}$ (CA-IS3721H)   | $I_{DDA}$                    | 1.3 | 2.0  |     | mA   |
|                                    |   | $I_{DDB}$                    | 1.3 | 2.0  |     |      |
|                                    | $V_{IN} = V_{DDI}$ (CA-IS3721L);<br>$V_{IN} = 0\text{V}$ (CA-IS3721H)   | $I_{DDA}$                    | 2.1 | 3.1  |     |      |
|                                    |   | $I_{DDB}$                    | 2.1 | 3.1  |     |      |
| Supply Current – AC Signal         | All Channels Switching with 50% Duty Cycle Square Wave Clock Input with 5V Amplitude; $C_L = 15\text{ pF}$ for Each Channel | 1Mbps (500kHz)<br>$I_{DDA}$  | 1.8 | 2.6  |     |      |
|                                    |   | $I_{DDB}$                    | 1.8 | 2.6  |     |      |
|                                    |   | 10Mbps (5MHz)<br>$I_{DDA}$   | 2.1 | 3.2  |     |      |
|                                    |   | $I_{DDB}$                    | 2.1 | 3.2  |     |      |
|                                    |   | 100Mbps (50MHz)<br>$I_{DDA}$ | 5.5 | 8.2  |     |      |
|                                    |   | $I_{DDB}$                    | 5.5 | 8.2  |     |      |
| <b>CA-IS3722</b>                   |   |                              |     |      |     |      |
| Supply Current – DC Signal         | $V_{IN} = 0\text{V}$ (CA-IS3722L);<br>$V_{IN} = V_{DDI}$ (CA-IS3722H)   | $I_{DDA}$                    | 1.3 | 2.0  |     | mA   |
|                                    |   | $I_{DDB}$                    | 1.3 | 2.0  |     |      |
|                                    | $V_{IN} = V_{DDI}$ (CA-IS3722L);<br>$V_{IN} = 0\text{V}$ (CA-IS3722H)   | $I_{DDA}$                    | 2.1 | 3.1  |     |      |
|                                    |   | $I_{DDB}$                    | 2.1 | 3.1  |     |      |
| Supply Current – AC Signal         | All Channels Switching with 50% Duty Cycle Square Wave Clock Input with 5V Amplitude; $C_L = 15\text{ pF}$ for Each Channel | 1Mbps (500kHz)<br>$I_{DDA}$  | 1.8 | 2.6  |     |      |
|                                    |   | $I_{DDB}$                    | 1.8 | 2.6  |     |      |
|                                    |   | 10Mbps (5MHz)<br>$I_{DDA}$   | 2.1 | 3.2  |     |      |
|                                    |   | $I_{DDB}$                    | 2.1 | 3.2  |     |      |
|                                    |   | 100Mbps (50MHz)<br>$I_{DDA}$ | 5.5 | 8.2  |     |      |
|                                    |   | $I_{DDB}$                    | 5.5 | 8.2  |     |      |
| <b>Note:</b>                       |   |                              |     |      |     |      |
| 1. $V_{DDI}$ = Input-side $V_{DD}$ |   |                              |     |      |     |      |

**6.9.3.  $V_{DDA} = V_{DDB} = 2.5\text{ V} \pm 5\%$ ,  $T_A = -40$  to  $125^\circ\text{C}$** 

| PARAMETER                          | TEST CONDITION  | SUPPLY CURRENT  | MIN       | TYP | MAX  | UNIT |
|------------------------------------|---|-----------------|-----------|-----|------|------|
| <b>CA-IS3720</b>                   |   |                 |           |     |      |      |
| Supply Current – DC Signal         | $V_{IN} = 0\text{V}$ (CA-IS3720L);<br>$V_{IN} = V_{DDI}^1$ (CA-IS3720H)   | $I_{DDA}$       | 0.8       | 1.2 |      | mA   |
|                                    |   | $I_{DDB}$       | 1.6       | 2.3 |      |      |
|                                    | $V_{IN} = V_{DDI}$ (CA-IS3720L);<br>$V_{IN} = 0\text{V}$ (CA-IS3720H)   | $I_{DDA}$       | 2.3       | 3.5 |      |      |
|                                    |   | $I_{DDB}$       | 1.6       | 2.4 |      |      |
| Supply Current – AC Signal         | All Channels Switching with 50% Duty Cycle Square Wave Clock Input with 5V Amplitude; $C_L = 15\text{ pF}$ for Each Channel | 1Mbps (500kHz)  | $I_{DDA}$ | 1.6 | 2.3  |      |
|                                    |   |                 | $I_{DDB}$ | 1.7 | 2.6  |      |
|                                    |   | 10Mbps (5MHz)   | $I_{DDA}$ | 1.6 | 2.3  |      |
|                                    |   |                 | $I_{DDB}$ | 2.2 | 3.3  |      |
|                                    |   | 100Mbps (50MHz) | $I_{DDA}$ | 1.6 | 2.3  |      |
|                                    |   |                 | $I_{DDB}$ | 7.2 | 10.7 |      |
| <b>CA-IS3721</b>                   |   |                 |           |     |      |      |
| Supply Current – DC Signal         | $V_{IN} = 0\text{V}$ (CA-IS3721L);<br>$V_{IN} = V_{DDI}$ (CA-IS3721H)   | $I_{DDA}$       | 1.3       | 2.0 |      | mA   |
|                                    |   | $I_{DDB}$       | 1.3       | 2.0 |      |      |
|                                    | $V_{IN} = V_{DDI}$ (CA-IS3721L);<br>$V_{IN} = 0\text{V}$ (CA-IS3721H)   | $I_{DDA}$       | 2.1       | 3.1 |      |      |
|                                    |   | $I_{DDB}$       | 2.1       | 3.1 |      |      |
| Supply Current – AC Signal         | All Channels Switching with 50% Duty Cycle Square Wave Clock Input with 5V Amplitude; $C_L = 15\text{ pF}$ for Each Channel | 1Mbps (500kHz)  | $I_{DDA}$ | 1.8 | 2.6  |      |
|                                    |   |                 | $I_{DDB}$ | 1.8 | 2.6  |      |
|                                    |   | 10Mbps (5MHz)   | $I_{DDA}$ | 2.0 | 3.0  |      |
|                                    |   |                 | $I_{DDB}$ | 2.0 | 3.0  |      |
|                                    |   | 100Mbps (50MHz) | $I_{DDA}$ | 4.5 | 6.7  |      |
|                                    |   |                 | $I_{DDB}$ | 4.5 | 6.7  |      |
| <b>CA-IS3722</b>                   |   |                 |           |     |      |      |
| Supply Current – DC Signal         | $V_{IN} = 0\text{V}$ (CA-IS3722L);<br>$V_{IN} = V_{DDI}$ (CA-IS3722H)   | $I_{DDA}$       | 1.3       | 2.0 |      | mA   |
|                                    |   | $I_{DDB}$       | 1.3       | 2.0 |      |      |
|                                    | $V_{IN} = V_{DDI}$ (CA-IS3722L);<br>$V_{IN} = 0\text{V}$ (CA-IS3722H)   | $I_{DDA}$       | 2.1       | 3.1 |      |      |
|                                    |   | $I_{DDB}$       | 2.1       | 3.1 |      |      |
| Supply Current – AC Signal         | All Channels Switching with 50% Duty Cycle Square Wave Clock Input with 5V Amplitude; $C_L = 15\text{ pF}$ for Each Channel | 1Mbps (500kHz)  | $I_{DDA}$ | 1.8 | 2.6  |      |
|                                    |   |                 | $I_{DDB}$ | 1.8 | 2.6  |      |
|                                    |   | 10Mbps (5MHz)   | $I_{DDA}$ | 2.0 | 3.0  |      |
|                                    |   |                 | $I_{DDB}$ | 2.0 | 3.0  |      |
|                                    |   | 100Mbps (50MHz) | $I_{DDA}$ | 4.5 | 6.7  |      |
|                                    |   |                 | $I_{DDB}$ | 4.5 | 6.7  |      |
| <b>Note:</b>                       |   |                 |           |     |      |      |
| 1. $V_{DDI}$ = Input-side $V_{DD}$ |   |                 |           |     |      |      |

上海川土微电子有限公司

## 6.10. Timing Characteristics

### 6.10.1. $V_{DDA} = V_{DDB} = 5\text{ V} \pm 10\%$ , $T_A = -40$ to $125^\circ\text{C}$

| PARAMETER             |  | TEST CONDITIONS | MIN | TYP | MAX  | UNIT          |
|-----------------------|--|-----------------|-----|-----|------|---------------|
| DR                    | Data Rate  |                 | 0   |     | 150  | Mbps          |
| $PW_{\min}$           | Minimum Pulse Width                              |                 |     |     | 5.0  | ns            |
| $t_{PLH}$ , $t_{PHL}$ | Propagation Delay Time                           | See Figure 7-1  | 5.0 | 8.0 | 13.0 | ns            |
| PWD                   | Pulse Width Distortion $ t_{PLH} - t_{PHL} $     |                 | 0.2 | 4.5 |      | ns            |
| $t_{sk(o)}$           | Channel-to-channel Output Skew Time <sup>1</sup> | Same-direction  | 0.4 | 2.5 |      | ns            |
| $t_{sk(pp)}$          | Part-to-part Skew Time <sup>2</sup>              |                 | 2.0 | 4.5 |      | ns            |
| $t_r$                 | Output Signal Rise Time                          | See Figure 7-1  | 2.5 | 4.0 |      | ns            |
| $t_f$                 | Output Signal Fall Time                          | See Figure 7-1  | 2.5 | 4.0 |      | ns            |
| $t_{DO}$              | Default Output Delay Time from Input Power Loss  | See Figure 7-2  | 8   | 12  |      | ns            |
| $t_{SU}$              | Start-up Time                                    |                 | 15  | 40  |      | $\mu\text{s}$ |

**NOTE:**

- $t_{sk(o)}$  is the skew between outputs of a single device with all driving inputs connected together and the outputs switching in the same direction while driving identical loads.
- $t_{sk(pp)}$  is the magnitude of the difference in propagation delay times between any terminals of different devices switching in the same direction while operating at identical supply voltages, temperature, input signals and loads.

### 6.10.2. $V_{DDA} = V_{DDB} = 3.3\text{ V} \pm 10\%$ , $T_A = -40$ to $125^\circ\text{C}$

| PARAMETER             |  | TEST CONDITIONS | MIN | TYP | MAX  | UNIT          |
|-----------------------|--|-----------------|-----|-----|------|---------------|
| DR                    | Data Rate  |                 | 0   |     | 150  | Mbps          |
| $PW_{\min}$           | Minimum Pulse Width                              |                 |     |     | 5.0  | ns            |
| $t_{PLH}$ , $t_{PHL}$ | Propagation Delay Time                           | See Figure 7-1  | 5.0 | 8.0 | 13.0 | ns            |
| PWD                   | Pulse Width Distortion $ t_{PLH} - t_{PHL} $     |                 | 0.2 | 4.5 |      | ns            |
| $t_{sk(o)}$           | Channel-to-channel Output Skew Time <sup>1</sup> | Same-direction  | 0.4 | 2.5 |      | ns            |
| $t_{sk(pp)}$          | Part-to-part Skew Time <sup>2</sup>              |                 | 2.0 | 4.5 |      | ns            |
| $t_r$                 | Output Signal Rise Time                          | See Figure 7-1  | 2.5 | 4.0 |      | ns            |
| $t_f$                 | Output Signal Fall Time                          | See Figure 7-1  | 2.5 | 4.0 |      | ns            |
| $t_{DO}$              | Default Output Delay Time from Input Power Loss  | See Figure 7-2  | 8   | 12  |      | ns            |
| $t_{SU}$              | Start-up Time                                    |                 | 15  | 40  |      | $\mu\text{s}$ |

**NOTE:**

- $t_{sk(o)}$  is the skew between outputs of a single device with all driving inputs connected together and the outputs switching in the same direction while driving identical loads.
- $t_{sk(pp)}$  is the magnitude of the difference in propagation delay times between any terminals of different devices switching in the same direction while operating at identical supply voltages, temperature, input signals and loads.

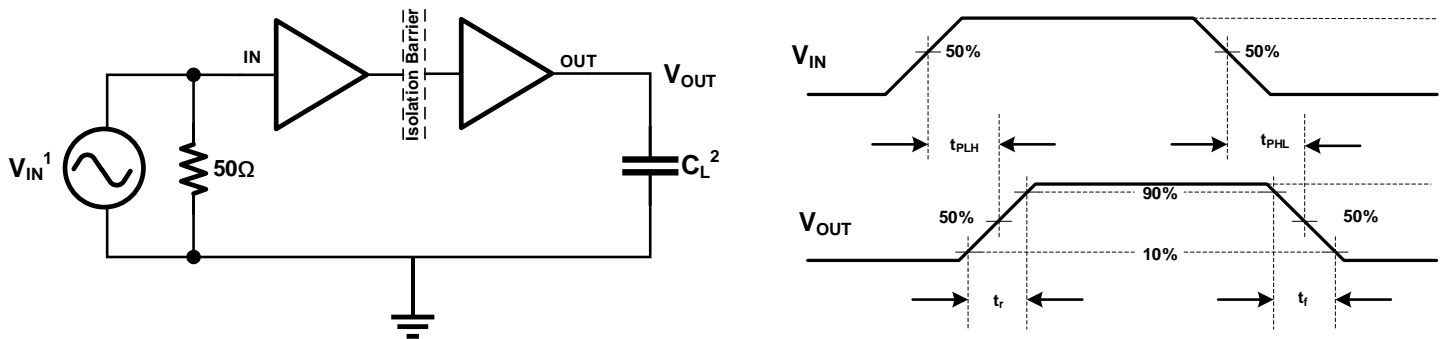
### 6.10.3. $V_{DDA} = V_{DDB} = 2.5\text{ V} \pm 5\%$ , $T_A = -40$ to $125^\circ\text{C}$

| PARAMETER             |  | TEST CONDITIONS | MIN | TYP | MAX  | UNIT          |
|-----------------------|--|-----------------|-----|-----|------|---------------|
| DR                    | Data Rate  |                 | 0   |     | 150  | Mbps          |
| $PW_{\min}$           | Minimum Pulse Width                              |                 |     |     | 5.0  | ns            |
| $t_{PLH}$ , $t_{PHL}$ | Propagation Delay Time                           | See Figure 7-1  | 5.0 | 8.0 | 13.0 | ns            |
| PWD                   | Pulse Width Distortion $ t_{PLH} - t_{PHL} $     |                 | 0.2 | 5.0 |      | ns            |
| $t_{sk(o)}$           | Channel-to-channel Output Skew Time <sup>1</sup> | Same-direction  | 0.4 | 2.5 |      | ns            |
| $t_{sk(pp)}$          | Part-to-part Skew Time <sup>2</sup>              |                 | 2.0 | 5.0 |      | ns            |
| $t_r$                 | Output Signal Rise Time                          | See Figure 7-1  | 2.5 | 4.0 |      | ns            |
| $t_f$                 | Output Signal Fall Time                          | See Figure 7-1  | 2.5 | 4.0 |      | ns            |
| $t_{DO}$              | Default Output Delay Time from Input Power Loss  | See Figure 7-2  | 8   | 12  |      | ns            |
| $t_{SU}$              | Start-up Time                                    |                 | 15  | 40  |      | $\mu\text{s}$ |

**NOTE:**

- $t_{sk(o)}$  is the skew between outputs of a single device with all driving inputs connected together and the outputs switching in the same direction while driving identical loads.
- $t_{sk(pp)}$  is the magnitude of the difference in propagation delay times between any terminals of different devices switching in the same direction while operating at identical supply voltages, temperature, input signals and loads.

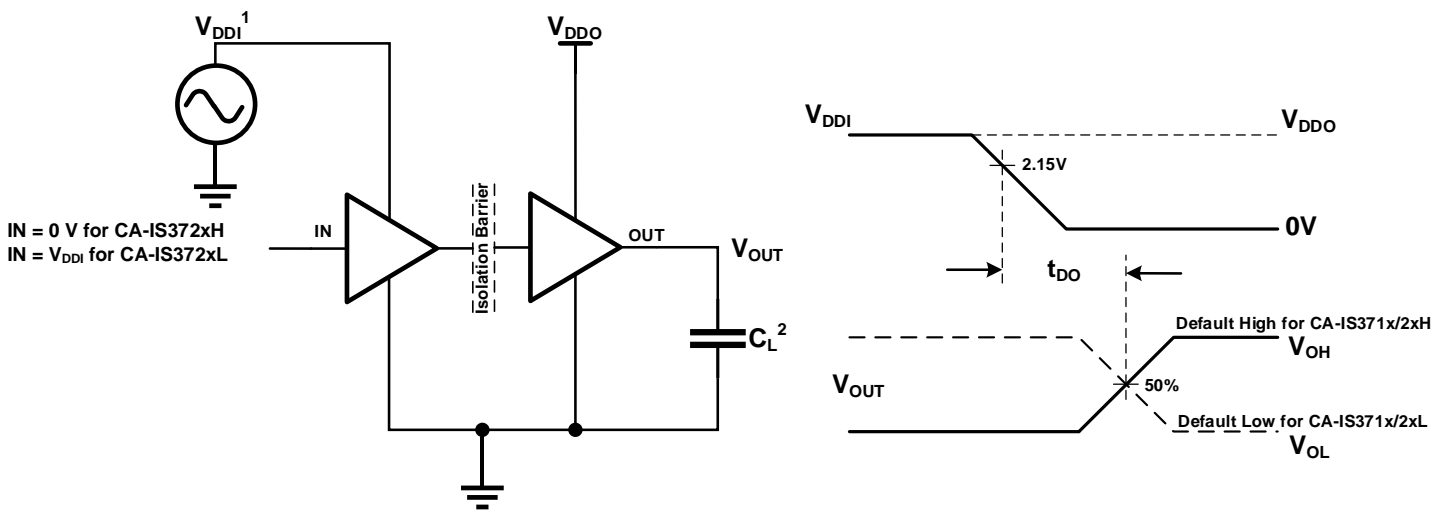
## 7. Parameter Measurement Information



**NOTE:**

1. A square wave generator generate the  $V_{IN}$  input signal with the following constraints: waveform frequency  $\leq 100\text{kHz}$ , 50% duty cycle,  $t_r \leq 3\text{ns}$ ,  $t_f \leq 3\text{ns}$ . Since the waveform generator has an output impedance of  $Z_{out} = 50\Omega$ , the  $50\Omega$  resistor in the figure is used for matching. There is no need in the actual application.
2.  $C_L$  is the load capacitance about 15pF together with the instrumentation capacitance. Since the load capacitance influence the output rising time, it's a key factor in the timing characteristic measurement.

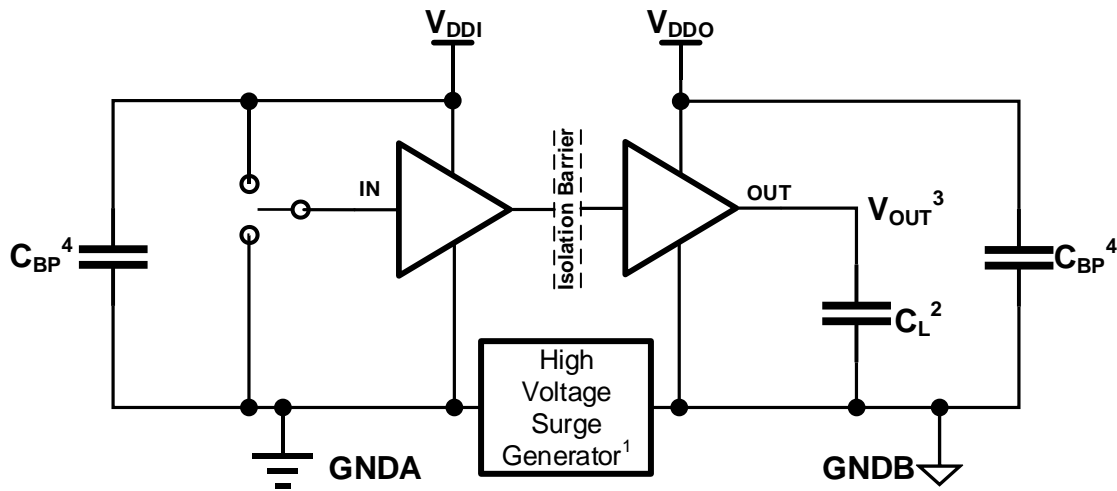
**Figure 7-1 Timing Characteristics Test Circuit and Voltage Waveforms**



**NOTE:**

1. Power Supply Ramp Rate = 10 mV/ns.  $V_{DD1}$  should ramp over 2.15V but no higher than 5.5V.
2.  $C_L$  is the load capacitance about 15pF together with the instrumentation capacitance. Since the load capacitance influence the output rising time, it's a key factor in the timing characteristic measurement.

**Figure 7-2 Default Output Delay Time Test Circuit and Voltage Waveforms**



**NOTE:**

1. The High Voltage Surge Generator generates repetitive high voltage surges with > 1kV amplitude and <10ns rise time and fall time to reach common-mode transient noise with > 100kV/μs slew rate.
2.  $C_L$  is the load capacitance about 15pF together with the instrumentation capacitance.
3. Pass-fail criteria: The output must remain stable whenever the high voltage surges come.
4.  $C_{BP}$  is the 0.1 ~ 1uF bypass capacitance.

**Figure 7-3 Common-Mode Transient Immunity Test Circuit**

## 8. Detailed Description

### 8.1. Theory of Operation

The CA-IS37xx family of devices use a simple ON-OFF keying (OOK) modulation scheme to transmit signal across the SiO<sub>2</sub> isolation capacitors that provide a robust insulation between two different voltage domain and act as a high frequency signal path between the input and the output. The transmitter (TX) modulates the input signal onto the carrier frequency, that is, TX delivers high frequency signal across the isolation barrier in one input state and delivers no signal across the barrier in the other input state. Then the receiver rebuilds the input signal according to the detected in-band energy. This simple architecture offers a robust isolated data path and requires no special considerations or initialization at start-up. The capacitor-based signal path is fully differential to maximize noise immunity, which is also known as common-mode transient immunity. Advanced circuitry techniques are applied for better EMI introduced by the carrier signal and IO switching. The capacitively-coupled architecture provides much higher electromagnetic immunity compared to the inductively-coupled one. And OOK modulation scheme eliminates the missing-pulse error that occurs in the pulse modulation method. A simplified functional block diagram and conceptual operation waveforms of a single channel is shown in Figure 8-1 and Figure 8-2.

### 8.2. Functional Block Diagram

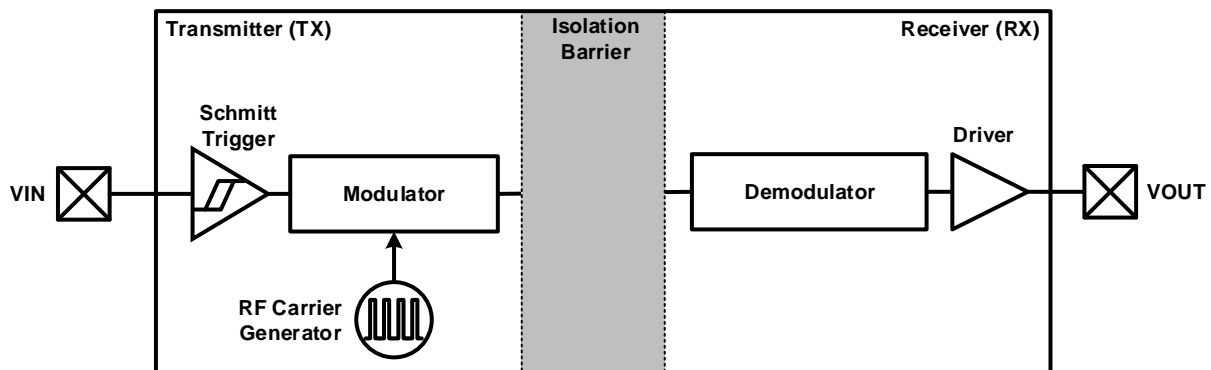


Figure 8-1 Functional Block Diagram of a Single Channel

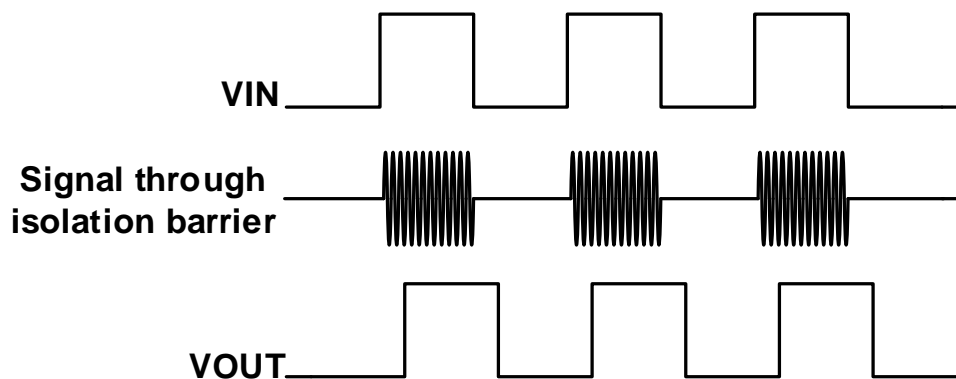


Figure 8-2 Conceptual Operation Waveforms of a Single Channel



### 8.3. Device Operation Modes

Table 8-1 provides the operation modes for the CA-IS372x devices.

**Table 8-1 Operation Mode Table<sup>1</sup>**

| V <sub>DDI</sub> | V <sub>DDO</sub> | INPUT(A <sub>x</sub> /B <sub>x</sub> ) <sup>2</sup> | OUTPUT (A <sub>x</sub> /B <sub>x</sub> ) | OPERATION   |
|------------------|------------------|---|--|---|
| PU               | PU               | H   | H  | Normal operation mode:<br>A channel's output follows the input state  |
|                  |                  | L   | L  |   |
|                  |                  | Open  | Default                                  | Default output fail-safe mode:<br>If a channel's input is left open, its output goes to the default value (Low for CA-IS372xL and High for CA-IS372xH).                   |
| PD               | PU               | X   | Default                                  | Default output fail-safe mode:<br>If the input side VDD is unpowered, the outputs go in to the default output fail-safe mode (Low for CA-IS372xL and High for CA-IS372xH) |
| X                | PD               | X   | Undetermined                             | If the output side VDD is unpowered, the outputs' states are undetermined. <sup>3</sup>   |

**NOTE:**

1. V<sub>DDI</sub> = Input-side VDD; V<sub>DDO</sub> = Output-side VDD; PU = Powered up (VCC ≥ 2.375 V); PD = Powered down (VCC ≤ 2.25 V); X = Irrelevant; H = High level; L = Low level.
2. A strongly driven input signal can weakly power the floating V<sub>DD</sub> through an internal protection diode and cause undetermined output.
3. The outputs are in undetermined state when 2.25V < V<sub>DDI</sub>, V<sub>DDO</sub> < 2.375 V.

## 9. Application and Implementation

Unlike optocouplers, which need external components to improve performance, provide bias, or limit current, the CA-IS372x family device CMOS digital isolator needs only two external VDD bypass capacitors (0.1 $\mu$ F to 1  $\mu$ F) to operate. Its TTL level compatible input terminals draw only micro amps of leakage current, allowing them to be driven without external buffering circuits. The output terminals have a characteristic impedance of 50  $\Omega$  (rail-to-rail swing) and are available in both forward and reverse channel configurations. The circuit of Figure 9-1 is typical for most applications of CA-IS37xx series products and is as easy to use as a standard logic gate.

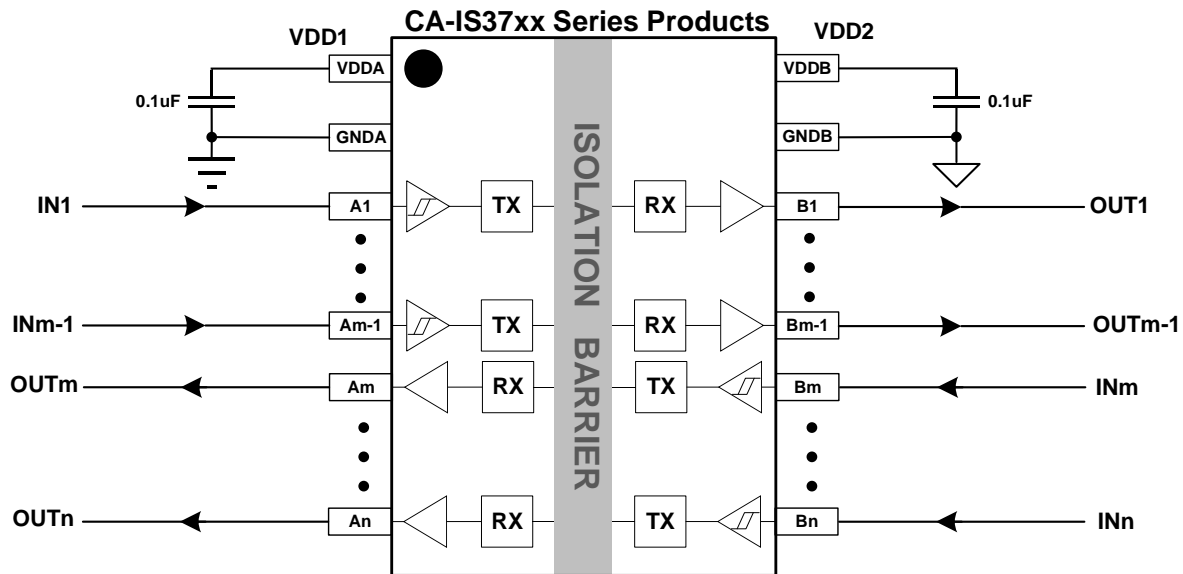


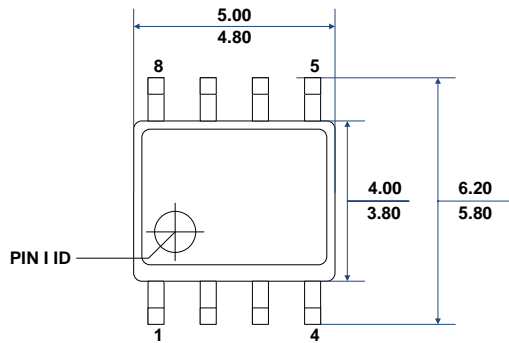
Figure 9-1 CA-IS37xx Series Digital Isolator Application Schematic

上海川土微电子有限公司

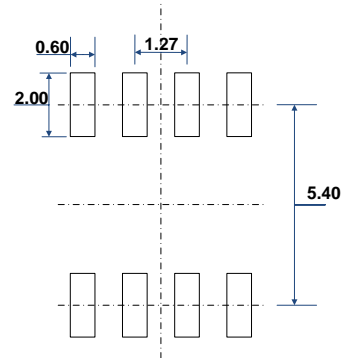
**10. Package Information**

**10.1. 8-Pin SOIC Package**

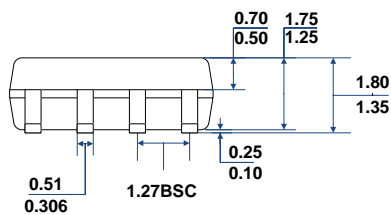
The figure below illustrates the package details and the recommended land pattern details for the CA-IS372x digital isolator in a 8-pin narrow-body SOIC package. The values for the dimensions are shown in millimeters.



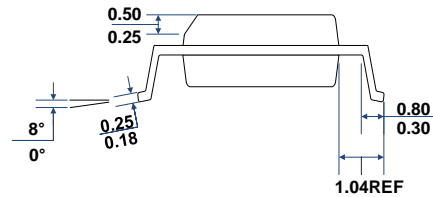
**TOP VIEW**



**RECOMMENDED LAND PATTERN**



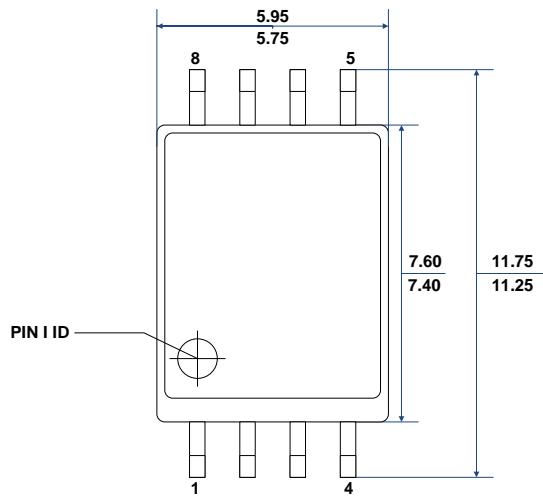
**FRONT VIEW**



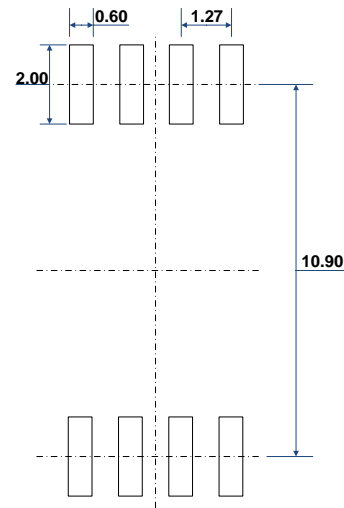
**LEFT-SIDE VIEW**

### 10.2. 8-Pin Wide Body SOIC Package

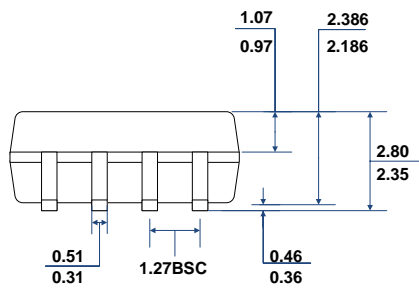
The figure below illustrates the package details and the recommended land pattern details for the CA-IS372x digital isolator in a 8-pin wide body SOIC package. The values for the dimensions are shown in millimeters.



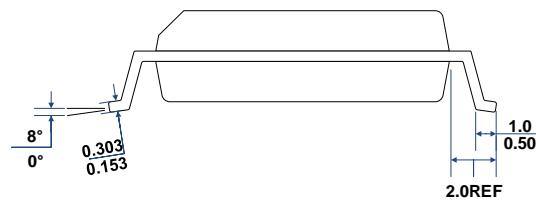
**TOP VIEW**



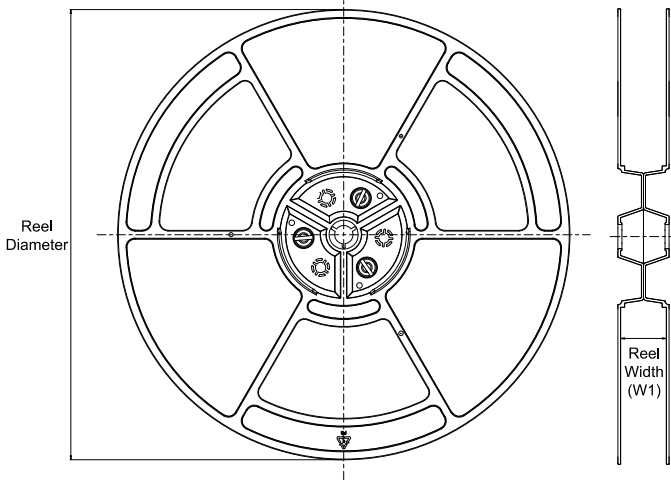
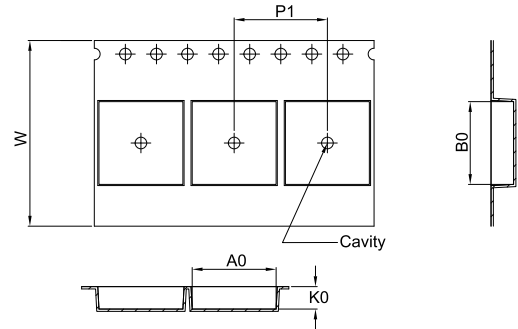
**RECOMMENDED LAND PATTERN**



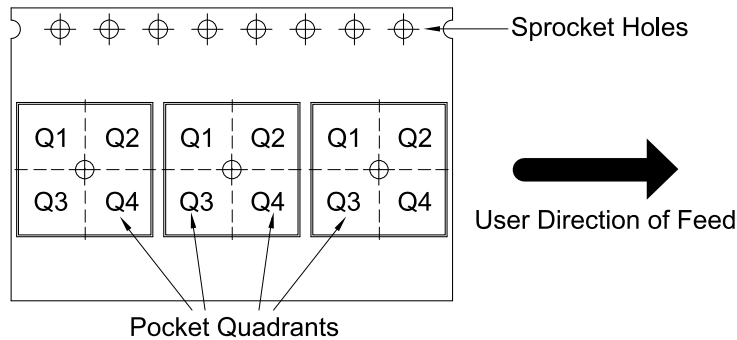
**FRONT VIEW**



**LEFT-SIDE VIEW**

**TAPE AND REEL INFORMATION**
**REEL DIMENSIONS**

**TAPE DIMENSIONS**


|    |   |
|----|---|
| A0 | Dimension designed to accommodate the component width     |
| B0 | Dimension designed to accommodate the component length    |
| K0 | Dimension designed to accommodate the component thickness |
| W  | Overall width of the carrier tape                         |
| P1 | Pitch between successive cavity centers                   |

**QUADRANT ASSIGNMENTS FOR PIN 1 ORIENTATION IN TAPE**


\*All dimensions are nominal

| Device       | Package Type | Package Drawing | Pins | SPQ  | Reel Diameter (mm) | Reel Width W1 (mm) | A0 (mm) | B0 (mm) | K0 (mm) | P1 (mm) | W (mm) | Pin1 Quadrant |
|--------------|--------------|-----------------|------|------|--------------------|--------------------|---------|---------|---------|---------|--------|---------------|
| CA-IS3720LSR | SOIC         | S               | 8    | 2500 | 330                | 12.4               | 6.5     | 5.4     | 2.1     | 8.0     | 12.0   | Q1            |
| CA-IS3720LGR | SOIC         | G               | 8    | 1000 | 330                | 16.4               | 12.05   | 6.15    | 3.3     | 16.0    | 16.0   | Q1            |
| CA-IS3720HSR | SOIC         | S               | 8    | 2500 | 330                | 12.4               | 6.5     | 5.4     | 2.1     | 8.0     | 12.0   | Q1            |
| CA-IS3720HGR | SOIC         | G               | 8    | 1000 | 330                | 16.4               | 12.05   | 6.15    | 3.3     | 16.0    | 16.0   | Q1            |
| CA-IS3721LSR | SOIC         | S               | 8    | 2500 | 330                | 12.4               | 6.5     | 5.4     | 2.1     | 8.0     | 12.0   | Q1            |
| CA-IS3721LGR | SOIC         | G               | 8    | 1000 | 330                | 16.4               | 12.05   | 6.15    | 3.3     | 16.0    | 16.0   | Q1            |
| CA-IS3721HSR | SOIC         | S               | 8    | 2500 | 330                | 12.4               | 6.5     | 5.4     | 2.1     | 8.0     | 12.0   | Q1            |
| CA-IS3721HGR | SOIC         | G               | 8    | 1000 | 330                | 16.4               | 12.05   | 6.15    | 3.3     | 16.0    | 16.0   | Q1            |
| CA-IS3722LSR | SOIC         | S               | 8    | 2500 | 330                | 12.4               | 6.5     | 5.4     | 2.1     | 8.0     | 12.0   | Q1            |
| CA-IS3722LGR | SOIC         | G               | 8    | 1000 | 330                | 16.4               | 12.05   | 6.15    | 3.3     | 16.0    | 16.0   | Q1            |
| CA-IS3722HSR | SOIC         | S               | 8    | 2500 | 330                | 12.4               | 6.5     | 5.4     | 2.1     | 8.0     | 12.0   | Q1            |
| CA-IS3722HGR | SOIC         | G               | 8    | 1000 | 330                | 16.4               | 12.05   | 6.15    | 3.3     | 16.0    | 16.0   | Q1            |

**IMPORTANT NOTICE**

The above information is for reference only and is used to assist Chipanalog customers in design and development. Chipanalog reserves the right to change the above information due to technological innovation without prior notice.

Chipanalog products are all factory tested. The customers shall be responsible for self-assessment and determine whether it is applicable for their specific application. Chipanalog's authorization to use the resources is limited to the development of related applications that the Chipanalog products involved in. In addition, the resources shall not be copied or displayed. And Chipanalog shall not be liable for any claim, cost, and loss arising from the use of the resources.

**Trademark Information**

Chipanalog Inc. ®, Chipanalog® are trademarks or registered trademarks of Chipanalog.



<http://www.chipanalog.com>

## X-ON Electronics

Largest Supplier of Electrical and Electronic Components

*Click to view similar products for [Digital Isolators](#) category:*

*Click to view products by [Chipanalog](#) manufacturer:*

Other Similar products are found below :

[ISO1I813TXUMA1](#) [ISO1I813T](#) [ISO1I811T](#) [ADUM1201AR-RL7](#) [SI8642EA-B-IU](#) [CA-IS3760LW](#) [SSP5840ED](#) [160U30](#) [CA-IS3740HW](#)  
[CA-IS3742HW](#) [CA-IS3762HW](#) [CA-IS3763HW](#) [CA-IS3721HG](#) [CA-IS3740HN](#) [CA-IS3761HW](#) [CA-IS3740LW](#) [CA-IS3541HWPD](#) [130U30](#)  
[IL261VE](#) [IL3122E](#) [IL514E](#) [IL515E](#) [IL610A-1E](#) [IL611-1E](#) [IL612A-3E](#) [IL716E](#) [IL721VE](#) [ISO7821FDWR](#) [SI8641BB-B-IS1](#)  
[ADUM1446ARSZ](#) [ADUM1447ARSZ](#) [ISO7841FDWR](#) [ISO7840DW](#) [ISO7820DW](#) [ISO7342CDW](#) [ISO7340CDW](#) [ISOW7844FDWER](#)  
[ISO7342FCQDWRQ1](#) [ISO7340CDWR](#) [Si8710AD-B-IS](#) [SI8631BC-B-IS1R](#) [SI8652BB-B-IU](#) [SI8640ED-B-IS2](#) [ISO7420FCCDR](#)  
[ISO7731DBQ](#) [ISO7730FDBQ](#) [SI8610BC-B-ISR](#) [SI8620EC-B-ISR](#) [SI8610AB-B-ISR](#) [SI8660BB-B-IU](#)