

Description

The CL9193 series are high ripple rejection, low power consumption, low dropout CMOS step-down voltage regulators with over-current and short circuit protection. These devices have very low quiescent bias current (70 μ A Typ.), they can deliver 300mA of output current with very small input and output voltage differences, and still maintain good regulation. Due to the small voltage difference between the input and output and the low quiescent bias current, these devices are especially suitable for battery-operated products such as computers, consumer products and industrial equipment, which want to prolong the useful battery life.

Feature

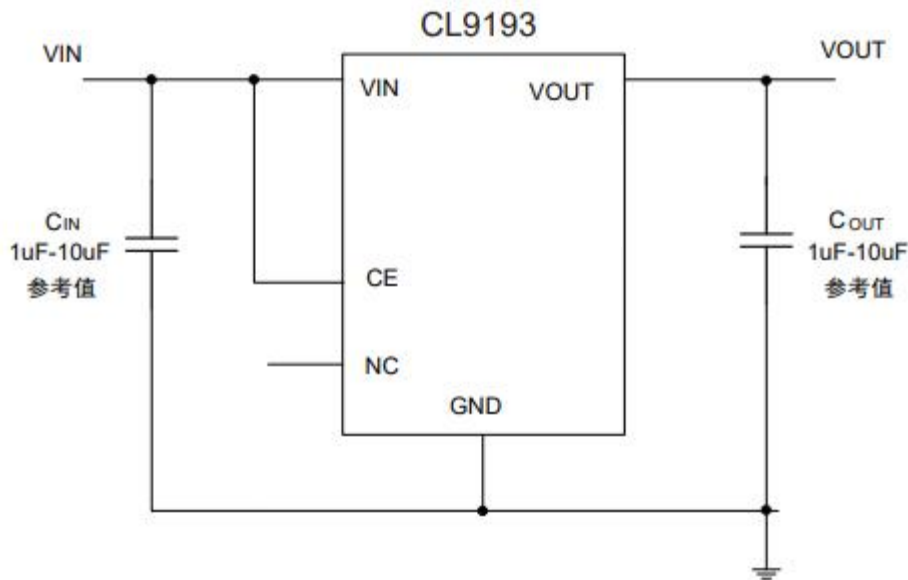
- ◆ Output Voltage Range: 1.2V-3.6V
- ◆ I_{o(max)}: 300mA
- ◆ PSRR: 70dB/1KHz
- ◆ Stand-by Current : 70 μ A (Typ)
- ◆ Shunt-Down Current : 1 μ A (max)
- ◆ Operating Temperature Range : -40 °C ~ +85 °C

Applications

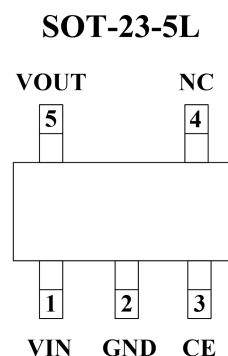
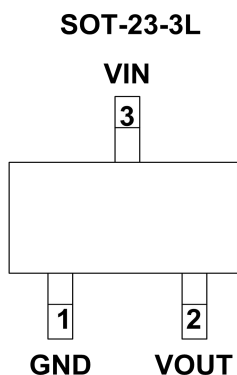
- ◆ CDMA / GSM
- ◆ PDAS/MP3
- ◆ WLAN/Bluetooth
- ◆ Portable Device
- ◆ Battery Power System

Package Type : SOT23-3L / SOT-23-5L

Application Circuit



Pin Description



No SOT23-3L	No SOT23-5L	Name	Description
3	1	VIN	Power Supply
1	2	GND	Ground
	3	CE	Enable
	4	NC	No Connect
2	5	VOUT	Output

Marking Information

Part Number	Package Type	Marking
CL9193A12L3M	SOT23-3L	AFXX
CL9193A15L3M	SOT23-3L	DS=J2S
CL9193A18L3M	SOT23-3L	DC=E2G
CL9193A25L3M	SOT23-3L	DH-M6B
CL9193A28L3M	SOT23-3L	DJ=N09
CL9193A30L3M	SOT23-3L	DK-06K
CL9193A33L3M	SOT23-3L	DE=A1C
CL9193A12L5M	SOT23-5L	DA=G3K
CL9193A15L5M	SOT23-5L	DS=J2T
CL9193A18L5M	SOT23-5L	DC=E2H
CL9193A25L5M	SOT23-5L	DH-M6C
CL9193A27L5M	SOT23-5L	DB=C3E
CL9193A28L5M	SOT23-5L	DJ=N10
CL9193A29L5M	SOT23-5L	DL=F5M
CL9193A30L5M	SOT23-5L	DK-06L
CL9193A33L5M	SOT23-5L	DE=A1D
CL9193A36L5M	SOT23-5L	DF=C2D

Absolute Maximum Ratings

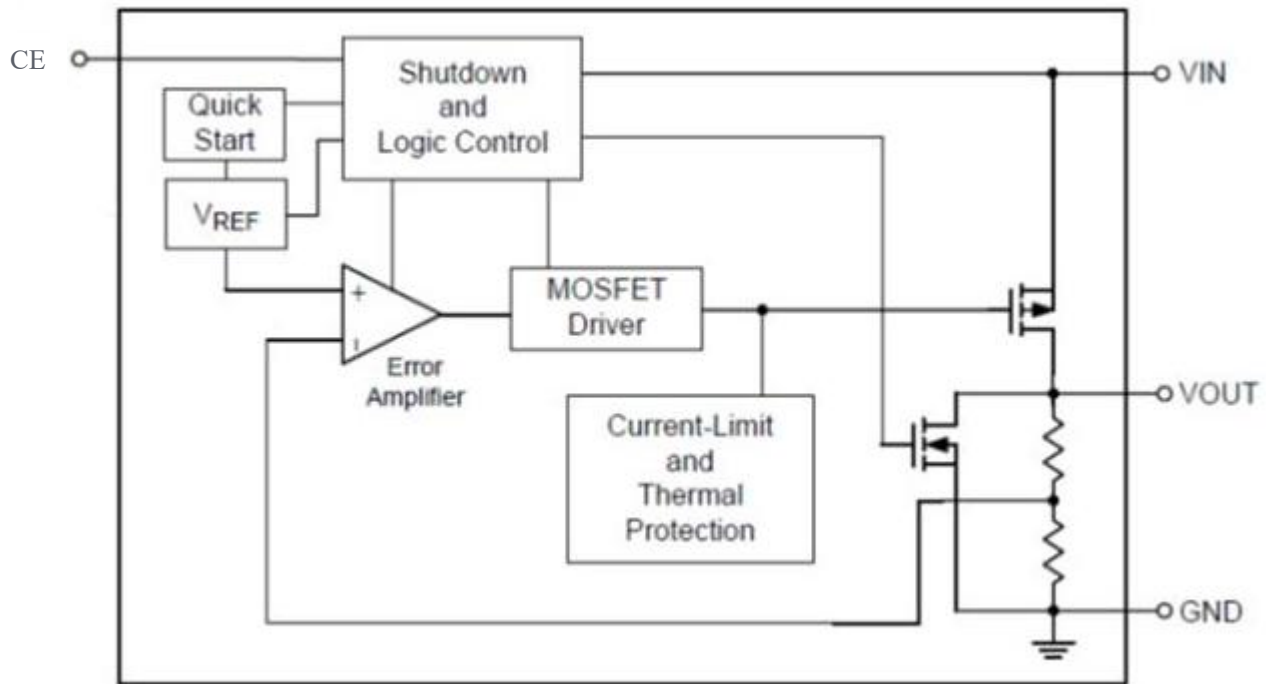
Parameter	Symbol	Rating	Unit
Input Voltage	V_{IN}	7	V
Output Current	I_{out}	450	mA
Output Voltage	V_{out}	$V_{ss}-0.3 \sim V_{out}+0.3$	V
Operating Temp	T_{Opr}	-40 ~ +85	°C
Storage Temp	T_{stg}	-55 ~ +125	°C
Lead Temp	T_{solder}	260°C, 10s	°C

Note : Exceeding the " **Absolute Maximum Ratings** " may damage the device. The device will operate within the recommended operating range, but its characteristics are not guaranteed. Exposure to absolute extreme parameter conditions for extended periods of time may affect device reliability.

Power Dissipation

Package Type	Pd(mW)
SOT-23-5L	300
SOT-23-3L	250

Block Diagram



Electrical Characteristics

($V_{IN}=5V$, $T_A = 25^{\circ}C$ unless otherwise specified)

Parameter	Symbol	Conditions	Min.	Typ.	Max.	Unit
Output Voltage	$V_{OUT}(E)$ (Note 2)	$I_{OUT}=40mA$, $V_{IN}=V_{out}+1V$	X 0.98	$V_{OUT}(T)$ (Note 1)	X 1.02	V
Input Voltage	V_{IN}				5.5	V
Maximum Output Current	$I_{OUT(max)}$	$V_{IN}=V_{out}+1V$		300		mA
EN starting voltage	V_{CE_ON} (Note3)		1.1			V
EN off voltage	V_{CE_OFF}				0.4	V
Load Regulation	ΔV_{OUT}	$V_{IN}=V_{out}+1V$, $1mA \leq I_{OUT} \leq 100mA$		50		mV
Dropout Voltage (Note 3)	V_{dif1}	$I_{OUT} = 100mA$		90		mV
	V_{dif2}	$I_{OUT} = 200mA$		230		mV
Stand-by Current	I_{SS}	$V_{IN}=V_{out}+1V$		70		μA
Shunt-down Current	I_{CEL}	$V_{ce}=0V$		1		μA
Line Regulation	$\frac{\Delta V_{OUT}}{\Delta V_{IN} \cdot V_{OUT}}$	$I_{OUT} = 40mA$ $V_{out}+1V \leq V_{IN} \leq 8V$		0.05		%/V
Output Noise Voltage	en	$I_{OUT} = 40mA$, 300Hz~50kHz		50		μV_{rms}
Power Supply Rejection Ration	PSRR	$V_{in} = [V_{out}+1]V$ $+1V_{p-pAC}$ $I_{OUT} = 40mA, f=1kHz$		70		dB

Note: 1、 $V_{OUT}(T)$: Specified output voltage

2、 $V_{OUT}(E)$: Effective output voltage (that is, the output voltage when $V_{IN} = (V_{OUT}(T)+1.0V)$ when I_{OUT} remains at a certain value.

3、 V_{CE} : Considering the high and low temperature and process deviation, it is recommended that customers set the enable voltage of CE PIN to 1.1V with a margin.

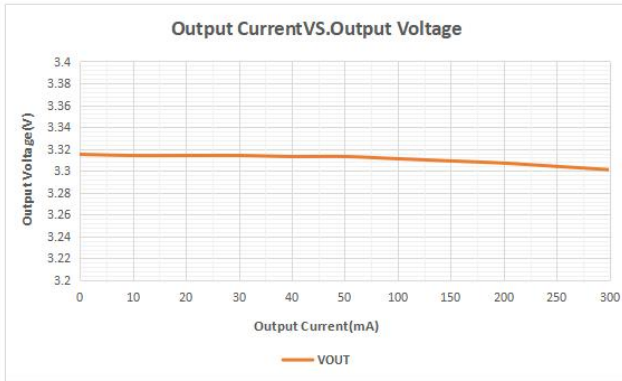
There is a built-in 1M Ω resistor between CE PIN and GND PIN inside the chip.

3、 V_{dif} : $V_{IN1} - V_{OUT}(E)'$

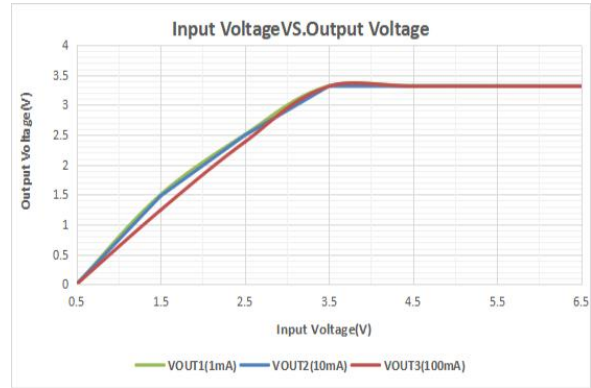
V_{IN1} : Gradually reduce the input voltage, the input voltage when the output voltage drops to 98% of $V_{OUT}(E)$.

$V_{OUT}(E)' = V_{OUT}(E) \times 98\%$.

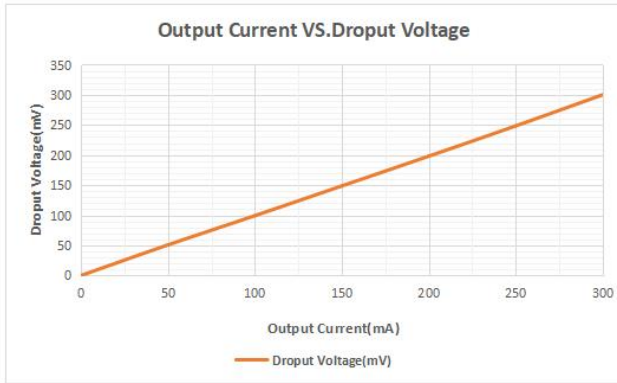
Typical Operating Characteristics



Output Current VS Output Voltage

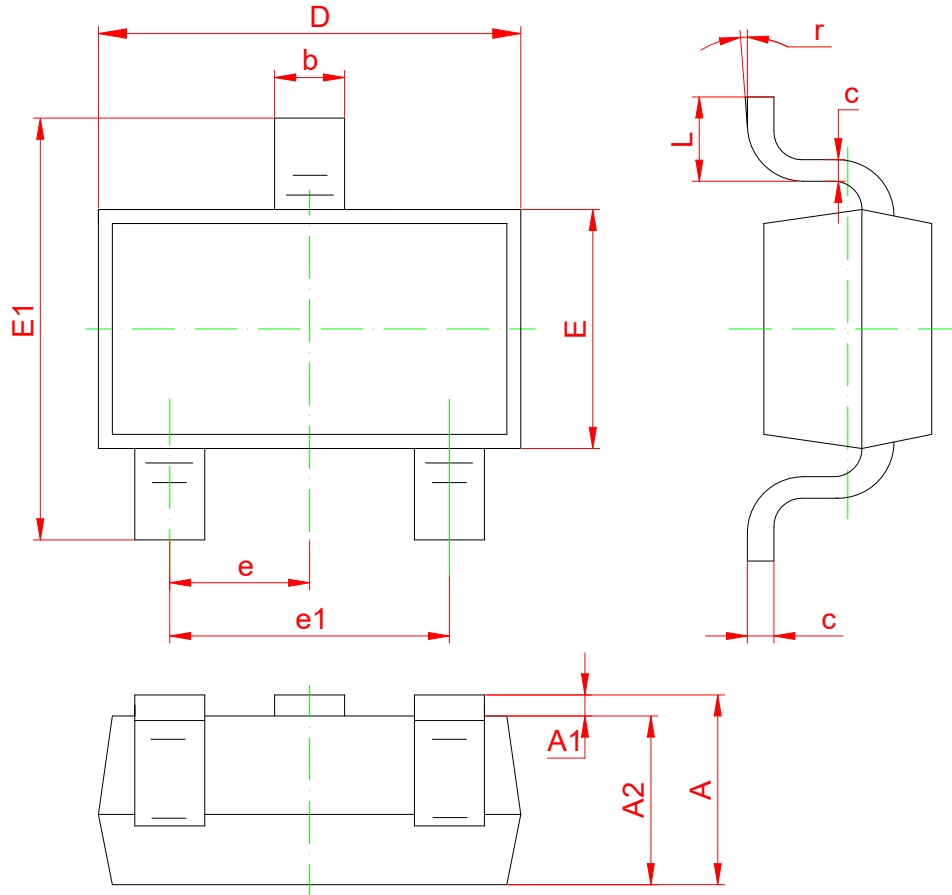


Input Voltage VS Output Voltage



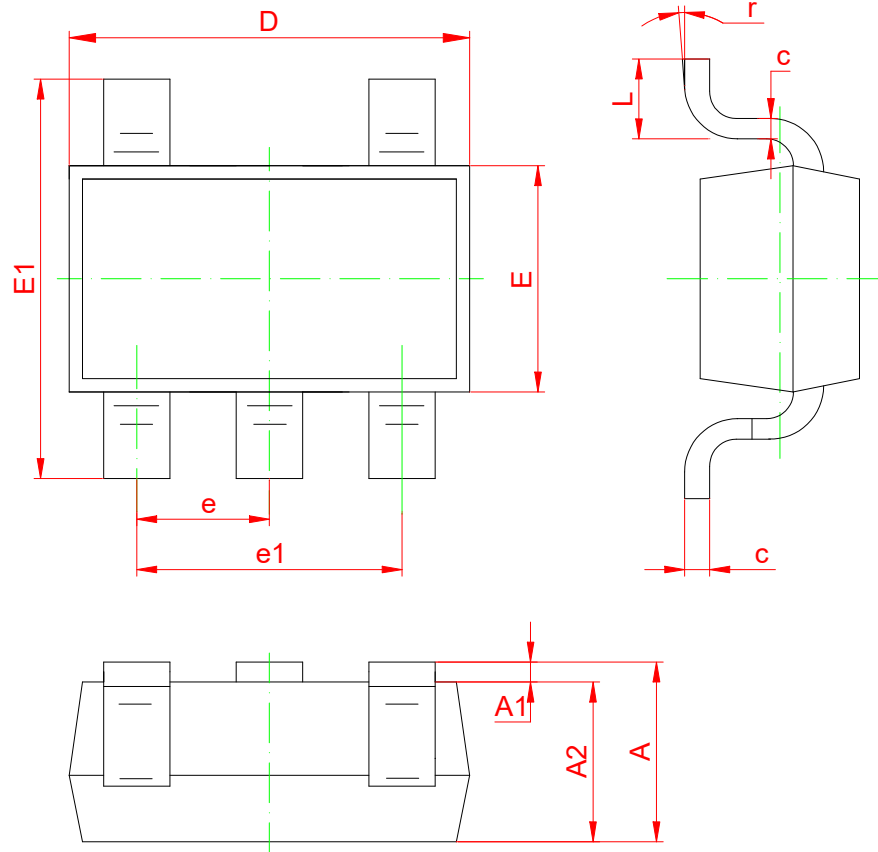
Output Current VS Dropout Voltage

Package Outline: SOT-23-3L



Symbol	Dimensions In Millimeters		Dimensions In Inches	
	Min	Max	Min	Max
A	1.050	1.250	0.041	0.049
A1	0.000	0.100	0.000	0.004
A2	1.050	1.150	0.041	0.045
b	0.300	0.500	0.012	0.020
c	0.100	0.200	0.004	0.008
D	2.820	3.020	0.111	0.119
E	1.500	1.700	0.059	0.067
E1	2.650	2.950	0.104	0.116
e	0.950 (BSC)		0.037 (BSC)	
e1	1.800	2.000	0.071	0.079
L	0.300	0.600	0.012	0.024
r	0°	8°	0°	8°

Package Outline: SOT-23-5L



Symbol	Dimensions In Millimeters		Dimensions In Inches	
	Min	Max	Min	Max
A	1.050	1.250	0.041	0.049
A1	0.000	0.100	0.000	0.004
A2	1.050	1.150	0.041	0.045
b	0.300	0.500	0.012	0.020
c	0.100	0.200	0.004	0.008
D	2.820	3.020	0.111	0.119
E	1.500	1.700	0.059	0.067
E1	2.650	2.950	0.104	0.116
e	0.950 (BSC)		0.037 (BSC)	
e1	1.800	2.000	0.071	0.079
L	0.300	0.600	0.012	0.024
r	0°	8°	0°	8°

- The information described herein is subject to change without notice.
- CHIPLINK Technology is not responsible for any problems caused by circuits or diagrams described herein whose related industrial properties, patents, or other rights belong to third parties. The application circuit examples explain typical applications of the products, and do not guarantee the success of any specific mass-production design.
- When the products described herein are regulated products subject to the Wassenaar Arrangement or other agreements, they may not be exported without authorization from the appropriate governmental authority.
- Use of the information described herein for other purposes and/or reproduction or copying without the express permission of CHIPLINK Technology is strictly prohibited.
- The products described herein cannot be used as part of any device or equipment affecting the human body, such as exercise equipment, medical equipment, security systems, gas equipment, or any apparatus installed in airplanes and other vehicles, without prior written permission of CHIPLINK Technology.
- Although CHIPLINK Technology exerts the greatest possible effort to ensure high quality and reliability, the failure or malfunction of semiconductor products may occur. The user of these products should therefore give thorough consideration to safety design, including redundancy, fire-prevention measures, and malfunction prevention, to prevent any accidents, fires, or community damage that may ensue.

X-ON Electronics

Largest Supplier of Electrical and Electronic Components

Click to view similar products for [Linear Voltage Regulators](#) category:

Click to view products by [ChipLink](#) manufacturer:

Other Similar products are found below :

[LV56831P-E](#) [LV5684PVD-XH](#) [MCDTSA6-2R](#) [L7815ACV-DG](#) [PQ3DZ53U](#) [LV56801P-E](#) [TLE42794G](#) [L78L05CZ/1SX](#) [L78LR05DL-MA-E](#) [636416C](#) [714954EB](#) [ZMR500QFTA](#) [LV5680P-E](#) [L78M15CV-DG](#) [L79M05T-E](#) [TLS202A1MBVHTSA1](#) [L78LR05D-MA-E](#) [NCV317MBTG](#) [NTE7227](#) [MP2018GZD-33-P](#) [MP2018GZD-5-P](#) [LV5680NPVC-XH](#) [LT1054CN8](#) [MP2018GZD-5-Z](#) [MP2018GZD-33-Z](#) [AT55EL50ESE](#) [APL5934DKAI-TRG](#) [78L05U](#) [78L05](#) [CL9193A15L5M](#) [CL9036A30F4M](#) [CL9036A18F4M](#) [CL9036A25F4M](#) [CL9036A28F4M](#) [CL9036A33F4M](#) [CL9906A18F4N](#) [CL9906A30F4N](#) [CL9908A30F4M](#) [CL9908A33F4M](#) [CL9908A18F4M](#) [CL9908A28F4M](#) [TL431ACM/TR](#) [TL431AIM/TR](#) [LM78L05ACM/TR](#) [HT7812ARMZ](#) [HT7805ARMZ](#) [HT317LRHZ](#) [HXY6206I-3.0](#) [HXY6206I-3.3](#) [XC6206P252MR](#) [XC6206P282MR](#)