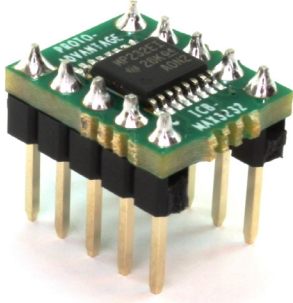


# ICB-MAX3232 Proto Advantage

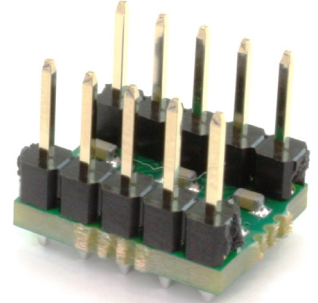
Datasheet revision 1.0

[www.Proto-Advantage.com](http://www.Proto-Advantage.com)

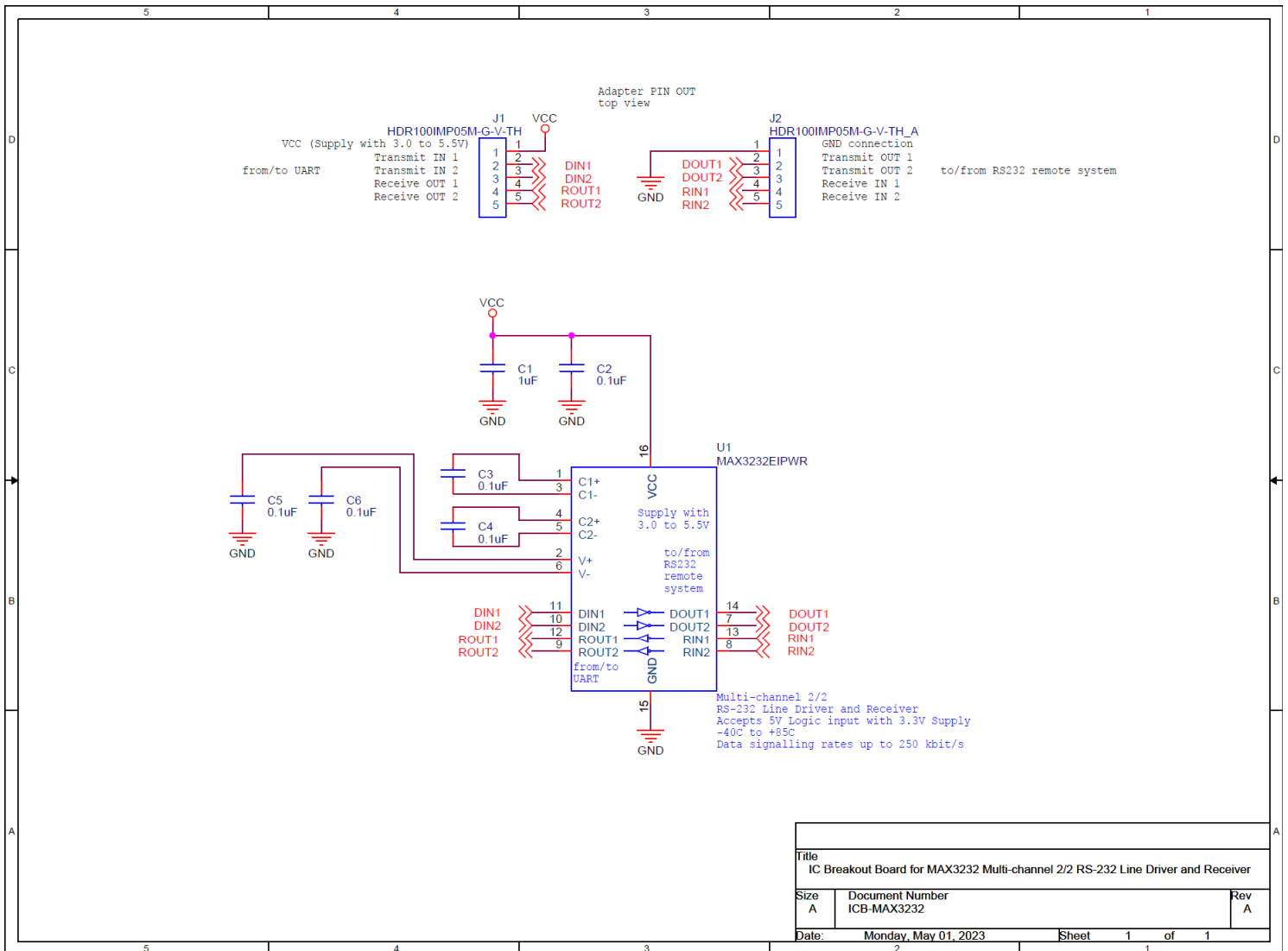
## IC Breakout Board for MAX3232 Multi-channel 2/2 RS-232 Line Driver and Receiver to DIP-10 (Fully Assembled)



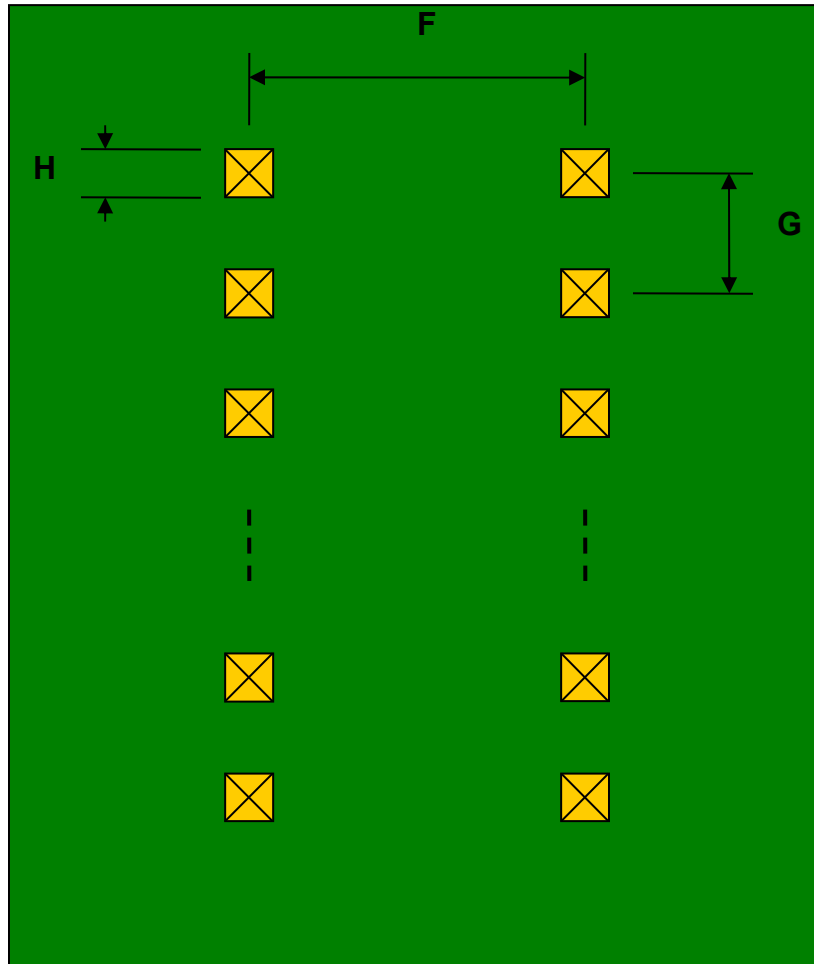
| DIMENSIONS |      |      |      |        |       |      |
|------------|------|------|------|--------|-------|------|
| REF.       | mm   |      |      | inches |       |      |
|            | MIN. | TYP. | MAX. | MIN.   | TYP.  | MAX. |
| F          |      |      |      |        | 0.300 |      |
| G          |      |      |      |        | 0.100 |      |
| H          |      |      |      |        | 0.025 |      |



### Schematic

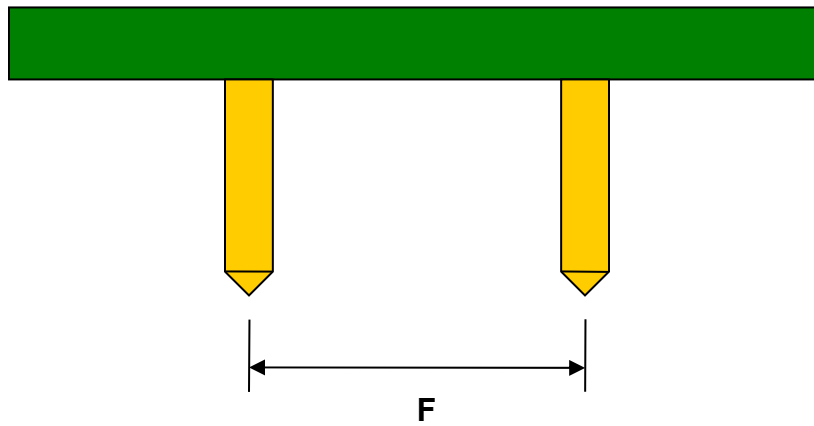


### Bottom View (DIP Pins)



(Representative drawing only - not to scale)

### Side View (DIP Pins)

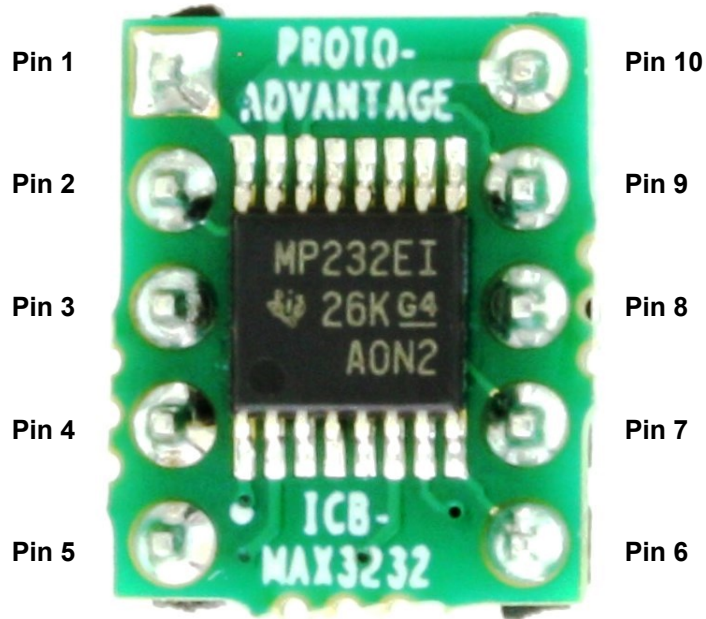


(Representative drawing only - not to scale)

## Pin Out and Pin Functions

| Pin Number | Function                      | Function                                | Pin Number |
|------------|-------------------------------|---|------------|
| 1          | VCC (Supply with 3.0 to 5.5V) | GND connection                          | 10         |
| 2          | Transmit IN 1 (from UART)     | Transmit OUT 1 (to RS232 remote system) | 9          |
| 3          | Transmit IN 2 (from UART)     | Transmit OUT 2 (to RS232 remote system) | 8          |
| 4          | Receive OUT 1 (to UART)       | Receive IN 1 (from RS232 remote system) | 7          |
| 5          | Receive OUT 2 (to UART)       | Receive IN 2 (from RS232 remote system) | 6          |

### Top View of Adapter and Pin Numbering



## X-ON Electronics

Largest Supplier of Electrical and Electronic Components

*Click to view similar products for [Interface Development Tools](#) category:*

*Click to view products by [Chip Quik](#) manufacturer:*

Other Similar products are found below :

[CY4607M](#) [XR17V358/SP339-E8-EB](#) [TW-DONGLE-USB](#) [XR21B1424IV64-0A-EVB](#) [P0551](#) [5346](#) [SI32185ACB10SL1KIT](#)

[RAA2S4252EXT](#) [4901](#) [DFR0979](#) [LIME2-SHIELD](#) [EM01-D](#) [USB TO TTL](#) [USB TO RS485](#) [USB-CAN-A](#) [MIKROE-5492](#)

[RTKH4Z2501S00000BE](#) [5956](#) [5964](#) [103030295](#) [MIKROE-2335](#) [KIT\\_MINIWIGGLER\\_3\\_USB](#) [KITXMC4XCOMETH001TOBO1](#)

[SI871XSOIC8-KIT](#) [1764](#) [1833](#) [1862](#) [ZSC31010KITV2.1](#) [EVB-USB82514](#) [ATAB663231A-V1.2](#) [ATAB663254A-V1.2](#) [2264](#)

[MCP23X17EV](#) [PS09-EVA-KIT](#) [MAX96708COAXEVKIT#](#) [MAXPOWERTOOL002#](#) [SMA2RJ45EVK/NOPB](#) [FR12-0002](#) [MAFR-000667-](#)

[000001](#) [MAFR-000589-000001](#) [MAFR-000553-000001](#) [BOB-13263](#) [BP359C](#) [ORG4572-R01-UAR](#) [XR21B1422IL40-0A-EVB](#)

[XR21B1420IL28-0A-EVB](#) [284](#) [SKYFR-000743](#) [SKYFR-000827](#) [SKYFR-000982](#)