



The TS Series Thumbstick is a proportional two axes joystick in a miniature package. Featuring non-contacting Hall effect technology for long life performance, the TS Series Thumbstick is available with multiple linear output options including single and dual (redundant) outputs. It is similar in size and operation to “gamepad” controls, but in a rugged industrial package. Typical applications include pendant and remote controls as well as joystick handle and arm rest integration.



KEY FEATURES

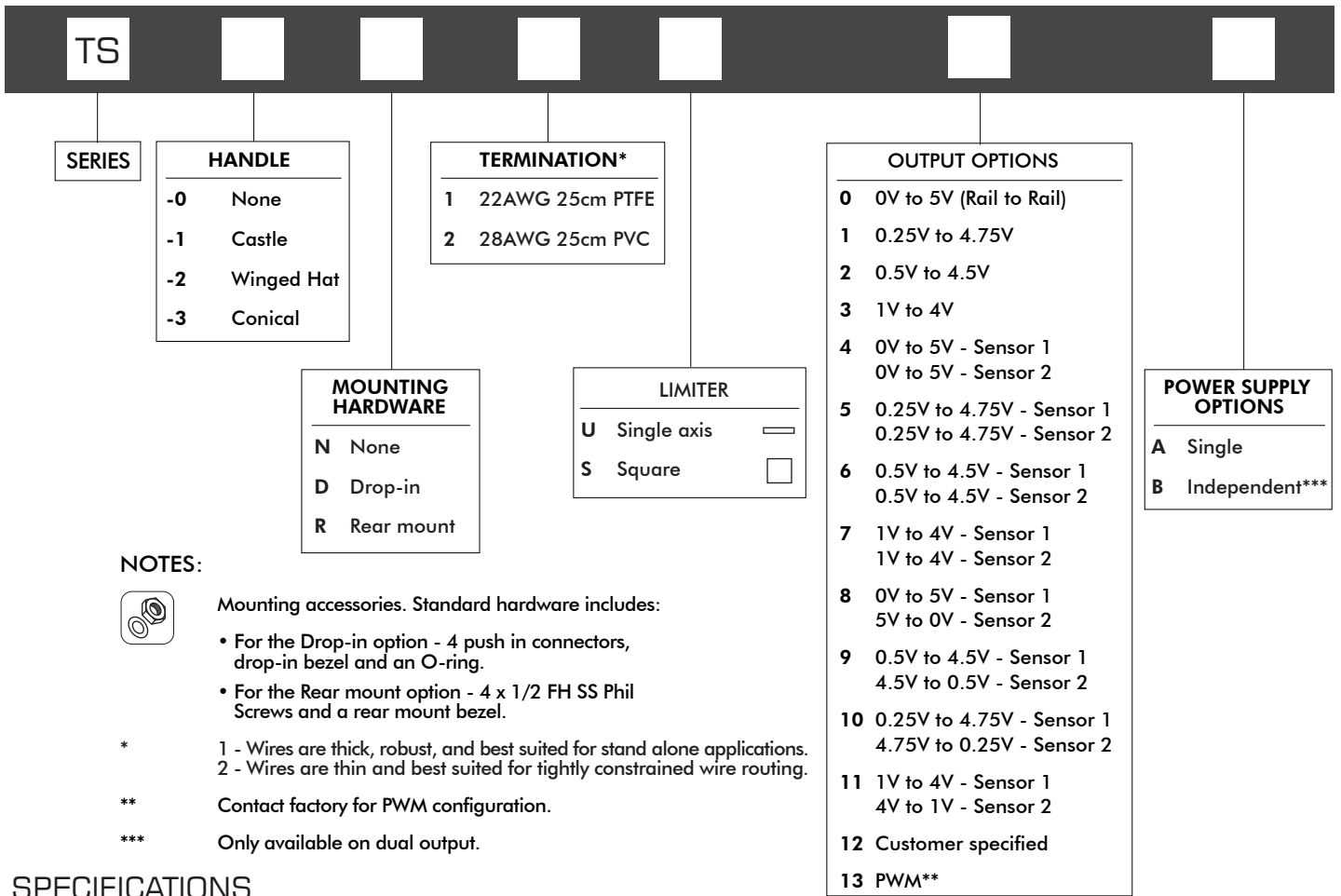
- 1 or 2 axes**
- Non-contact Hall effect technology**
- Submersible to 1m (3.28ft) per IP68**
- Pressure washable to IP69K**
- Redundant outputs available**
- Rear or drop-in mounting available**



TS series

Hall effect miniature proportional joystick

OPTION SELECTION



SPECIFICATIONS

MECHANICAL (FOR X, Y AXES)		
Operating Force	-	3.1N±0.5N (0.70lbf±0.11 lbf)
Maximum Vertical Load	-	200N (45lbf)
Maximum Horizontal Load	-	150N (33.7lbf)*
Mechanical Angle of Movement	-	±25° (50° total)
Life Cycles	-	>1 million
Mass/weight	-	18.25g ± 3.0g (0.64oz±0.11oz)
Lever Action (Centering)	-	Spring Centering

ENVIRONMENTAL		
Operating Temperature	-	-40°C to +85°C (-40°F to +185°F)
Storage Temperature	-	-40°C to +85°C (-40°F to +185°F)
Sealing	-	IP68, IP69K**
EMC Immunity Level	-	EN61000-4-3
EMC Emissions Level	-	EN61000-6-3:2001
ESD	-	EN61000-4-2

ELECTRICAL SENSOR		
Resolution	-	1.22mV
Supply Voltage Range	-	5.00V±0.01V
Reverse Polarity Max	-	-10V
Overvoltage Max	-	20V
Output Impedance	-	2Ω
Return to Center Voltage Tolerance	-	±250mV
Error Signal	-	1.0%

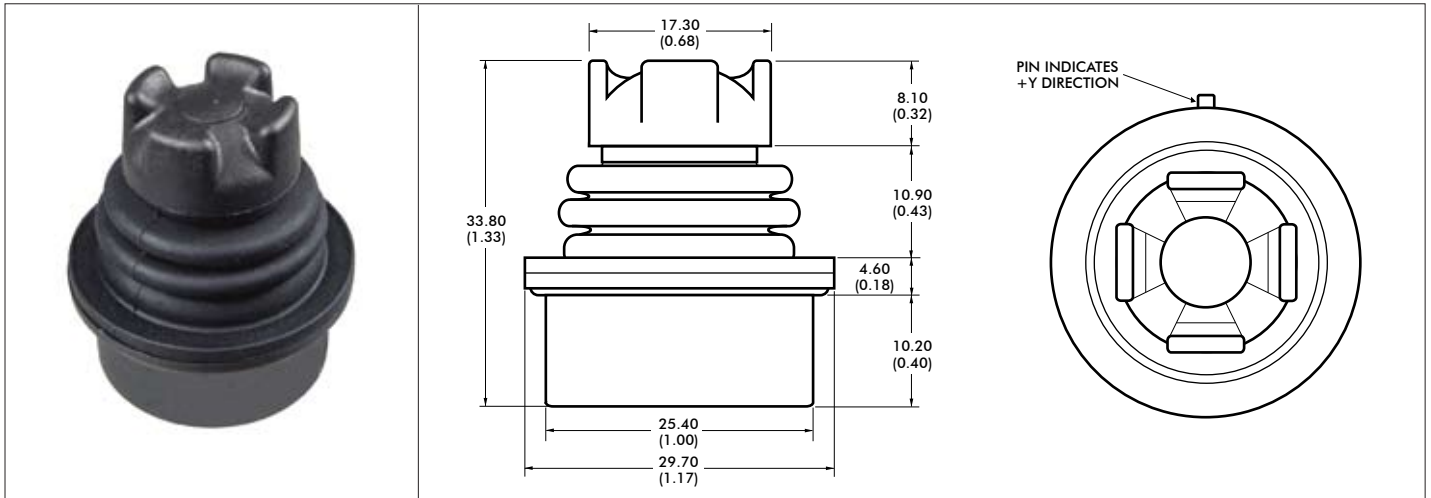
* Force applied to the top of the cap at full displacement.
** All options are IP68 and IP69K rated, however Drop-in mounting does not prevent panel ingress.

Note: The company reserves the right to change specifications without notice.

TS series

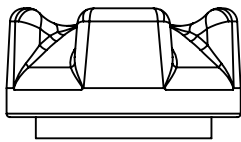
Hall effect miniature proportional joystick

DIMENSIONAL DRAWINGS

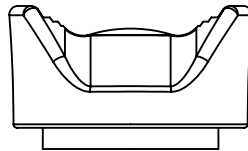


HANDLE OPTIONS

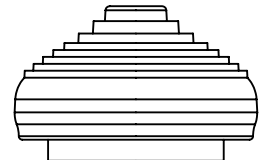
CASTLE



WINGED HAT

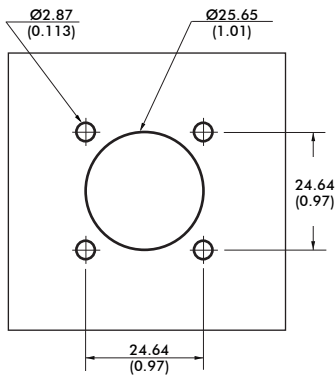


CONICAL



MOUNTING OPTIONS

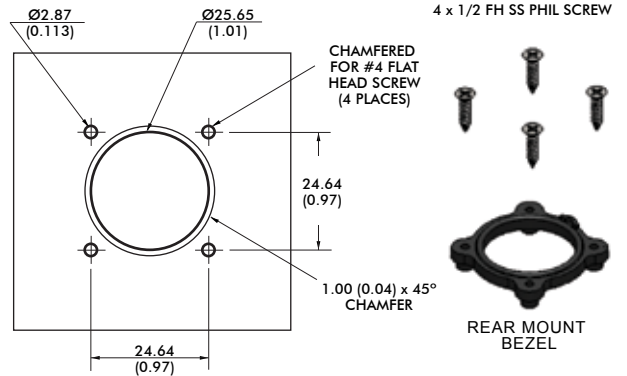
DROP-IN OPTION CUTOUT DIMENSIONS



4 x PUSH IN CONNECTORS

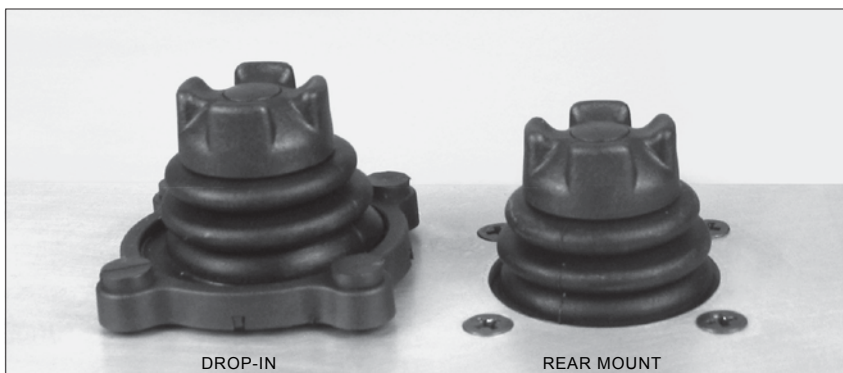


REAR MOUNT OPTION CUTOUT DIMENSIONS



Note: Maximum panel thickness is 0.32mm (0.08in)

Note: Dimensions are in mm/(inch)



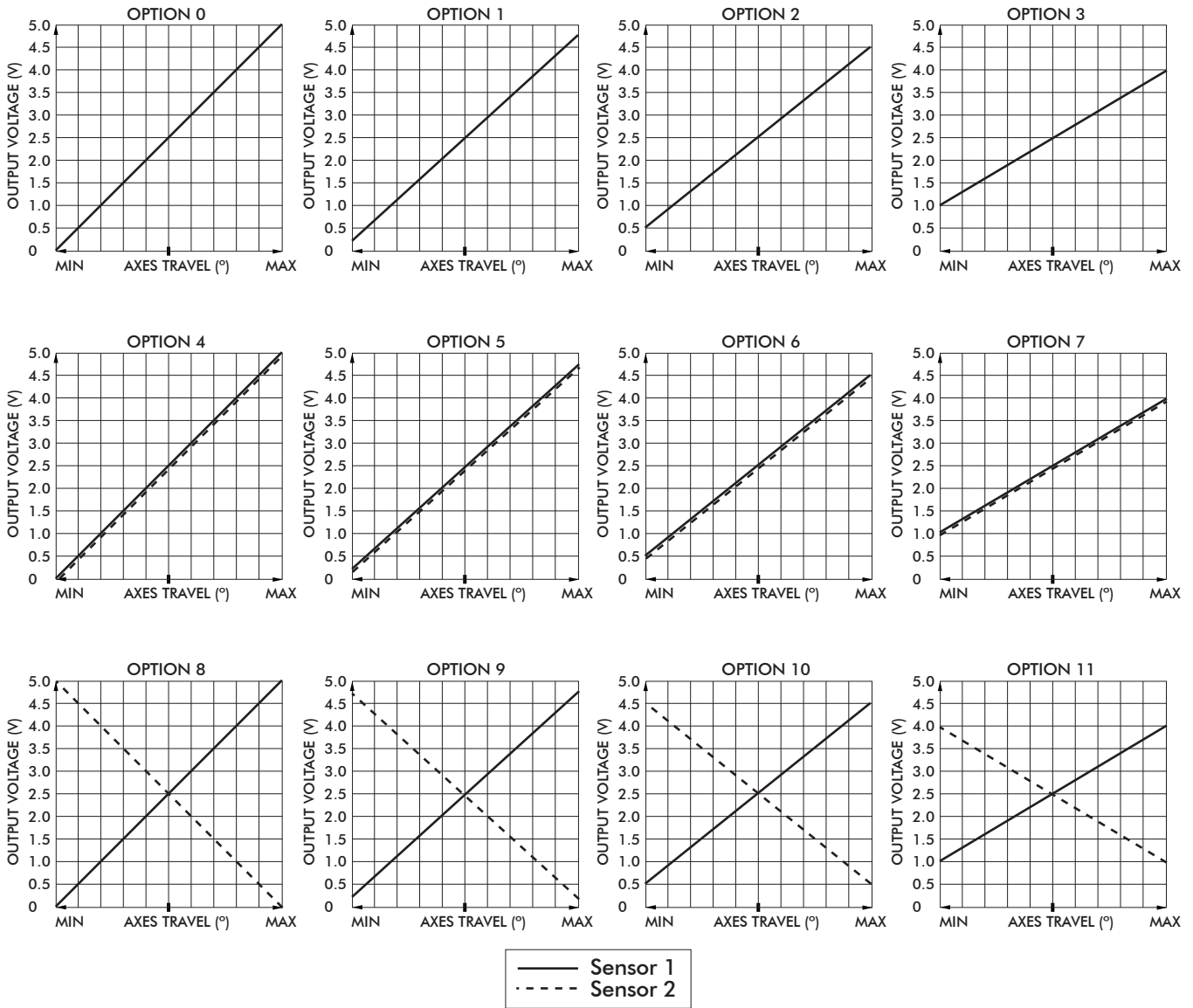
Notes: The company reserves the right to change specifications without notice. The graphs are provided for representational purposes only.

TS series

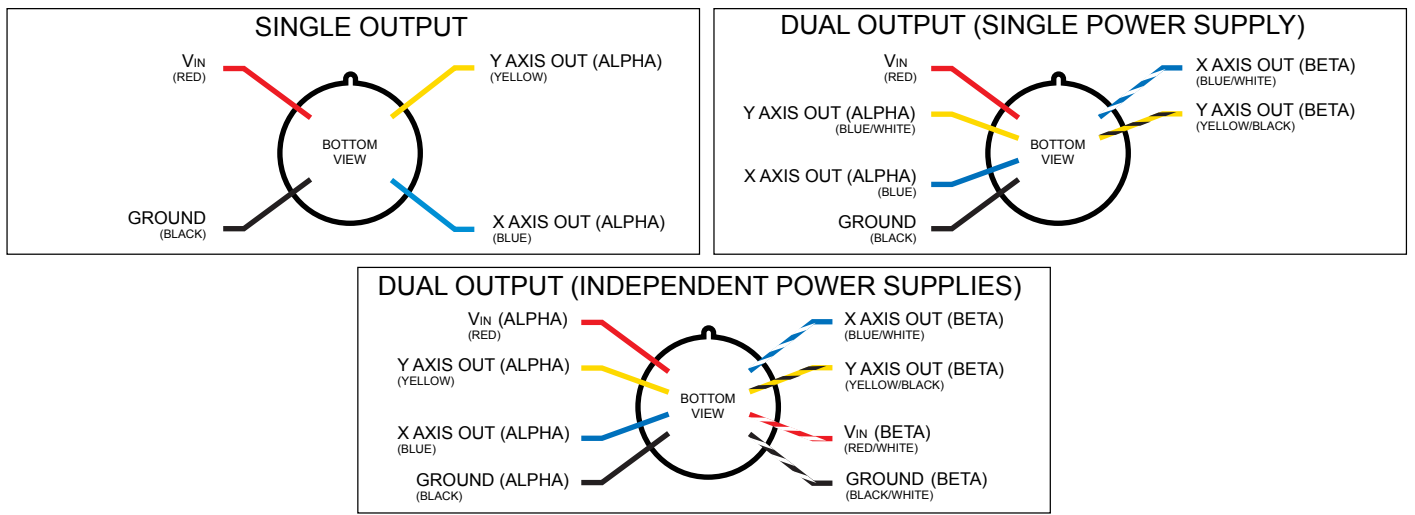
Hall effect miniature proportional joystick

CONFIGURATION OPTIONS

LINEAR OUTPUT OPTIONS



WIRING



Notes: The company reserves the right to change specifications without notice. The graphs are provided for representational purposes only.

X-ON Electronics

Largest Supplier of Electrical and Electronic Components

Click to view similar products for [Signal Conditioning](#) category:

Click to view products by [CH Products](#) manufacturer:

Other Similar products are found below :

[MAPDCC0004](#) [PD0409J5050S2HF](#) [880157](#) [HHS-109-PIN](#) [DC1417J5005AHF](#) [DC4859J5005AHF](#) [AFS14A30-2185.00-T3](#) [AFS14A35-1591.50-T3](#) [DS-323-PIN](#) [DSS-313-PIN](#) [B39321R801H210](#) [B39321R821H210](#) [B39921B4317P810](#) [1A0220-3](#) [2089-6207-00](#) [JP510S](#) [LFB212G45SG8C341](#) [LFB322G45SN1A504](#) [LFL182G45TC3B746](#) [SF2159E](#) [30057](#) [1P510S](#) [CER0813B](#) [3A325](#) [40287](#) [41180](#) [ATB3225-75032NCT](#) [B69842N5807A150](#) [BD0810N50100AHF](#) [BD2326L50200AHF](#) [BD2425J50200AHF](#) [HMC189AMS8TR](#) [C5060J5003AHF](#) [JHS-114-PIN](#) [JP503AS](#) [DC0710J5005AHF](#) [DC2327J5005AHF](#) [DC3338J5005AHF](#) [43020](#) [LFB2H2G60BB1C106](#) [LFL15869MTC1B787](#) [X3C19F1-20S](#) [XC3500P-20S](#) [10013-20](#) [SF2081E](#) [SF2194E](#) [SF2238E](#) [CDBLB455KCAX39-B0](#) [RF1353C](#) [PD0922J5050D2HF](#)