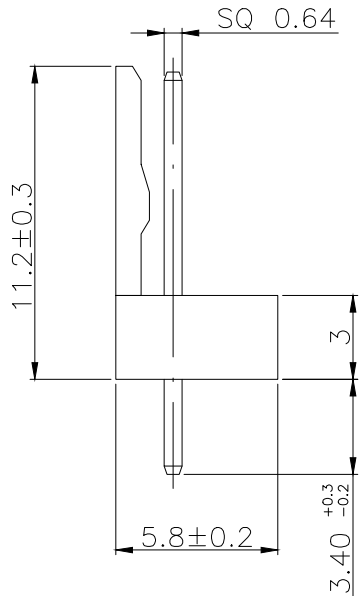
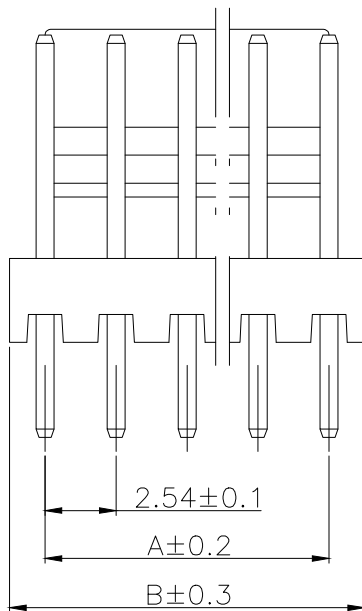
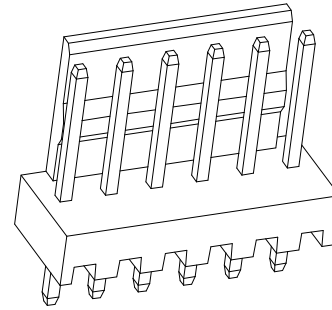


PCB LAYOUT

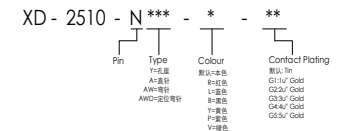


SPECIFICATIONS

1. Current Rating: 3A AC, DC
2. Voltage Rating: 250V AC, DC
3. Temperature Range: -25°C~ +85°C
4. Contact Resistance: 20mΩ Max
5. Insulation Resistance: 1000mΩ Min
6. Withstanding Voltage: 1000V AC/minute
7. Material: Wafer Nylon66 UL94-VO  
Pin Brass Tin-plated

| Circuit | Part NO.         | Dimensions mm |       |
|---------|------------------|---------------|-------|
|         |                  | A             | B     |
| 2       | XD-2510-2A-X-XX  | 2.54          | 5.08  |
| 3       | XD-2510-3A-X-XX  | 5.08          | 7.62  |
| 4       | XD-2510-4A-X-XX  | 7.62          | 10.16 |
| 5       | XD-2510-5A-X-XX  | 10.16         | 12.70 |
| 6       | XD-2510-6A-X-XX  | 12.70         | 15.24 |
| 7       | XD-2510-7A-X-XX  | 15.24         | 17.78 |
| 8       | XD-2510-8A-X-XX  | 17.78         | 20.32 |
| 9       | XD-2510-9A-X-XX  | 20.32         | 22.86 |
| 10      | XD-2510-10A-X-XX | 22.86         | 25.40 |
| 11      | XD-2510-11A-X-XX | 25.40         | 27.94 |
| 12      | XD-2510-12A-X-XX | 27.94         | 30.48 |
| 13      | XD-2510-13A-X-XX | 30.48         | 33.02 |
| 14      | XD-2510-14A-X-XX | 33.02         | 35.56 |
| 15      | XD-2510-15A-X-XX | 35.56         | 38.10 |
| 16      | XD-2510-16A-X-XX | 38.10         | 40.64 |
| 17      | XD-2510-17A-X-XX | 40.64         | 43.18 |
| 18      | XD-2510-18A-X-XX | 43.18         | 45.72 |
| 19      | XD-2510-19A-X-XX | 45.72         | 48.26 |
| 20      | XD-2510-20A-X-XX | 48.26         | 50.80 |

Ordering Information



|                   |                        |                   |                  |    |   |                   |             |     |
|-------------------|------------------------|-------------------|------------------|----|---|-------------------|-------------|-----|
| GENERAL TOLERANCE |                        |                   | 制图<br>DRAWING    | 05 | 深圳讯答科技有限公司<br>ShenzhenXunDaTechnology Co.,Ltd |                   |             |     |
| DIM TOL           |                        |                   | 审核<br>CHECK      |    |   |                   |             |     |
| X.X ±0.30         |                        |                   | 批准<br>APPROVAL   |    | 产品名称<br>TITLE                                 | 2510 (2.50) 单排 直针 | 版本<br>REV.  | A   |
| X.XX ±0.20        |                        |                   | 投影<br>Projection |    | 产品料号<br>PART NO.                              | XD-2510-NA-X-XX   | 单位<br>UNITS | mm  |
| X.XXX ±0.10       |                        |                   |                  |    | 材料<br>MATERIAL                                |                   | 页次<br>SHEET | 1/1 |
| 序号<br>No.         | 变更内容<br>MODIFY CONTENT | 日期<br>MODIFY DATE |                  |    |   |                   |             |     |

## X-ON Electronics

Largest Supplier of Electrical and Electronic Components

*Click to view similar products for [Headers & Wire Housings](#) category:*

*Click to view products by [chxunda](#) manufacturer:*

Other Similar products are found below :

[0015917161](#) [0022155065](#) [57102-F02-18ULF](#) [58102-G61-06LF](#) [582553-1](#) [01.001.5753.1](#) [0050291907](#) [02.125.8002.8](#) [609-3404](#) [61062-3](#)  
[CSU011177004](#) [622-0430](#) [622-3653LF](#) [63453-116](#) [636-1030](#) [636-1427](#) [636-3427](#) [636-4007](#) [641938-9](#) [65495-038](#) [65692-001LF](#) [65781-018](#)  
[65781-047](#) [65817-010LF](#) [65817-015LF](#) [67095-007LF](#) [67601157](#) [68631-112](#) [68645-018](#) [699319-000](#) [70.362.1628.0](#) [70-4210](#) [70-4226B](#) [70-](#)  
[4853B](#) [71.350.2428.0](#) [733-134](#) [733-162](#) [760-3052](#) [MHR-64-VUAL](#) [80.063.4001.1](#) [800-90-001-10-001000](#) [801-43-002-10-013000](#)  
[801-43-006-10-002000](#) [803-43-024-10-001000](#) [803-93-012-10-001000](#) [8-1437020-4](#) [819-22-004-30-001101](#) [820-22-006-30-001101](#)  
[820-22-008-30-001101](#) [821-22-002-10-001101](#)