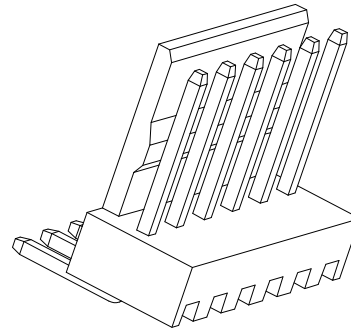
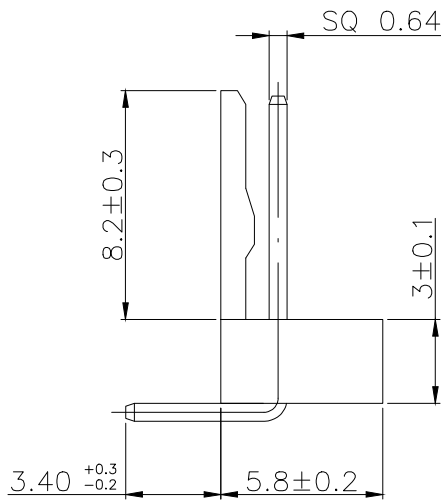
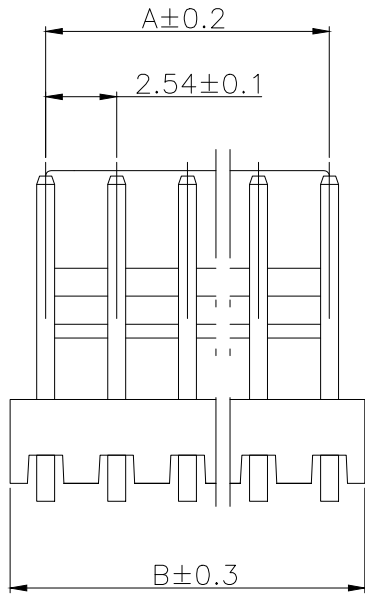


PCB LAYOUT



- SPECIFICATIONS
1. Current Rating: 3A AC, DC
  2. Voltage Rating: 250V AC, DC
  3. Temperature Range: -25°C~ +85°C
  4. Contact Resistance: 20mΩ Max
  5. Insulation Resistance: 1000mΩ Min
  6. Withstanding Voltage: 1000V AC/minute
  7. Material: Wafer Nylon66 UL94-VO  
Pin Brass Tin-plated

| Circuit | Part NO.          | Dimensions mm |       |
|---------|-------------------|---------------|-------|
|         |                   | A             | B     |
| 2       | XD-2510-2AW-X-XX  | 2.54          | 5.08  |
| 3       | XD-2510-3AW-X-XX  | 5.08          | 7.62  |
| 4       | XD-2510-4AW-X-XX  | 7.62          | 10.16 |
| 5       | XD-2510-5AW-X-XX  | 10.16         | 12.70 |
| 6       | XD-2510-6AW-X-XX  | 12.70         | 15.24 |
| 7       | XD-2510-7AW-X-XX  | 15.24         | 17.78 |
| 8       | XD-2510-8AW-X-XX  | 17.78         | 20.32 |
| 9       | XD-2510-9AW-X-XX  | 20.32         | 22.86 |
| 10      | XD-2510-10AW-X-XX | 22.86         | 25.40 |
| 11      | XD-2510-11AW-X-XX | 25.40         | 27.94 |
| 12      | XD-2510-12AW-X-XX | 27.94         | 30.48 |
| 13      | XD-2510-13AW-X-XX | 30.48         | 33.02 |
| 14      | XD-2510-14AW-X-XX | 33.02         | 35.56 |
| 15      | XD-2510-15AW-X-XX | 35.56         | 38.10 |
| 16      | XD-2510-16AW-X-XX | 38.10         | 40.64 |
| 17      | XD-2510-17AW-X-XX | 40.64         | 43.18 |
| 18      | XD-2510-18AW-X-XX | 43.18         | 45.72 |
| 19      | XD-2510-19AW-X-XX | 45.72         | 48.26 |
| 20      | XD-2510-20AW-X-XX | 48.26         | 50.80 |



Ordering Information

XD - 2510 - N \*\*\* - \* - \*\*

Pin: N  
Type: Y=尼龙, A=真铜, AW=铜镍, AWQ=黄铜

Colour: R=红色, L=蓝色, B=黄色, Y=黄色, V=绿色

Contact Plating: G15U/ Gold, G25U/ Gold, G35U/ Gold, G45U/ Gold, G55U/ Gold

|                   |                        |                   |                  |       |   |                  |                    |             |    |
|-------------------|------------------------|-------------------|------------------|-------|---|------------------|--------------------|-------------|----|
| GENERAL TOLERANCE |                        |                   | 制图<br>DRAWING    | 05    | 深圳讯答科技有限公司<br>ShenzhenXunDaTechnology Co.,Ltd | 产品名称<br>TITLE    | 2510 (2.50) 单排 平弯针 | 版本<br>REV.  | A  |
| DIM TOL           |                        |                   | 审核<br>CHECK      |       |   | 产品料号<br>PART NO. | XD-2510-NAW-X-XX   | 单位<br>UNITS | mm |
| X.X ±0.30         |                        |                   | 批准<br>APPROVAL   |       | 材料<br>MATERIAL                                |                  | 页次<br>SHEET        | 1/1         |    |
| X.XX ±0.20        |                        |                   | 比例<br>SCALE      |       |   |                  |                    |             |    |
| X.XXX ±0.10       |                        |                   | 投影<br>Projection |       |   |                  |                    |             |    |
| 1                 | 初版发行                   |                   | 角度<br>Angle      | ±3.0° |   |                  |                    |             |    |
| 序号<br>No.         | 变更内容<br>MODIFY CONTENT | 日期<br>MODIFY DATE |                  |       |   |                  |                    |             |    |

## X-ON Electronics

Largest Supplier of Electrical and Electronic Components

*Click to view similar products for [Headers & Wire Housings](#) category:*

*Click to view products by [chxunda](#) manufacturer:*

Other Similar products are found below :

[0015917161](#) [0022155065](#) [57102-F02-18ULF](#) [58102-G61-06LF](#) [582553-1](#) [01.001.5753.1](#) [0050291907](#) [02.125.8002.8](#) [609-3404](#) [61062-3](#)  
[CSU011177004](#) [622-0430](#) [622-3653LF](#) [63453-116](#) [636-1030](#) [636-1427](#) [636-3427](#) [636-4007](#) [641938-9](#) [65495-038](#) [65692-001LF](#) [65781-018](#)  
[65781-047](#) [65817-010LF](#) [65817-015LF](#) [67095-007LF](#) [67601157](#) [68631-112](#) [68645-018](#) [699319-000](#) [70.362.1628.0](#) [70-4210](#) [70-4226B](#) [70-](#)  
[4853B](#) [71.350.2428.0](#) [733-134](#) [733-162](#) [760-3052](#) [MHR-64-VUAL](#) [80.063.4001.1](#) [800-90-001-10-001000](#) [801-43-002-10-013000](#)  
[801-43-006-10-002000](#) [803-43-024-10-001000](#) [803-93-012-10-001000](#) [8-1437020-4](#) [819-22-004-30-001101](#) [820-22-006-30-001101](#)  
[820-22-008-30-001101](#) [821-22-002-10-001101](#)