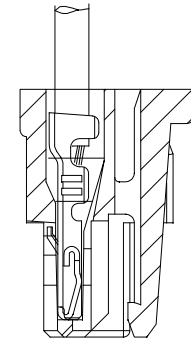
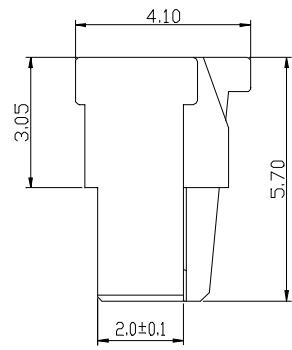
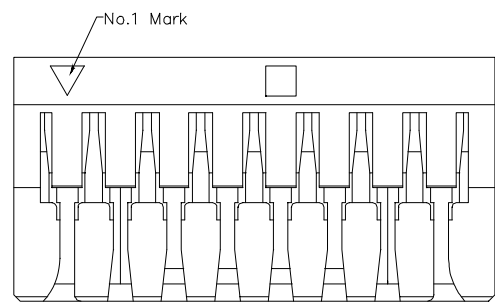
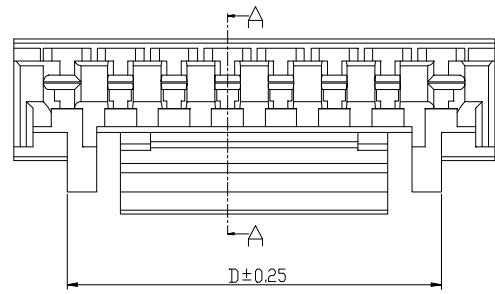


- SPECIFICATIONS**
- 1、Current Rating: 1A AC, DC
 - 2、Voltage Rating: 50V AC, DC
 - 3、Temperatuer Range: -25°C~ +85°C
 - 4、Contact Resistance: 20mΩ Max
 - 5、Insulation Resistance: 100mΩ Min
 - 6、Withstanding Voltang: 500V AC/minute
 - 7、Material: Housing PA66 UL94-VO



| Circuit | Part NO. | Dimensions mm | | | |
|---------|-----------|---------------|------|-------|-------|
| | | A | B | C | D |
| 2 | XD-GH-2Y | 1.25 | 2.00 | 3.75 | --- |
| 3 | XD-GH-3Y | 2.50 | 3.20 | 5.00 | --- |
| 4 | XD-GH-4Y | 3.75 | 4.00 | 6.25 | --- |
| 5 | XD-GH-5Y | 5.00 | 4.00 | 7.50 | --- |
| 6 | XD-GH-6Y | 6.25 | 6.25 | 8.75 | --- |
| 7 | XD-GH-7Y | 7.50 | 6.25 | 10.00 | --- |
| 8 | XD-GH-8Y | 8.75 | 6.25 | 11.25 | 8.75 |
| 9 | XD-GH-9Y | 10.00 | 6.25 | 12.50 | 9.75 |
| 10 | XD-GH-10Y | 11.25 | 8.20 | 13.75 | 11.00 |
| 11 | XD-GH-11Y | 12.50 | 8.20 | 15.00 | 11.00 |
| 12 | XD-GH-12Y | 13.75 | 8.20 | 16.25 | 11.00 |
| 13 | XD-GH-13Y | 15.00 | 8.20 | 17.50 | 11.00 |
| 14 | XD-GH-14Y | 16.25 | 8.20 | 18.75 | 11.00 |
| 15 | XD-GH-15Y | 17.50 | 8.20 | 20.00 | 11.00 |



Ordering Information

XD - GH - N ***

Pin Type
Y=注塑
 R1=注塑
 PWT=电镀

| | | | | | | | | | |
|-----------|------------------------|-------------------|-------------------|------------------|----|---|----------|-------------|---------------|
| | | | GENERAL TOLERANCE | 制图 DRAWING | 02 | 深圳讯答科技有限公司 ShenzhenXundaTechnology Co.,Ltd | | | |
| | | | DIM TOL | 审核 CHECK | | | | | 产品名称 TITLE |
| | | | X.X ±0.30 | 批准 APPROVAL | | 产品料号 PART NO. | XD-GH-NY | 单位 UNITS | mm |
| | | | X.XX ±0.20 | 投影 Projection | | 材料 MATERIAL | | 页次 SHEET | 1/1 |
| | | | X.XXX ±0.10 | | | | | | |
| 序号 No. | 变更内容 MODIFY CONTENT | 日期 MODIFY DATE | Angle ±3.0° | | | | | | |

X-ON Electronics

Largest Supplier of Electrical and Electronic Components

Click to view similar products for [Headers & Wire Housings](#) category:

Click to view products by [chxunda](#) manufacturer:

Other Similar products are found below :

[0015917161](#) [0022155065](#) [57102-F02-18ULF](#) [58102-G61-06LF](#) [582553-1](#) [01.001.5753.1](#) [0050291907](#) [02.125.8002.8](#) [609-3404](#) [61062-3](#)
[CSU011177004](#) [622-0430](#) [622-3653LF](#) [63453-116](#) [636-1030](#) [636-1427](#) [636-3427](#) [636-4007](#) [641938-9](#) [65495-038](#) [65692-001LF](#) [65781-018](#)
[65781-047](#) [65817-010LF](#) [65817-015LF](#) [67095-007LF](#) [67601157](#) [68631-112](#) [68645-018](#) [699319-000](#) [70.362.1628.0](#) [70-4210](#) [70-4226B](#) [70-](#)
[4853B](#) [71.350.2428.0](#) [733-134](#) [733-162](#) [760-3052](#) [MHR-64-VUAL](#) [80.063.4001.1](#) [800-90-001-10-001000](#) [801-43-002-10-013000](#)
[801-43-006-10-002000](#) [803-43-024-10-001000](#) [803-93-012-10-001000](#) [8-1437020-4](#) [819-22-004-30-001101](#) [820-22-006-30-001101](#)
[820-22-008-30-001101](#) [821-22-002-10-001101](#)