



HEATSINK KIT for DC/DC CONVERTERS

FEATURES:

- * Constructed of aluminum AL6063 for optimum heat transfer
- * Designed specifically for DC/DC Converters and other baseplate packages
- * Finished with black anodize plating
- * Mounting hardware and thermal pad are available

Ordering Information for Heatsinks:

Item	MODEL NUMBER			SUITABLE DC/DC PACKAGE	FIN STYLE	HEATSINK HEIGHT (mm)	THERMAL RESISTANCE (C/W)				
	HEATSINK	THERMAL PAD	MOUNTING HARDWARE (NOTES 5)				NATURAL CONVECTION	100 LFM	200 LFM	300 LFM	400 LFM
1	SBC100 (K-C087)	N/A ^7	CLIP HC01	SB 1"x1"	Cross Cut	10.0	12.5	--	--	--	--
2	BC100 (K-C088)	N/A ^7	CLIP HC01	B 2"x1"	Cross Cut	10.0	10.2	--	--	--	--
3	LBT127 (M-C655)	PL01	K258W	LB 2.05"x1.2"	Transverse	12.7	8.99	3.29	2.73	2.40	2.10
4	QBL127 (M-C448)	PQ01	K308W or K310W	Quarter Brick	Longitudinal	12.7	5.61	4.01	3.39	2.86	2.49
5	QBT210 (M-C421)				Transverse	21	4.78	2.44	2.06	1.76	1.58
6	HBL210 (M-C308)	PH01	K308W or K310W	Half Brick	Longitudinal	21	3.9	1.74	1.33	1.12	0.97
7	HBT127 (M-C091)				Transverse	12.7	4.7	2.89	2.3	1.88	1.59
8	HBT254 (M-C092)				Transverse	25.4	3.0	1.44	1.17	1.04	0.95
9	FBL254 (M-B012)	PF01	K320W	Full Brick	Longitudinal	25.4	2.4	1.76	1.17	1.0	0.83

NOTES:

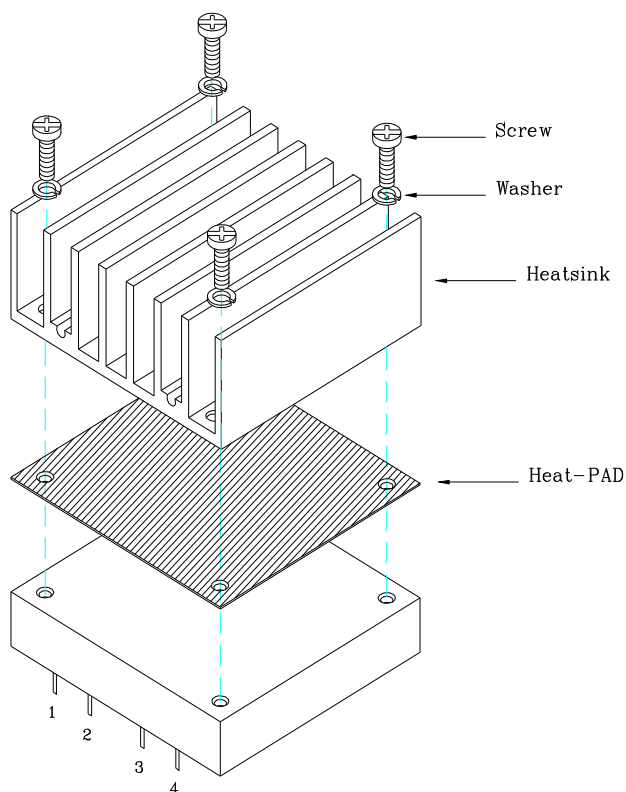
1. With threaded mounting hole
2. Example Part Numbers:
 - QBL127: Quarter Brick Heatsink (12.7mm High), plate fin (longitudinal)
 - FBL254PF01: Full Brick Heatsink (25.4mm High), plate fin (longitudinal) with thermal interface pad
 - HBT127PH01K308W: Half Brick Heatsink (12.7mm High), plate fin (transverse) with thermal interface pad and 4 pieces of M3 x 8mm screws & spring washers
 - HBL210K308W: Half Brick Heatsink (21.0mm High), plate fin (longitudinal) with 4 pieces of M3 x 8mm screws & spring washers
3. Thermal data provided are for reference only. Actual cooling performance may vary by application.
4. Specifications are subject to change without notice.
5. K258W: Screw set M2.5*8mm screw & lock washer x 2pcs K308W : Screw set M3*8mm screw with spring washer x 4pcs
 K310W: Screw set M3*10mm screw with spring washer x 4pcs K320W : Screw set M3*20mm screw & spring washer x 4pcs
 K320N: Screw set M3*20mm screw & lock screw nut x 4pcs
6. For volume orders, converters will be supplied with heat-sink already mounted. Separate heatsinks are only available for prototypes and small quantity orders.
7. Applying proper thermal paste is recommended.



HEATSINK KIT for DC/DC CONVERTERS

Ordering information for Heatsink Kits:

Item	HEATSINK KIT MODEL NUMBER	SUITABLE DC/DC PACKAGE	HEATSINK	THERMAL PAD	MOUNTING HARDWARE
1	SBC100HC01	SB 1"x1"	SBC100	none	CLIP HC01
2	BC100HC01	B 2"x1"	BC100	none	CLIP HC01
3	LBT127PL01K258W	LB 2.05"x1.2"	LBT127	PL01	K258W
4	QBL127PQ01K308W	Quarter Brick	QBL127	PQ01	K308W
5	QBT210PQ01K308W	Quarter Brick	QBT210	PQ01	K308W
6	HBL210PH01K310W	Half Brick	HBL210	PH01	K310W
7	HBT127PH01K310W	Half Brick	HBT127	PH01	K310W
8	HBT254PH01K310W	Half Brick	HBT254	PH01	K310W
9	HBT127K308W	Half Brick	HBT127	none	K308W
10	HBT254K308W	Half Brick	HBT254	none	K308W
11	FBL254PF01K308W	Full Brick	FBL254	PF01	K308W



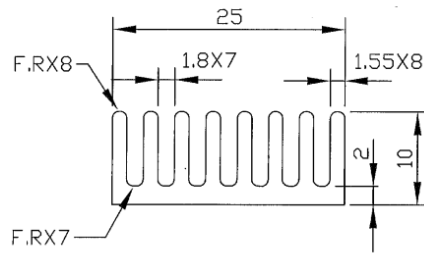
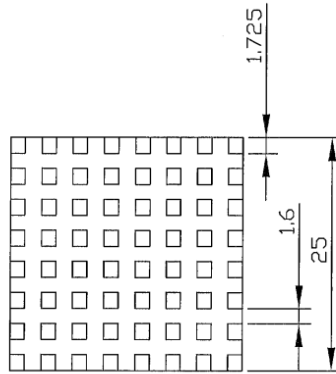


SB 1"x1" CASE HEATSINK KIT

Cross Cut Heat Sink: SBC100 (K-C087)

All Dimensions in mm

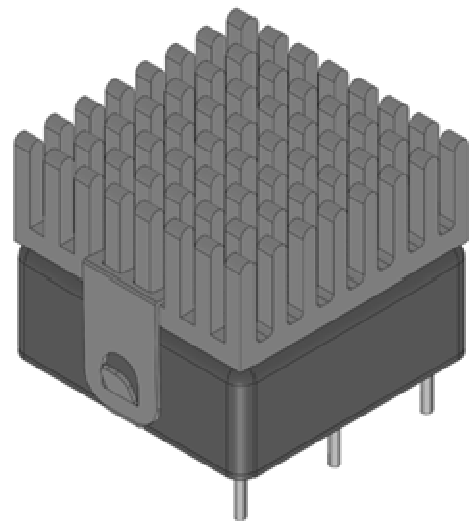
Rca: 12.5°C/W (typ.), at natural convection



Assembly:

Heat Sink: SBC100

Clip: HC01



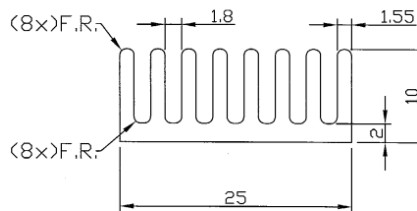
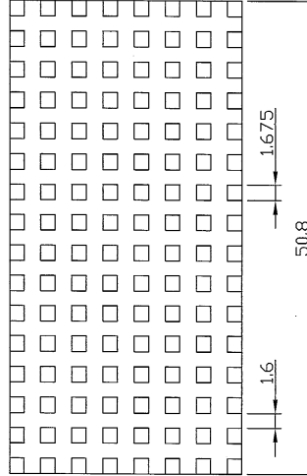


B 2"x1" CASE HEATSINK KIT

Cross Cut Heat Sink: BC100 (K-C088)

All Dimensions in mm

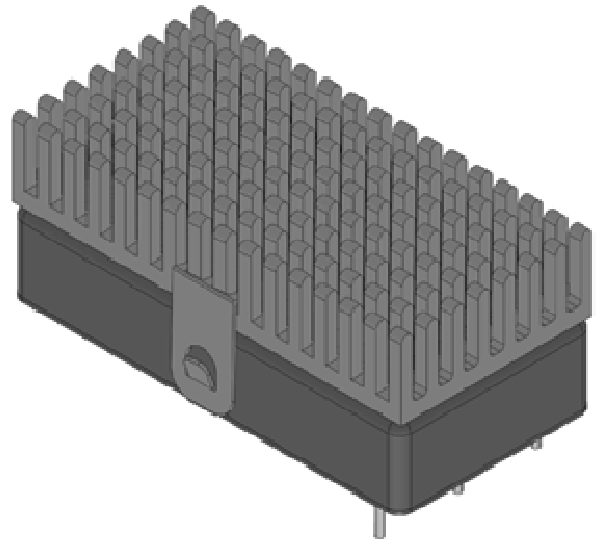
Rca: 10.2°C/W (typ.), at natural convection



Assembly:

Heat Sink: BC100

Clip: HC01



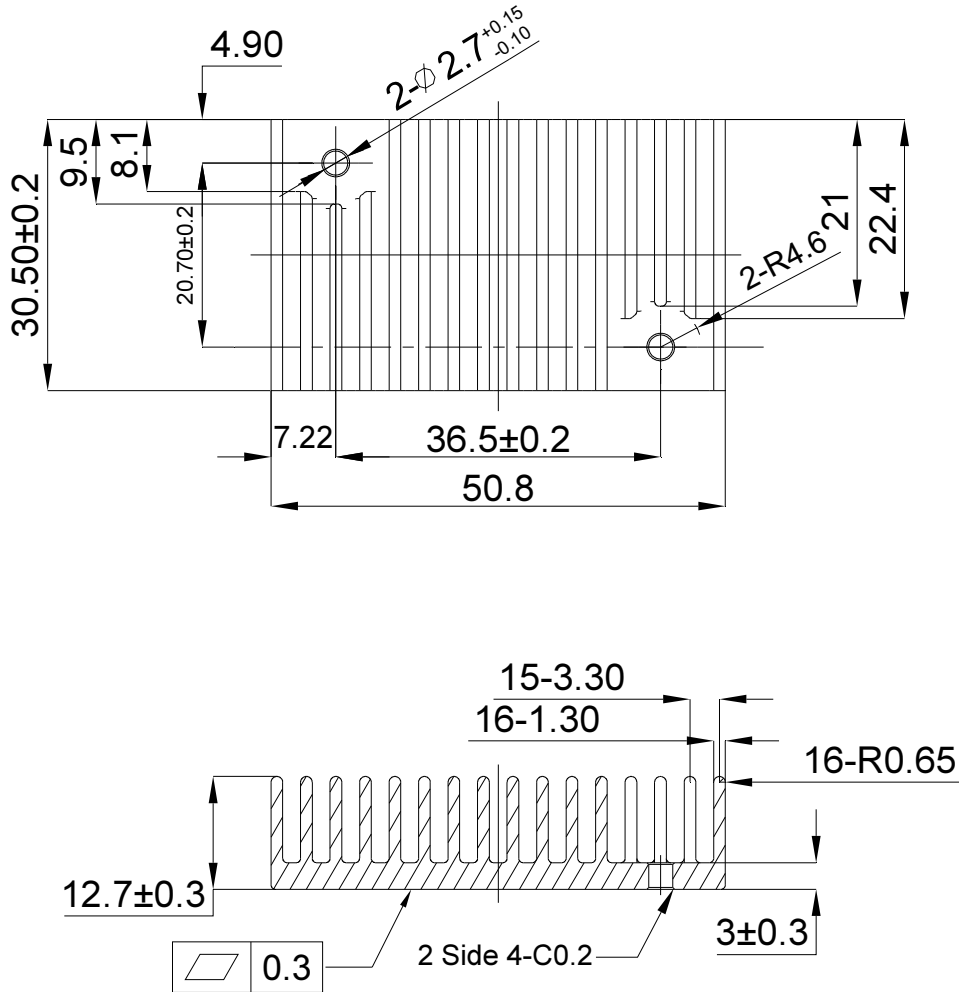


LB 2.05"x1.2" CASE HEATSINK KIT

PART NUMBER: LBT127PL01K258W

Heat Sink: LBT127 (M-C655) Transverse Fins

All Dimensions in mm



- Rca: 8.99°C/W (typ.), at natural convection
- 3.29°C/W (typ.), at 100LFM
- 2.73°C/W (typ.), at 200LFM
- 2.40°C/W (typ.), at 300LFM
- 2.10°C/W (typ.), at 400LFM

Thermal Pad: PL01 29.5*49.8*0.25mm

Screw Set: K258W M2.5*8mm+Lock Washer

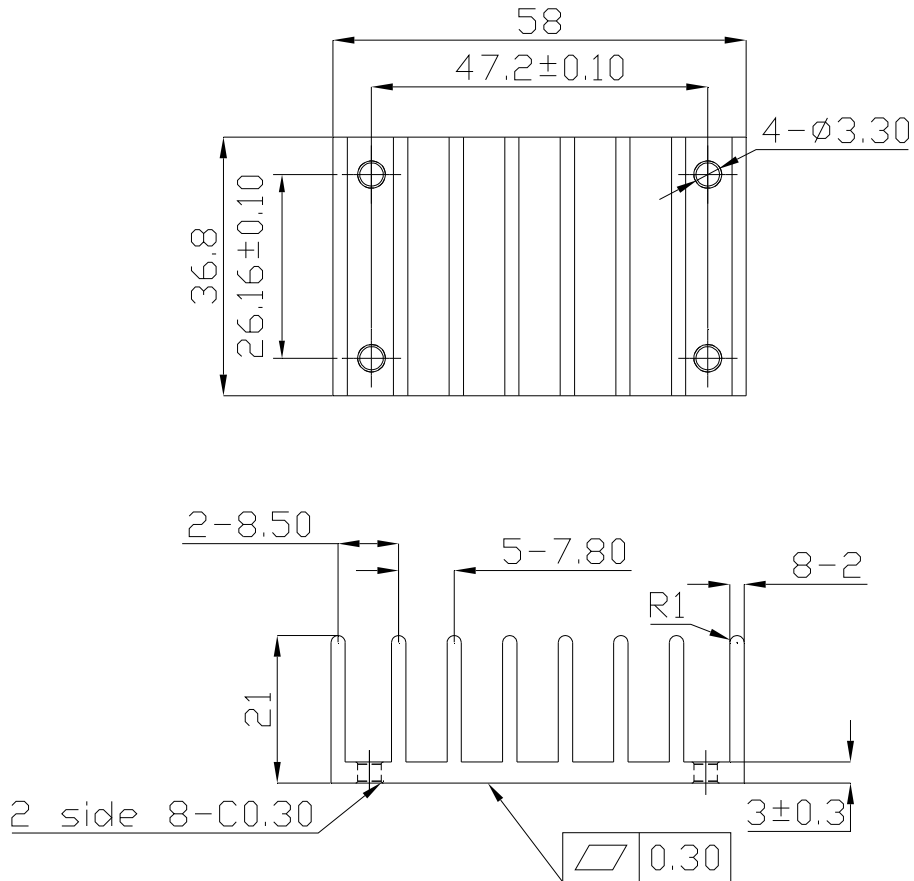


QB CASE HEATSINK KIT

PART NUMBER: QBT210PQ01K308W

Heat Sink: QBT210 (M-C421) Transverse Fins

All Dimensions in mm



- Rca: 4.78°C/W (typ.), at natural convection
- 2.44°C/W (typ.), at 100LFM
- 2.06°C/W (typ.), at 200LFM
- 1.76°C/W (typ.), at 300LFM
- 1.58°C/W (typ.), at 400LFM

Thermal Pad: PQ01 35.8*56.9*0.25 mm

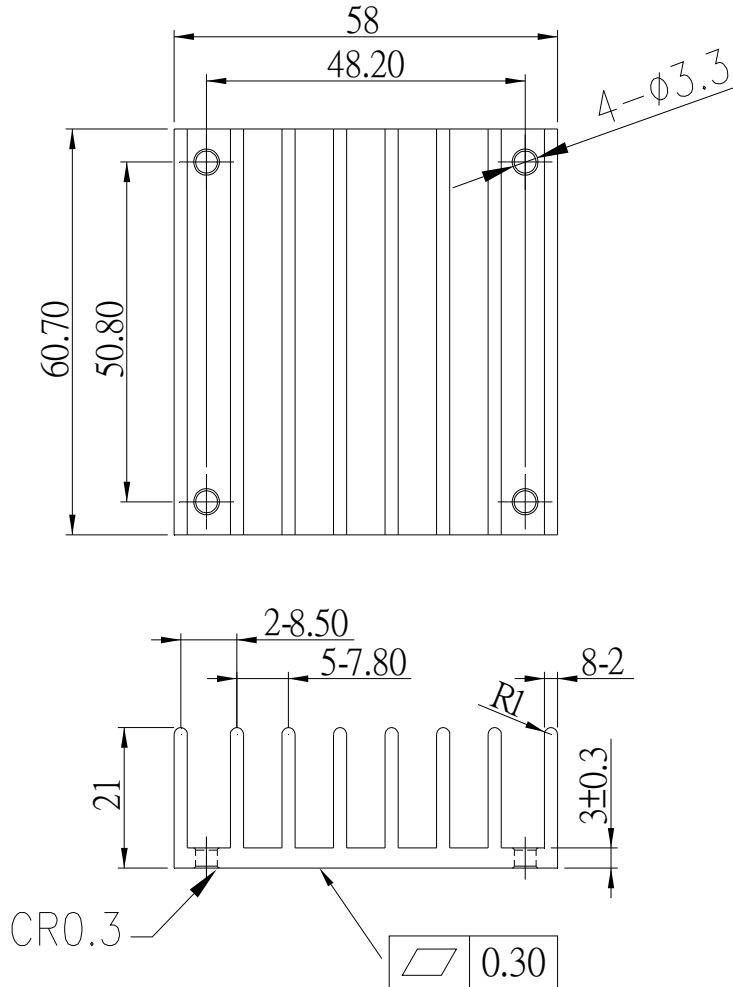
Screw Set: K308W SMP+SW M3*8mm



HB CASE HEATSINK

Heat Sink: HBL210 (M-C308) Longitudinal Fins

All Dimensions in mm



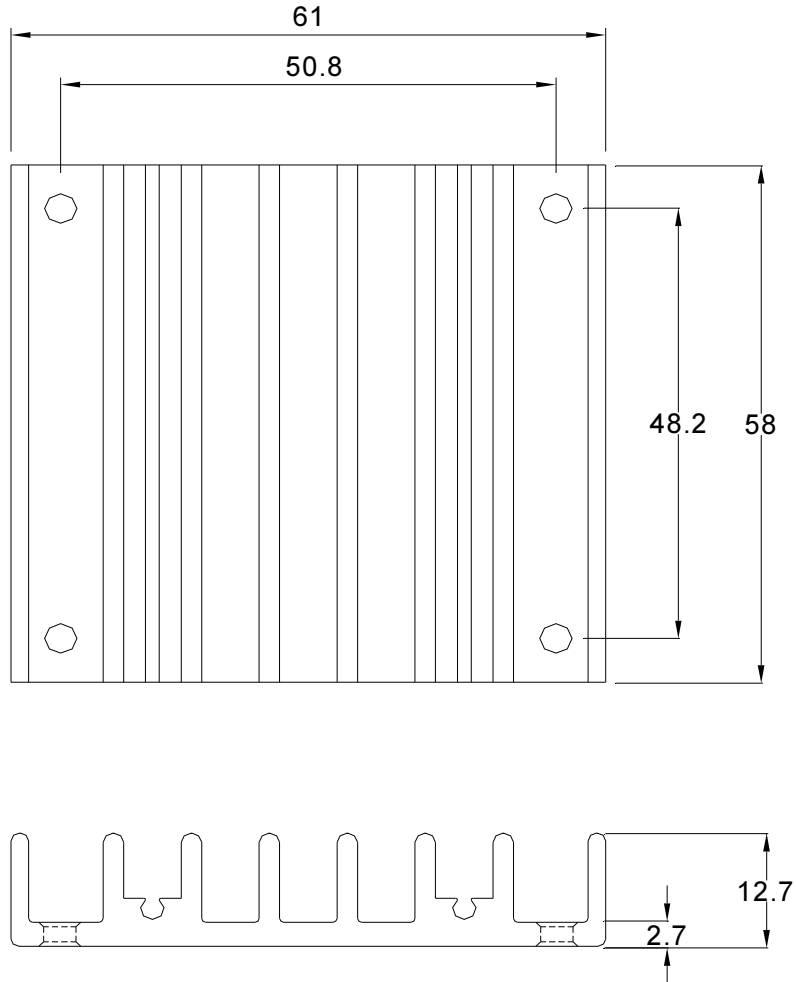
- Rca: 3.9°C/W (typ.), at natural convection
- 1.74°C/W (typ.), at 100LFM
- 1.33°C/W (typ.), at 200LFM
- 1.12°C/W (typ.), at 300LFM
- 0.97°C/W (typ.), at 400LFM



HB CASE HEATSINK

Heat Sink: HBT127 (M-C091) Transverse Fins

All Dimensions in mm



M-C091

Rca: 4.7°C/W (typ.), at natural convection

2.89°C/W (typ.), at 100LFM

2.30°C/W (typ.), at 200LFM

1.88°C/W (typ.), at 300LFM

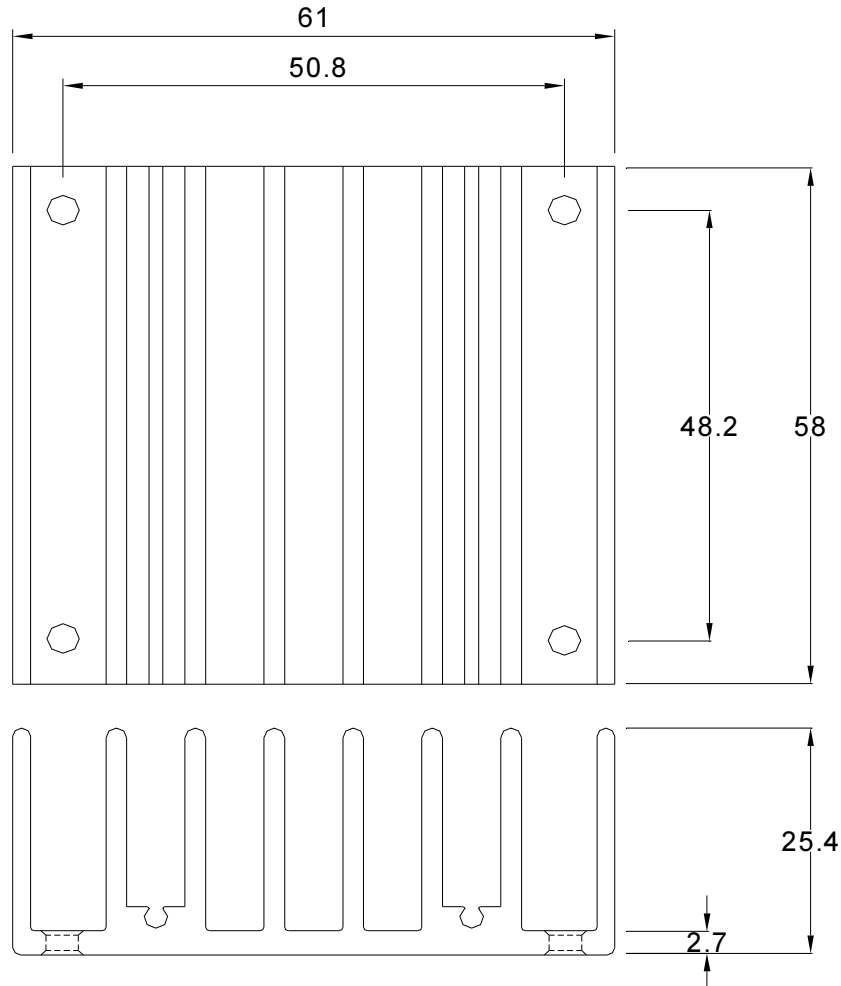
1.59°C/W (typ.), at 400LFM



HB CASE HEATSINK

Heat Sink: HBT254 (M-C092) Transverse Fins

All Dimensions in mm



M-C092

Rca: 3°C/W (typ.), at natural convection

1.44°C/W (typ.), at 100LFM

1.17°C/W (typ.), at 200LFM

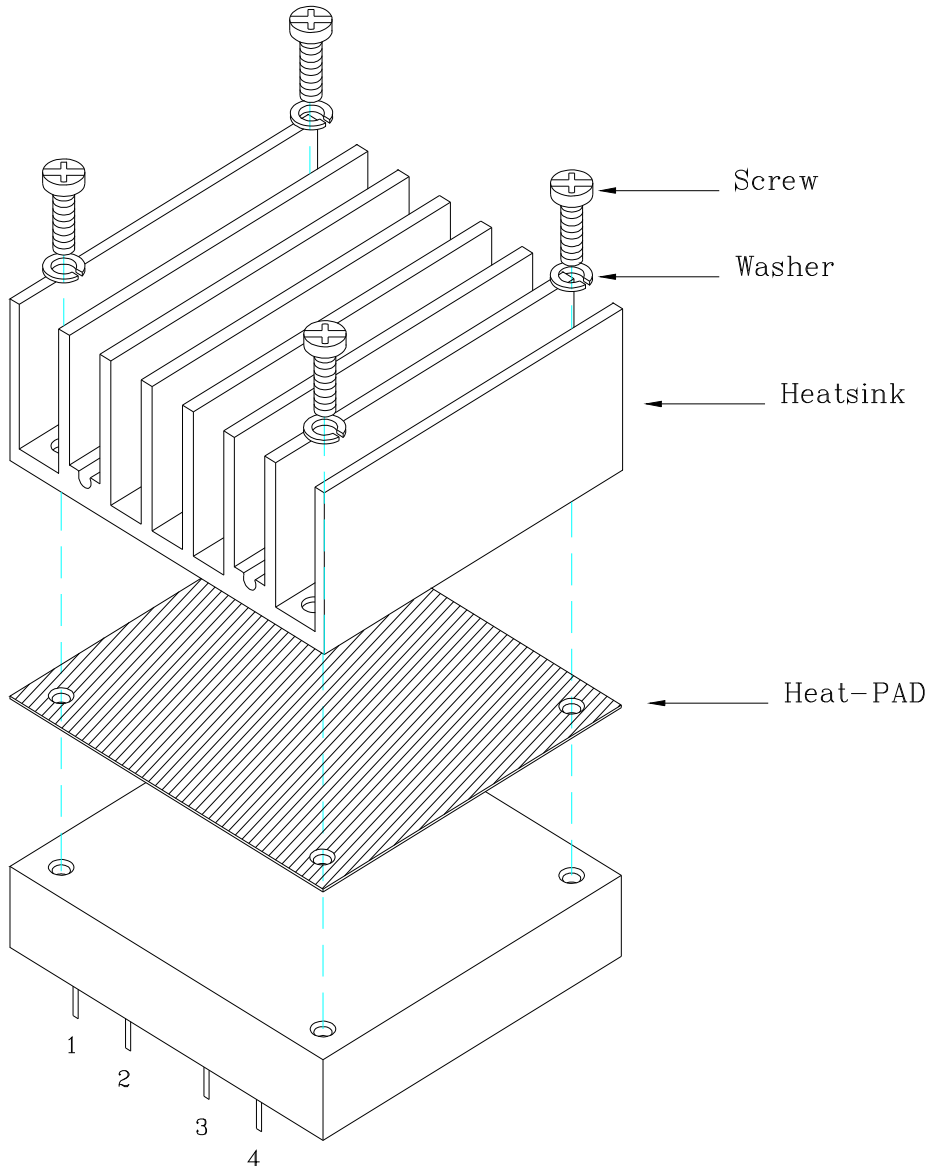
1.04°C/W (typ.), at 300LFM

0.95°C/W (typ.), at 400LFM



HB CASE HEATSINK Assembly

**PART NUMBER: HBL210PH01K310W; HBT127PH01K310W;
HBT254PH01K310W**

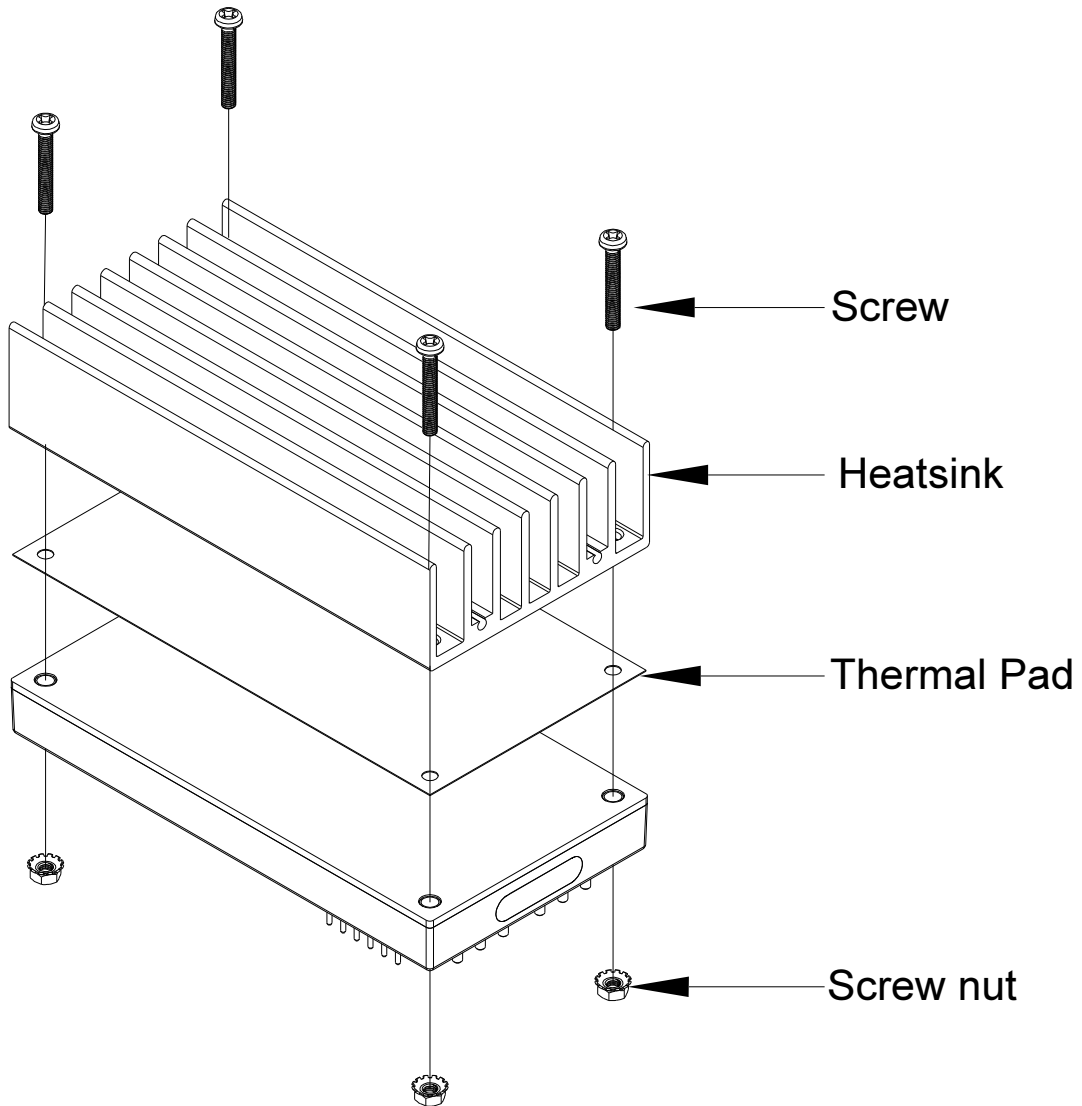


Heat Sink: HBL210 (M-C308)
HBT127 (M-C091)
HBT254 (M-C092)

Thermal Pad: PH01 56.9*60*0.25 mm
Screw Set: K308W SMP+SW M3*8mm



FB CASE HEATSINK Assembly



Heat Sink: FBL254 (M-B012)

Thermal Pad: PF01 60*115.8*0.25mm

Screw Set: K320N M3*20mm + Nut NH+WOM3*P0.5N

X-ON Electronics

Largest Supplier of Electrical and Electronic Components

Click to view similar products for [Heat Sinks](#) category:

Click to view products by [Cincon](#) manufacturer:

Other Similar products are found below :

[581102B00000G](#) [656-15ABPE](#) [657-20ABPNE](#) [7020B-TC12-MTG](#) [73452PPBA](#) [7G0011A](#) [PF720G](#) [A22-4026](#) [120-1873-007](#) [HAH10L](#)
[HAH15L](#) [HF20](#) [1542616-1](#) [HS-2506-F1](#) [HS-87M0-F2](#) [218-40CTE3](#) [231-69PAB-15V](#) [25-7520](#) [SW50-4G](#) [231-75PAB-13V](#) [231-75PAB-](#)
[15V](#) [253-122ABE-22](#) [PSC22CB](#) [CLP212SG](#) [CLP-7701G](#) [HAA083](#) [HAF10L](#) [HAQ10T](#) [D10100-28](#) [BDN183CBA01](#) [3-21053-4](#) [32438](#)
[TX0506-1B](#) [TX1806B](#) [LAE66A3CB](#) [WA-DT2-101E](#) [511-3U](#) [73381PPBA](#) [73403PPBA](#) [7G0047C](#) [COMX-440-HSP](#) [510-12M](#) [D10650-](#)
[40T5](#) [V8511 Y](#) [APF40-40-13CB/A01](#) [780653U04500G](#) [ATS-54310K-C2-R0](#) [FK 216 CB SA](#) [FK 231 SA 220](#) [648-51AB](#)