



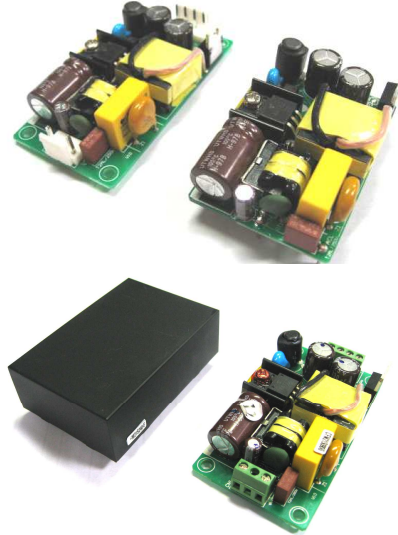
# CFM21 SERIES

## 20 WATT SINGLE OUTPUT AC-DC MODULES



### Features

- \* Universal Input Range 90~264VAC
- \* Miniature Size Low Profile 0.8"
- \* Industry-Standard Pin Out
- \* Efficiency to 85%
- \* Option for On-Board, Connector, Screw Terminal or Encapsulated type
- \* Continuous Short Circuit Protection
- \* Over Voltage Protection
- \* No Load Input Power < 0.3W
- \* Leakage Current < 0.1mA
- \* IEC/EN/UL 60601-1 Medical Safety Approved



MODEL	INPUT VOLTAGE	OUTPUT VOLTAGE	MIN. LOAD	MAX. LOAD	OUTPUT RATED POWER	RIPPLE & NOISE	VOLTAGE ACCURACY	% EFF.
CFM21S033	90~264 VAC	3.3 V	0	4.0 A	13.2 W	50 mV	±1%	75%
CFM21S050	90~264 VAC	5.0 V	0	4.0 A	20.0 W	50 mV	±1%	80%
CFM21S090	90~264 VAC	9.0 V	0	2.3 A	20.7 W	90 mV	±1%	81%
CFM21S120	90~264 VAC	12 V	0	1.7 A	20.4 W	100 mV	±1%	83%
CFM21S150	90~264 VAC	15 V	0	1.4 A	21.0 W	100 mV	±1%	84%
CFM21S240	90~264 VAC	24 V	0	0.9 A	21.6 W	100 mV	±1%	85%

Specifications are subject to change without notice.

章 節	CFM-14
頁 次	1-1

## Specifications

### INPUT SPECIFICATIONS:

Voltage	90~264Vac
	120~370Vdc
Frequency	47 to 63Hz
Input Current	0.3 to 0.5A
Inrush Current	Cold Start@25°C 40A max. @230Vac
Leakage Current	0.1mA max.

### OUTPUT SPECIFICATIONS:

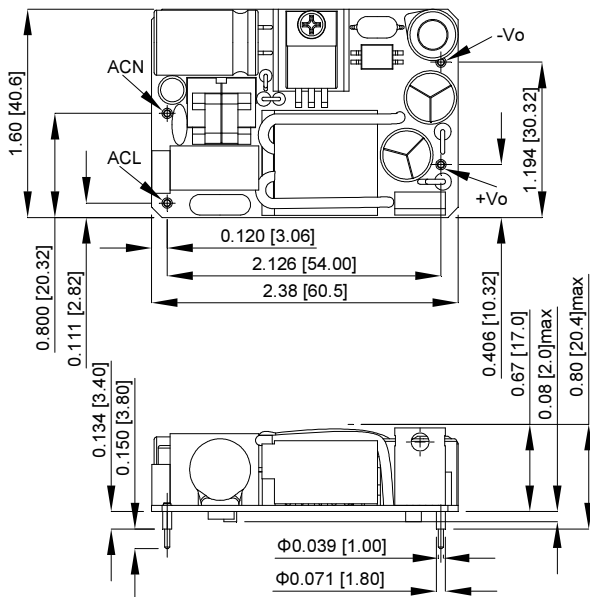
Voltage Accuracy:	±1.0% max.
Line Regulation (note3)	±0.5% max.
Load Regulation (note4)	±1.0% max.
Hold-up Time	10ms typ. @115Vac
Short Circuit Protection	Continuous
Over Voltage Protection (TVS)	115%-140% of Nominal Output Voltage

### GENERAL SPECIFICATIONS:

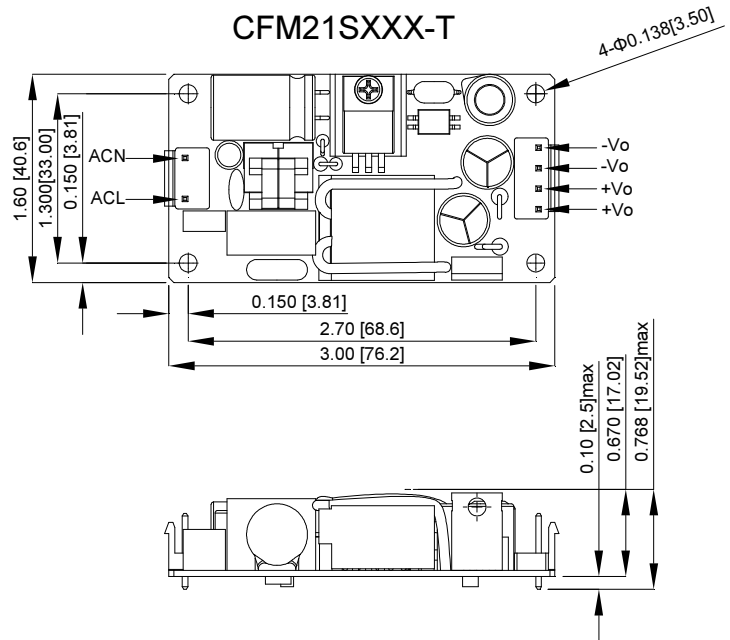
Efficiency	See Table
Switching Frequency	100KHz typ.
Isolation	Input to Output = 5656VDC
Operating Temperature	-25 ~ 70°C (with De-rating)
Storage Temperature	-40~85°C
Cooling	Natural Convection
Humidity	93% RH max. Non Condensing
MTBF	MIL-HDBK-217F, GB 650Khrs min.
Dimensions	2.38x1.60x0.80inches (60.5x40.6x20.4mm)
	-T: 3.00x1.60x0.77inches (76.2x40.6x19.5mm)
	-E: 2.53x1.74x0.80inches (64.2x44.2x20.4mm)
	-S: 3.00x1.60x0.77inches (76.2x40.6x19.5mm)
Weight	50g, 55g (-T, -S), 105g (-E)

### Mechanical Specification

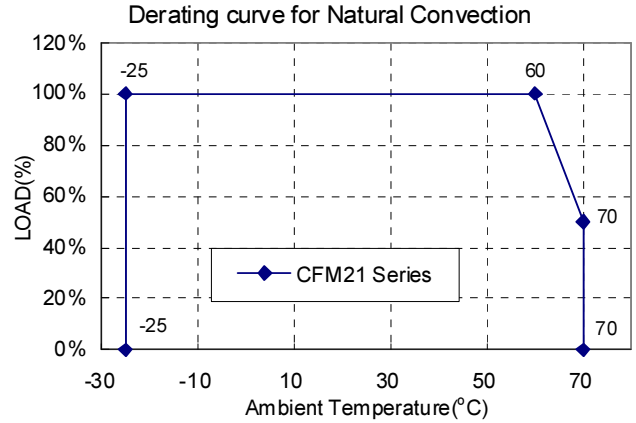
CFM21SXXX



CFM21SXXX-T



## CFM21 Series De-rating Curve

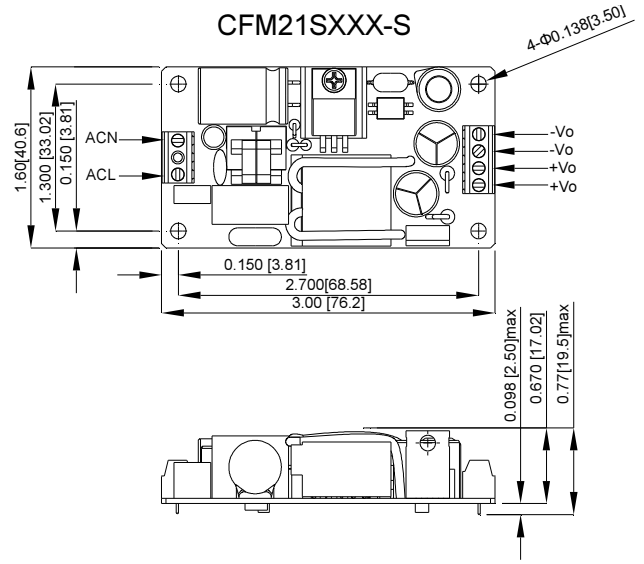
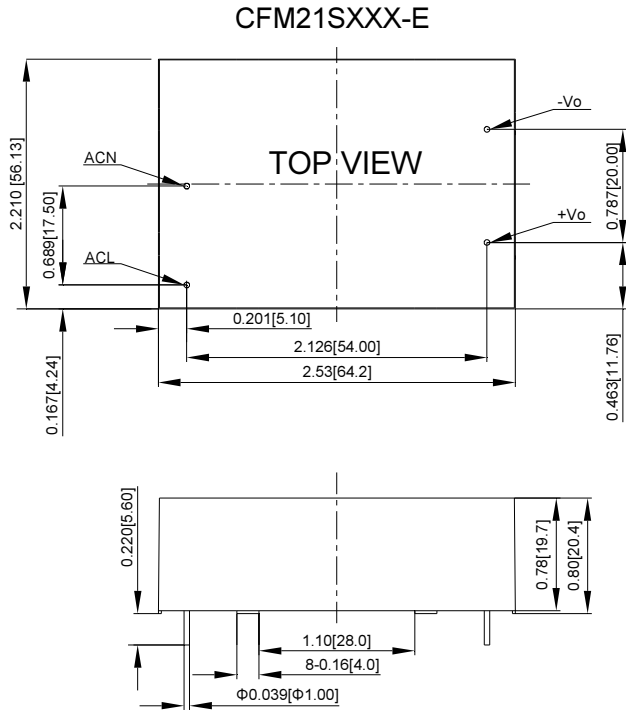


### SAFETY AND EMISSION:

CE Directive	2004/108/EC, 93/42/EEC
Emissions	EN60601-1/EN61204-3/EN55032/CISPR Class B, EN55024
Safety Approvals	IEC/EN/UL 60601-1

### NOTE:

1. Voltage accuracy is set of 100% rated load.
2. Add a 0.1uF ceramic capacitor and a 10uF E.L. capacitor to output for ripple&noise measuring @20MHz BW.
3. Line regulation is measured from high line to low line with full load.
4. Load regulation is measured from 10% to 100% full load.
5. T Version Connection: JST B3P-VH / B4P-VH or equivalent.
6. S Version Connection: DECA MB332-381A or equivalent.



All Dimensions In Inches[mm]  
 Tolerance: Inches:x.xx= ±0.02,x.xxx= ±0.01  
 Millimeters:x.x= ±0.5,x.xx= ±0.25

Typical at 25°C, nominal line and 75% load, unless otherwise Specified

## X-ON Electronics

Largest Supplier of Electrical and Electronic Components

*Click to view similar products for [Switching Power Supplies](#) category:*

*Click to view products by [Cincon](#) manufacturer:*

Other Similar products are found below :

[70841011](#) [73-551-0005](#) [73-551-0048](#) [EVS57-5R3/A](#) [PS3E-B12F](#) [PS3E-E12F](#) [AAD600S-4-OP](#) [R22095](#) [KD0204](#) [9021](#) [LDIN100150](#)  
[LPM000-BBAR-01](#) [LPX17S-C](#) [EVS57-10R6/R](#) [FP80](#) [FRV7000G](#) [22929](#) [PS3E-F12F](#) [CQM1IA121](#) [40370121900](#) [VI-PU22-EXX](#)  
[40370121910](#) [LDIN5075](#) [LPM615-CHAS](#) [LPX140-C](#) [09-160CFG](#) [70841025](#) [VPX3000-CBL-DC](#) [VI-LUL-IU](#) [LPM000-BBAR-05](#) [LPM000-](#)  
[BBAR-08](#) [LPM124-OUTA1-48](#) [LPM000-BBAR-07](#) [LPM109-OUTA1-10](#) [LPM616-CHAS](#) [08-30466-1055G](#) [08-30466-2175G](#) [08-30466-](#)  
[2125G](#) [DMB-EWG](#) [TVQF-1219-18S](#) [6504-226-2101](#) [CQM1IPS01](#) [SP-300-5](#) [CQM1-IPS02](#) [VI-MUL-ES](#) [22829](#) [08-30466-0065G](#) [VI-](#)  
[RU031-EWWX](#) [08-30466-0028G](#) [VP-C2104853](#)