



# FM SERIES 30 AMP OUTPUT FILTER MODULE

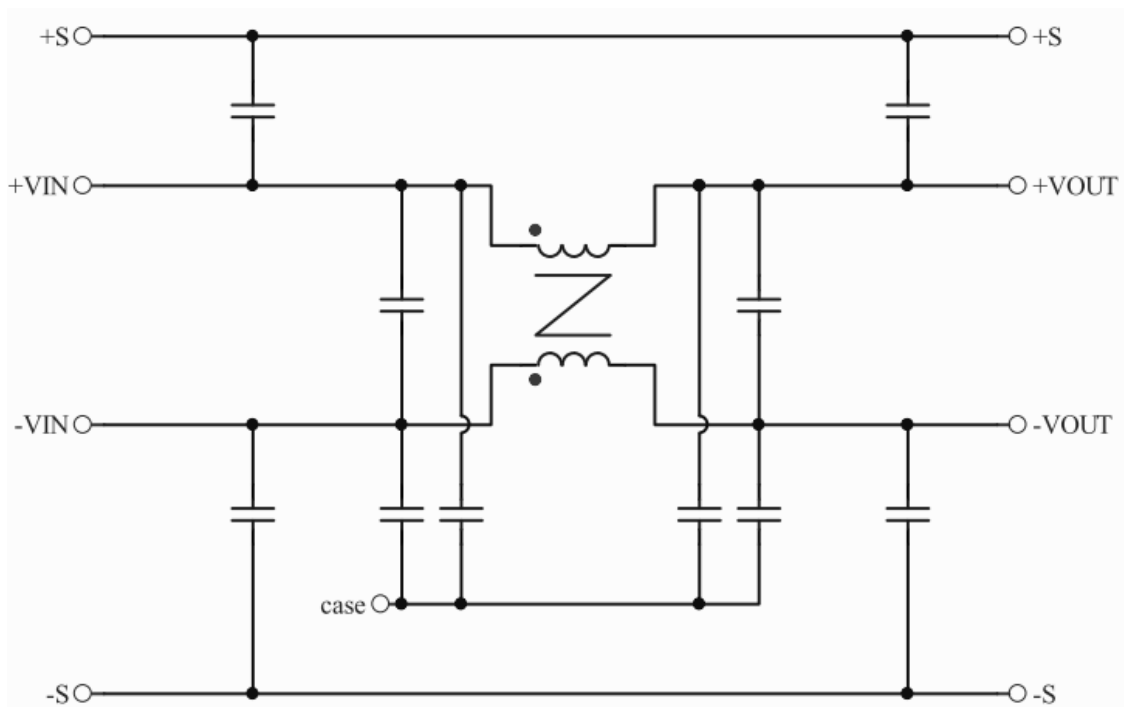


## FEATURES

- \* Compact Size 2.28"x1.45"
- \* Quarter-Brick Size
- \* Six-Sided Shield Metal Case
- \* PCB Mount
- \* 30A Filter Module
- \* 80VDC Input Voltage Maximum
- \* Suitable for EN50121-3-2: 2015 Output Specification
- \* Fire & Smoke Meets EN45545-2



MODEL NUMBER	INPUT VOLTAGE	INPUT SURGE VOLTAGE	OUTPUT RATED CURRENT	DC RESISTANCE (+Vin to +Vo)	DC RESISTANCE (-Vin to -Vo)
FM30R080P	80 VDC max.	100 VDC max.	30 A max.	3.0 mΩ typ.	3.0 mΩ typ.



Schematic for FM30R100P Module

# SPECIFICATIONS

All Specifications Typical At Nominal Line, Full Load, and 25°C Unless Otherwise Noted

## INPUT SPECIFICATIONS:

Input Voltage Range ..... 80Vdc max.  
 Input Surge Voltage ..... 100Vdc/1s  
 Input Rated Current (note 1) ..... 30A max.

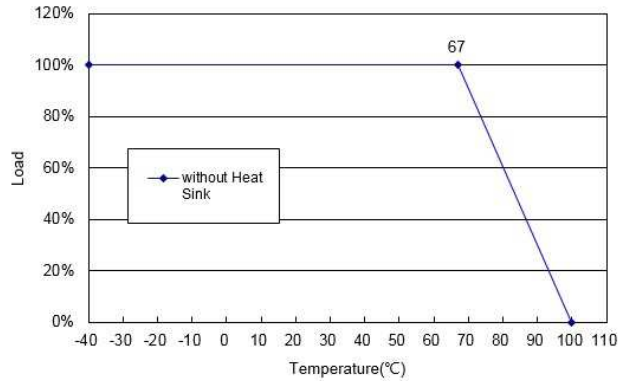
## GENERAL SPECIFICATIONS:

Isolation Voltage ..... Input/Case/Output/Case ..... 1000Vdc min.  
 Isolation Resistance ..... 10<sup>9</sup>ohm min.  
 DC Resistance ..... See Table  
 Operating Case Temperature Range (note1) ..... -40°C to +100°C  
 Storage Temperature Range ..... -55°C to +105°C  
 Dimensions ..... 2.28x1.45x0.50inches (57.9x36.8x12.7mm)  
 Case Materials ..... Aluminum with Non-Conducted Base  
 Weight ..... 60g

## NOTE :

1. Maximum case temperature under any operating condition should not exceed 100°C.

FM30-100 Typical Power De-rating Curve



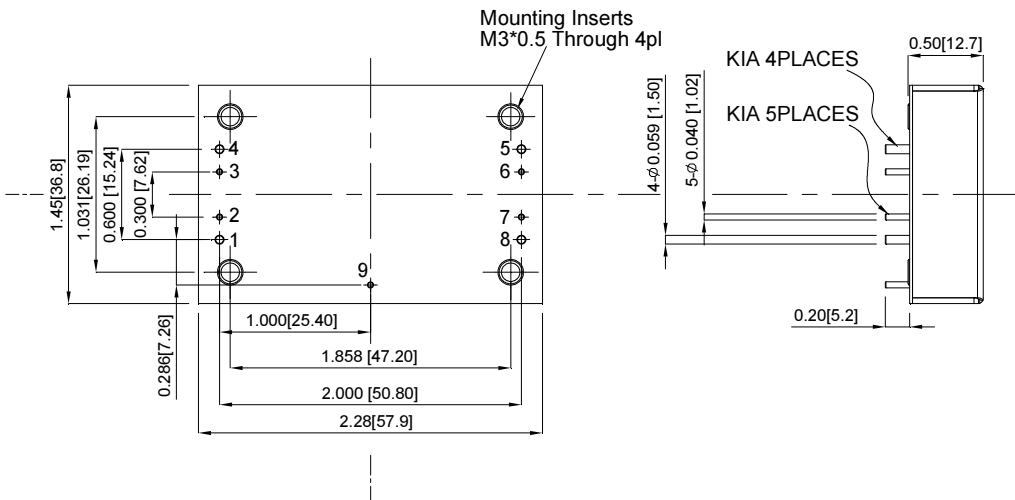
Typical Common-mode Loss for FM30R100P



Typical Differential-mode Loss for FM30R100P

All Dimensions In Inches[mm]  
 Tolerance Inches:x.xx= ±0.02, x.xxx= ±0.010  
 Millimeters:x.x= ±0.5, x.xx=±0.25

## BOTTOM VIEW



PIN CONNECTION	
PIN	Function
1	+V Input
2,7	+Sense
3,6	-Sense
4	-V Input
5	-V Output
8	+V Output
9	Case

## X-ON Electronics

Largest Supplier of Electrical and Electronic Components

*Click to view similar products for [Power Line Filters](#) category:*

*Click to view products by [Cincon](#) manufacturer:*

Other Similar products are found below :

[6609019-3](#) [6609026-5](#) [6609030-6](#) [6609973-2](#) [D30A](#) [7-1609090-5](#) [F2810](#) [F4456A](#) [F7382Z](#) [F7863Z](#) [FAHAV3100ZC000](#) [806276](#) [FN2020B-1-06](#) [FN2080B-10-06](#) [FN2410H-32-33](#) [FN2410H-80-34](#) [FP144](#) [FS4153-20-06](#) [FS4353-500-99](#) [12-MMB-030-11-D](#) [DB4-393](#) [15811T200](#) [20B1](#) [LC630](#) [2B1](#) [1609080-2](#) [1609993-8](#) [1-6609070-1](#) [F1100AA02](#) [F1150CC10](#) [F1500CA10](#) [F1500CA15](#) [F4041Z](#) [F7585E](#) [1B1](#) [FN2070A-16-06](#) [FN2090A-20-06](#) [FN2090B-12-06](#) [FN2090Z-1-06](#) [FN2410H-25-33](#) [FN2410H-60-34](#) [FN2410H-8-44](#) [FN2412H-8-44](#) [FN323B-6-01](#) [FN3258H-130-35](#) [FN610R-3-06](#) [20EHQ7](#) [20EHZ7](#) [20K1](#) [30B6](#)