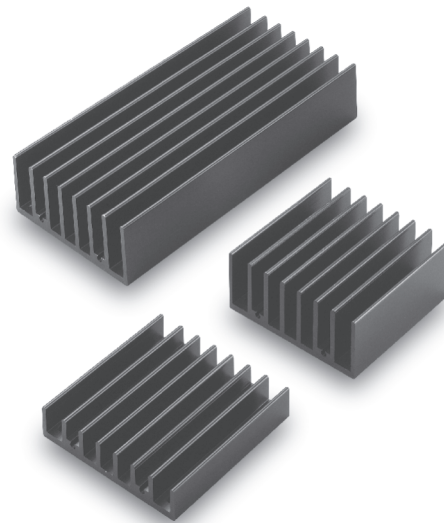


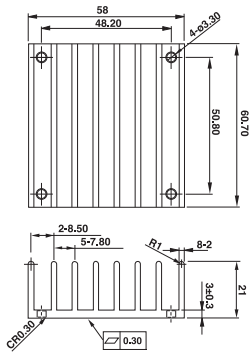
HEAT SINKS



HALF BRICK CASE HEATSINK

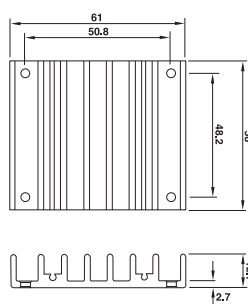
All Dimensions In mm

Longitudinal Fins
Model No. :M-C308



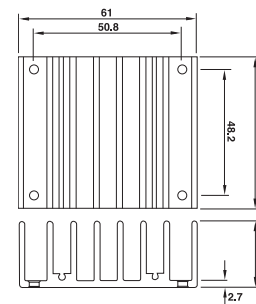
Rca: 3.9°C/W (typ.), At natural convection
1.74°C/W (typ.), At 100LFM
1.33°C/W (typ.), At 200LFM
1.12°C/W (typ.), At 300LFM
0.97°C/W (typ.), At 400LFM

Transverse Fins
Model No. :M-C091



Rca: 4.7°C/W (typ.), At natural convection
2.89°C/W (typ.), At 100LFM
2.30°C/W (typ.), At 200LFM
1.88°C/W (typ.), At 300LFM
1.59°C/W (typ.), At 400LFM

Transverse Fins
Model No. :M-C092

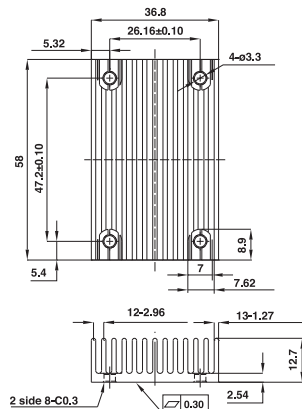


Rca: 3°C/W (typ.), At natural convection
1.44°C/W (typ.), At 100LFM
1.17°C/W (typ.), At 200LFM
1.04°C/W (typ.), At 300LFM
0.95°C/W (typ.), At 400LFM

QUARTER BRICK CASE HEATSINK

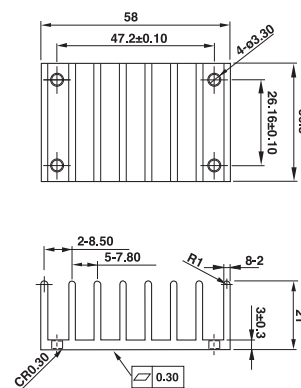
All Dimensions In mm

Longitudinal Fins
Model No. :M-C448
Thermal Pad: SZ56.9x35x0.25mm
Screw: SMP+SW M3x8L



Rca: 5.61°C/W (typ.), At natural convection
4.01°C/W (typ.), At 100LFM
3.39°C/W (typ.), At 200LFM
2.86°C/W (typ.), At 300LFM
2.49°C/W (typ.), At 400LFM

Transverse Fins
Model No. :M-C421
Thermal Pad: SZ56.9x35x0.25mm
Screw: SMP+SW M3x8L

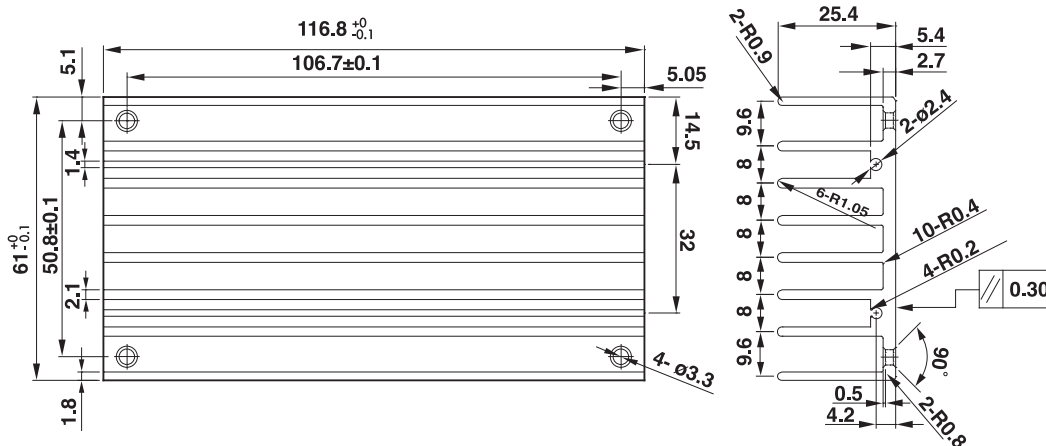


Rca: 4.78°C/W (typ.), At natural convection
2.44°C/W (typ.), At 100LFM
2.06°C/W (typ.), At 200LFM
1.76°C/W (typ.), At 300LFM
1.58°C/W (typ.), At 400LFM

FULL BRICK HEATSINK

All Dimensions In mm

Transverse Fins Model No. :M-B012



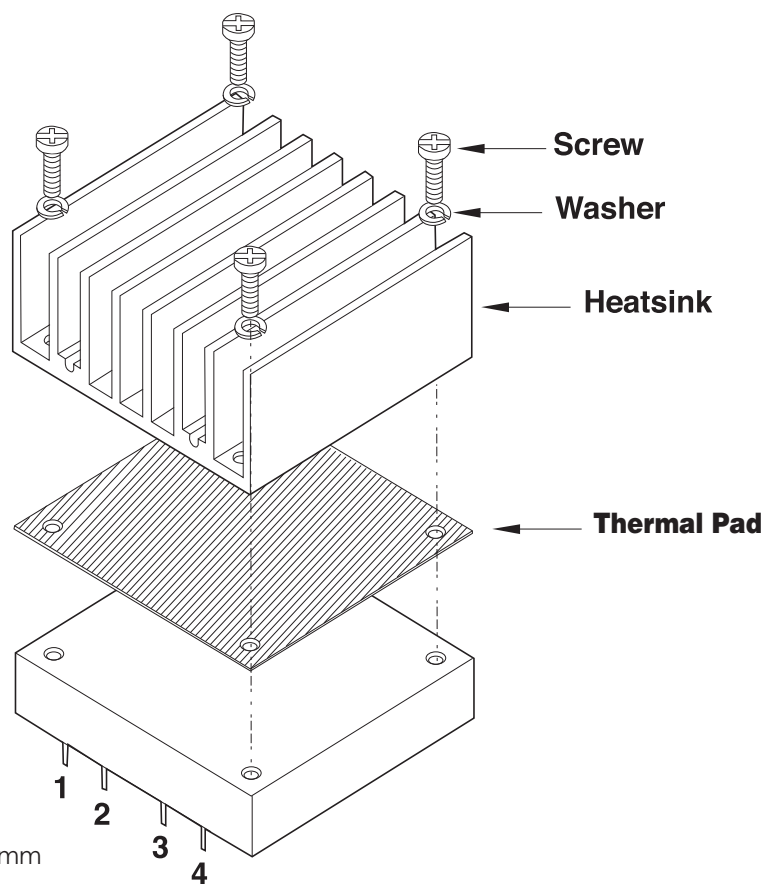
Thermal pad: SR60x115.8x0.23mm

Screw: SMP+SW M3x8L

Thermal Resistance: 2.07°C/W (typ.), At natural convection

HEAT SINK

HALF BRICK HEATSINK ASSEMBLY



Heat Sink: M-C308

M-C091

M-C092

Thermal Pad: SZ56.9x60x0.25mm

Screw: SMP+SW M3x8L

X-ON Electronics

Largest Supplier of Electrical and Electronic Components

Click to view similar products for [Heat Sinks](#) category:

Click to view products by [Cincon](#) manufacturer:

Other Similar products are found below :

[581102B00000G](#) [656-15ABPE](#) [657-20ABPNE](#) [7020B-TC12-MTG](#) [73452PPBA](#) [7G0011A](#) [PF720G](#) [A22-4026](#) [120-1873-007](#) [HAH10L](#)
[1542616-1](#) [HS-2506-F1](#) [HS-87M0-F2](#) [218-40CTE3](#) [231-69PAB-15V](#) [25-7520](#) [SW50-4G](#) [231-75PAB-13V](#) [231-75PAB-15V](#) [253-122ABE-](#)
[22](#) [PSC22CB](#) [HAF10L](#) [HAQ10T](#) [D10100-28](#) [BDN183CBA01](#) [3-21053-4](#) [32438](#) [TX0506-1B](#) [TX1806B](#) [LAE66A3CB](#) [WA-DT2-101E](#) [511-](#)
[3U](#) [73381PPBA](#) [73403PPBA](#) [7G0047C](#) [COMX-440-HSP](#) [510-12M](#) [D10650-40T5](#) [V8511 Y](#) [APF40-40-13CB/A01](#) [780653U04500G](#) [ATS-](#)
[54310K-C2-R0](#) [FK 216 CB SA](#) [FK 231 SA 220](#) [648-51AB](#) [657-20ABPESC](#) [2341BG](#) [679-25AG](#) [FK 212 CB SA](#) [FK225 SA L1](#)