



PDF700S Series Application Note V12

AC-DC Switching Power Module PDF700S SERIES APPLICATION NOTE



Approved By:

Department	Approved By	Checked By	Written By
Research and Development Department	Enoch	Lance	SYLin
		Ovid	
Design Quality Department	Benny	JoJo	



PDF700S Series Application Note V12

Contents

1. Introduction	3
2. Pin Function Description	3
3. Electrical Block Diagram	3
4. Connection for Standard Use	4
5. Recommended Layout PCB Footprint and Soldering Information.....	4
6. Test Set-Up.....	4
7. Features and Functions	5
7.1 Over Current Protection	5
7.2 Over Voltage Protection	5
7.3 Over Temperature Protection.....	5
7.4 Remote On/Off.....	5
7.5 Output Remote Sensing.....	5
7.6 Output Voltage Adjustment	6
7.7 IOG Signal.....	7
8. Input / Output Considerations	8
8.1 Hold Up Time	8
8.2 Inrush Current Limiting Resistor TRF1	8
8.3 Input Derating Curve	8
8.4 Output Ripple and Noise.....	8
8.5 Output Capacitance	9
8.6 Series Operation	9
8.7 Input EMI filter at the Power Module.....	10
9. Thermal Design.....	14
9.1 Operating Temperature Range.....	14
9.2 Convection Requirements for Cooling	14
9.3 Thermal Considerations.....	14
9.4 Power Derating	14
9.5 Full Brick Heat Sink.....	16
10. Packing Information	17



PDF700S Series Application Note V12

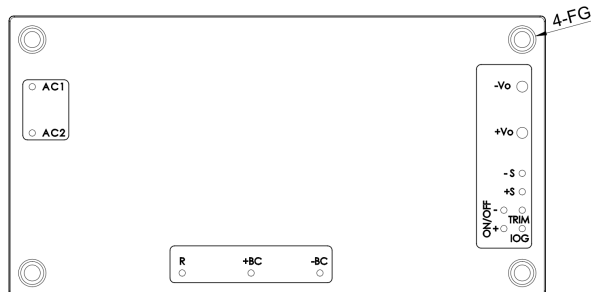
1. Introduction

The PDF700S series of AC-DC converters offers 700 watts of output power at single output voltages of 12, 24, 28, 48, 56Vdc. High efficiency up to 91.5%, allowing case operating temperature range from -40°C to 100°C . An optional heat sink is available to extend the full power range of the unit.

The standard control functions include remote on/off and +5%, -5% (PDF700S560: +1.8%, -5%) adjustable output voltage.

Fully protected against input UVLO (under voltage lock out), output over-current, output over-voltage and over-temperature and continuous short circuit conditions.

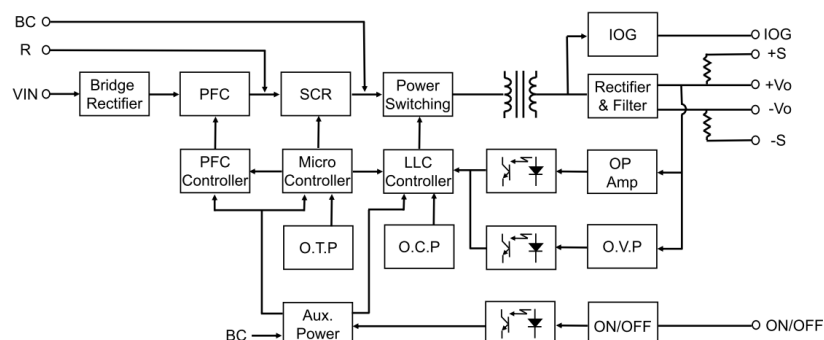
2. Pin Function Description



No	Label	Function	Description
1	AC1	AC Input	AC supply input
2	AC2	AC Input	
3	R	Inrush Current Limit	Inrush current can be reduced by external resistor
4	+BC	PFC Positive Output	Connect capacitors between +BC and -BC to stable operation
5	-BC	PFC Negative Output	
6	ON/OFF+	Remote On/Off+	Connect current source between ON/OFF+ and ON/OFF- to remote on/off the module
7	ON/OFF-	Remote On/Off -	
8	IOG	Monitor Operating Signal	Monitor normal and abnormal operation of the converter
9	Trim	Trim	External output voltage adjustment
10	+S	+Sense	Positive output remote sense
11	-S	-Sense	Negative output remote sense
12	+Vo	+V Output	Positive power output
13	-Vo	-V Output	Negative power output
--	--	Mounting Insert	Mounting insert (FG)

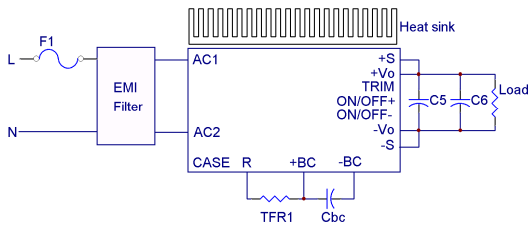
Note: Base plate can be connected to FG through M3 threaded mounting insert. Recommended torque 3Kgf-cm.

3. Electrical Block Diagram



4. Connection for Standard Use

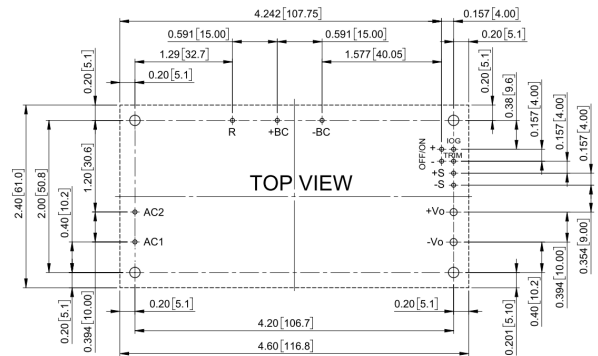
The connection for standard use is shown below. An external EMI filter for all models is recommended to reduce input current noise. The bus capacitor (Cbc) is recommended to set 990uF (NCC KMR 330uFx3). The TFR1 is used to limit input inrush current.



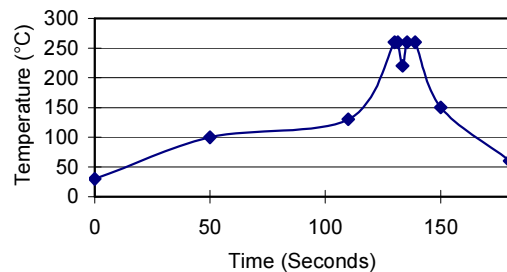
Symbol	Component
F1	Input fuse
EMI Filter	External EMI filter on the input side
TFR1	External thermal fuse resistor
Cbc	External capacitor connected between +BC and -BC is necessary to keep operating stable
C5, C6	External capacitor 10 and 0.1uF for ripple and noise on the output side
ON/OFF+ ON/OFF-	External Remote ON/OFF control
TRIM	External output voltage adjustment
+Sense -Sense	External voltage compensation
Heat sink	External heat sink

5. Recommended Layout PCB Footprint and Soldering Information

The system designer or end user must ensure that metal and other components in the vicinity of the converter meet the spacing requirements for which the system is approved. Low resistance and inductance PCB layout traces are the norm and should be used where possible. Due consideration must also be given to proper low impedance tracks between power module, input and output grounds. The recommended soldering profile and PCB layout are shown below.



Lead Free Wave Soldering Profile



Note :

1. Soldering Materials: Sn/Cu/Ni
2. Ramp up Rate During Preheat: 1.4 °C/Sec (From 50°C to 100°C)
3. Soaking Temperature: 0.5 °C/Sec (From 100°C to 130°C), 60±20 Seconds
4. Peak Temperature: 260°C, above 250°C 3~6 Seconds
5. Ramp up Rate During Cooling: -10.0°C/Sec (From 260°C to 150°C)

6. Test Set-Up

The basic test set-up to measure parameters such as efficiency and load regulation is shown below. When testing the Cincon's PDF700S series under any transient conditions, please ensure that the transient response of the source is sufficient to power the equipment under test. We can calculate:

- Efficiency
- Load regulation and line regulation.

The value of efficiency is defined as:

$$\eta = \frac{V_o \times I_o}{V_{in} \times I_{in}} \times 100\%$$



PDF700S Series Application Note V12

Where:

- V_o is output voltage,
- I_o is output current,
- V_{in} is input voltage,
- I_{in} is input current.

The value of load regulation is defined as:

$$Load\ reg. = \frac{V_1 - V_2}{V_2} \times 100\%$$

Where:

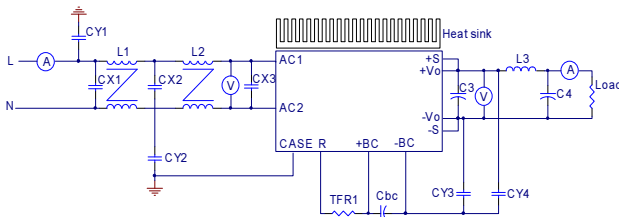
- V_1 is the output voltage at 20% load.
- V_2 is the output voltage at 100% load.

The value of line regulation is defined as:

$$Line\ reg. = \frac{V_{HL} - V_{LL}}{V_{LL}} \times 100\%$$

Where:

- V_{HL} is the output voltage of maximum input voltage at full load.
- V_{LL} is the output voltage of minimum input voltage at full load.



7. Features and Functions

7.1 Over Current Protection

All models have internal over current and continuous short circuit protection. The unit operates normally once the fault condition is removed. At the point of current limit inception, the converter will go into hiccup mode protection.

7.2 Over Voltage Protection

All different voltage models have a fully continuous over voltage protection. The power module will supply OVP. In the event of happen the OVP, the converter will shut down, the converter will go into latch mode protection.

7.3 Over Temperature Protection

These modules have an over temperature protection circuit to safeguard against thermal damage. Shutdown occurs with the maximum case reference temperature is exceeded. The module will restart when the case

temperature falls below over temperature recovery threshold. Please measure case temperature of the center part of aluminum base plate

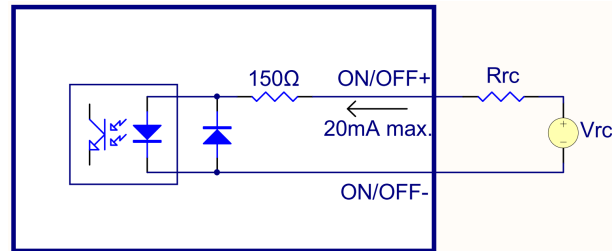
7.4 Remote On/Off

The PDF700S series allows the user to switch the module on and off electronically with the remote On/Off feature. The converter turns off if the current is >10mA (20mA max.) between ON/OFF+ pin and ON/OFF- pin. Setting the pin current <6mA or open circuit will turn the converter on.

If not using the remote ON/OFF pin, leave the pin open (converter will be on). The signal level of the remote ON/OFF+ is defined with respect to ON/OFF-.

ON/OFF Pin Current	Module State
<6mA or Open	Module on
>10mA (20mA max.)	Module off

ON/OFF function Inside connection sees below.



7.5 Output Remote Sensing

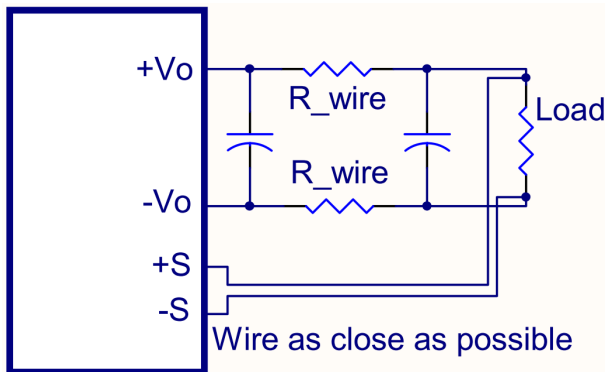
The PDF700S series converter has the capability to remotely sense both lines of its output. This feature moves the effective output voltage regulation point from the output of the unit to the point of connection of the remote sense pins. This feature automatically adjusts the real output voltage of the PDF700S series in order to compensate for voltage drops in distribution and maintain a regulated voltage at the point of load. The remote-sense voltage range is:

$$[(+V_{out}) - (-V_{out})] - [(+Sense) - (-Sense)] \leq 5\% \text{ of } V_{o_nominal}$$

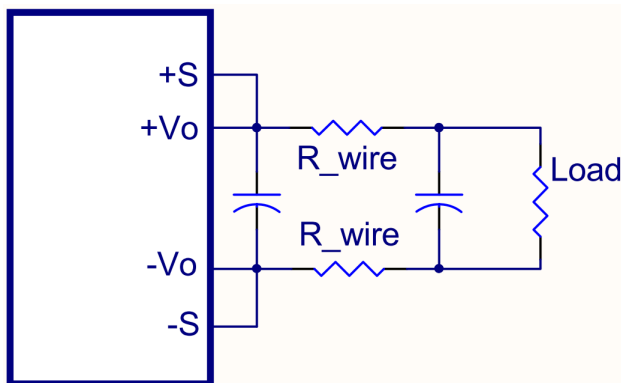
When remote sense is in use, the sense should be connected by twisted-pair wire or shield wire. If the sensing patterns short, heavy current flows and the pattern may be damaged. Output voltage might become unstable because of impedance of wiring and load condition when length of wire is exceeding 400mm. This is shown in the schematic below.



PDF700S Series Application Note V12



If the remote sense feature is not to be used, the sense pins should be connected locally. The +Sense pin should be connected to the +Vout pin at the module and the -Sense pin should be connected to the -Vout pin at the module. Wire between +Sense and +Vout and between -Sense and -Vout as short as possible. Loop wiring should be avoided. The converter might become unstable by noise coming from poor wiring. This is shown in the schematic below.

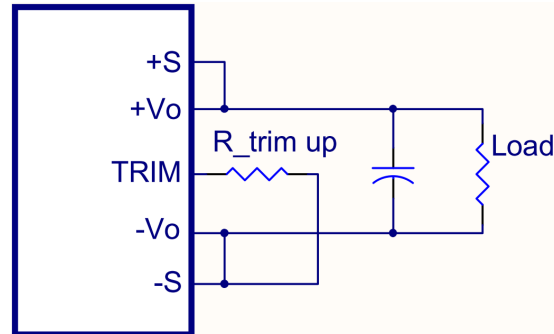


Note: Although the output voltage can be varied (increased or decreased) by both remote sense and trim, the maximum variation for the output voltage is the sum of the values. The output power delivered by the module is defined as the voltage at the output terminals multiplied by the output current. Using remote sense and trim can cause the output voltage to increase and consequently increase the power output of the module if output current remains unchanged. Always ensure that the output power of the module remains at or below the maximum rated power. Also be aware that if $V_{o,set}$ is below nominal value, $P_{out,max}$ will also decrease accordingly because $I_{o,max}$ is an absolute limit. Thus, $P_{out,max} = V_{o,set} \times I_{o,max}$ is also an absolute limit.

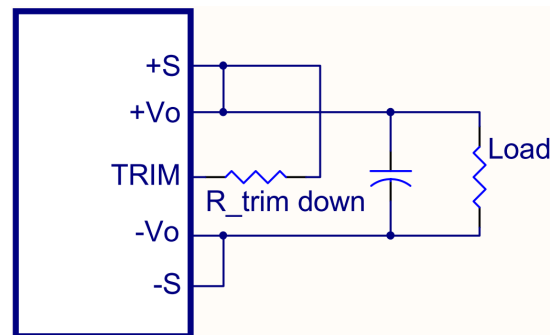
7.6 Output Voltage Adjustment

Output may be externally trimmed (+5% to -5%, (PDF700S560: +1.8%, -5%)) with a fixed resistor. $P_o \leq P_{o,max}$ rated power, $I_o \leq I_{o,max}$. In order to trim the voltage up or down, one needs to connect the trim

resistor either between the trim pin and -Sense for trim-up or between trim pin and +Sense for trim-down. The output voltage trim range is +5% to -5% (PDF700S560: +1.8%, -5%). This is shown:



Trim-up Voltage Setup



Trim-down Voltage Setup

The PDF700S120 value of R_{trim_up} defined as:

$$R_{trim_up} = \left[\frac{4950 \times V_{out} - 62640}{180.025 - 15 \times V_{out}} \right] (k\Omega)$$

The PDF700S240 value of R_{trim_up} defined as:

$$R_{trim_up} = \left[\frac{8378 \times V_{out} - 213200}{344.875 - 14.35 \times V_{out}} \right] (k\Omega)$$

The PDF700S280 value of R_{trim_up} defined as:

$$R_{trim_up} = \left[\frac{9641 \times V_{out} - 285300}{392.025 - 14 \times V_{out}} \right] (k\Omega)$$

The PDF700S480 value of R_{trim_up} defined as:

$$R_{trim_up} = \left[\frac{4092 \times V_{out} - 207200}{327.575 - 6.82 \times V_{out}} \right] (k\Omega)$$

The PDF700S560 value of R_{trim_up} defined as:

$$R_{trim_up} = \left[\frac{10230 \times V_{out} - 585900}{384.225 - 6.82 \times V_{out}} \right] (k\Omega)$$

here:

R_{trim_up} is the external resistor in k Ω .

V_{out} is the desired output voltage.



PDF700S Series Application Note V12

For example, to trim-up the output voltage of 12V module (PDF700S120) by 5% to 12.6V, R_{trim_up} is calculated as follows:

$$V_{out}=12.6V$$

$$R_{trim_up} = \left[\frac{4950 \times 12.6 - 62640}{180.025 - 15 \times 12.6} \right] = 30.1(k\Omega)$$

The typical value of R_{trim_up}

Trim up (%)	12V	24V	28V	48V
	R_{trim_up} (k Ω)			
1%	1491	3408	3248	2884
2%	573.9	1264	1274	1083
3%	271.3	618.4	618.1	509.2
4%	120.4	307.1	290.9	227.3
5%	30.1	123.9	94.7	59.63

For V_o :56V

Trim up (%)	56V
	R_{trim_up} (k Ω)
1%	4815
1.8%	617.9

The PDF700S120 value of R_{trim_down} defined as:

$$R_{trim_down} = \left[\frac{3601}{180.025 - 15 \times V_{out}} \right] - 367.95(k\Omega)$$

The PDF700S240 value of R_{trim_down} defined as:

$$R_{trim_down} = \left[\frac{13380}{344.875 - 14.35 \times V_{out}} \right] - 656.97(k\Omega)$$

The PDF700S280 value of R_{trim_down} defined as:

$$R_{trim_down} = \left[\frac{17130}{392.025 - 14 \times V_{out}} \right] - 771.44(k\Omega)$$

The PDF700S480 value of R_{trim_down} defined as:

$$R_{trim_down} = \left[\frac{12250}{327.575 - 6.82 \times V_{out}} \right] - 670(k\Omega)$$

The PDF700S560 value of R_{trim_down} defined as:

$$R_{trim_down} = \left[\frac{37500}{384.225 - 6.82 \times V_{out}} \right] - 1378(k\Omega)$$

Where:

R_{trim_down} is the external resistor in k Ω .

V_{out} is the desired output voltage.

For example, to trim-down the output voltage of 12V module by 5% to 11.4V, R_{trim_down} is calculated as follows:

$$V_{out}=11.4V$$

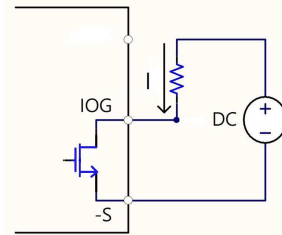
$$R_{trim_down} = \left[\frac{3601}{180.025 - 15 \times 11.4} \right] - 367.95 = 31(k\Omega)$$

The typical value of R_{trim_down}

Trim down (%)	12V	24V	28V	48V	56V
	R_{trim_down} (k Ω)				
1%	1605	2757	3571	2841	4501
2%	625.4	1160	1407	1142	2149
3%	295.8	581.1	682.1	550.6	1103
4%	130.5	281.9	319.3	250.4	510.9
5%	31	99.2	101.4	68.7	130.2

7.7 IOG Signal

Normal and abnormal operation of the converter can be monitored by using the IOG signal. Output of this signal monitor is located at the secondary side and is open collector output, we can use the external DC supply as the following figure. the ground reference is the -Sense.



External DC supply (DC : 50 V_{max}, I : 0.1 A_{max})

This signal is low when the converter is normally operating and high when the converter is disabled or when the converter is abnormally operating.

Also note that IOG becomes unstable for following conditions:

- Operation of over current protection (OCP)
- Light load conditions
- Dynamic load operation

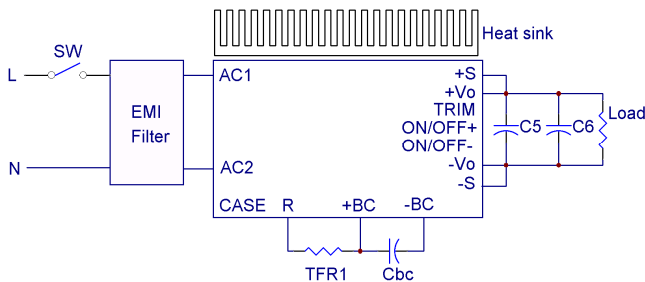


PDF700S Series Application Note V12

8. Input / Output Considerations

8.1 Hold Up Time

The capacitor Cbc is used to hold up time function. When input power supply is interrupt, the PDF700S series use the energy stored in Cbc to support operation. A typical configuration shows as below.



This function provides energy that maintains the DC-DC converter in operation for 10mS and 16mS hold up time. The capacitance (Cbc) in the application is recommended as below (Allowable capacitance range: 660~2200uF).

Hold up time	Capacitance	Cbc
10mS		330uF x 2
16mS		330uF x 3

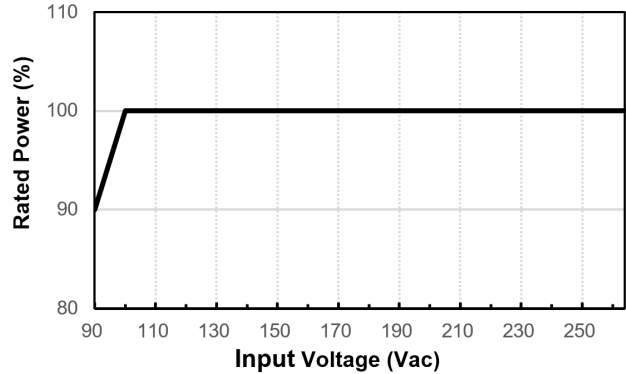
8.2 Inrush Current Limiting Resistor TRF1

TRF1 resistor is used to limit the primary inrush current. The resistor has to connect between R and +BC. If the resistor is not connected, the power supply will not operate. TRF1 is a cement resistor with overheat protection function. It should have greater withstanding capability to Inrush Current. TRF1 is recommended to set from 4.7Ω to 22Ω.

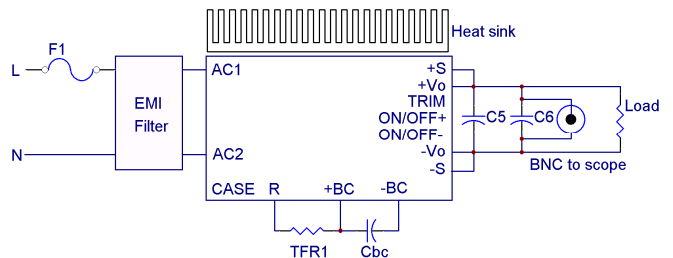
8.3 Input Derating Curve

PDF700S series has derating by input voltage is required shown below.

Typical Derating Curve VS Input Voltage



8.4 Output Ripple and Noise



Output ripple and noise measured with 10uF aluminum capacitor and 1uF ceramic capacitors across output. A 20 MHz bandwidth oscilloscope is normally used for the measurement.

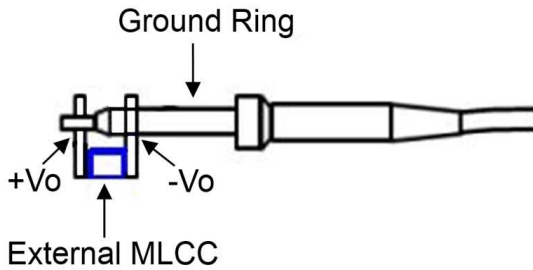
The conventional ground clip on an oscilloscope probe should never be used in this kind of measurement. This clip, when placed in a field of radiated high frequency energy, acts as an antenna or inductive pickup loop, creating an extraneous voltage that is not part of the output noise of the converter.



Another method is shown in below, in case of coaxial-cable/BNC is not available. The noise pickup is eliminated by pressing scope probe ground ring directly against the -Vout terminal while the tip contacts the +Vout terminal. This makes the shortest possible connection across the output terminals.



PDF700S Series Application Note V12

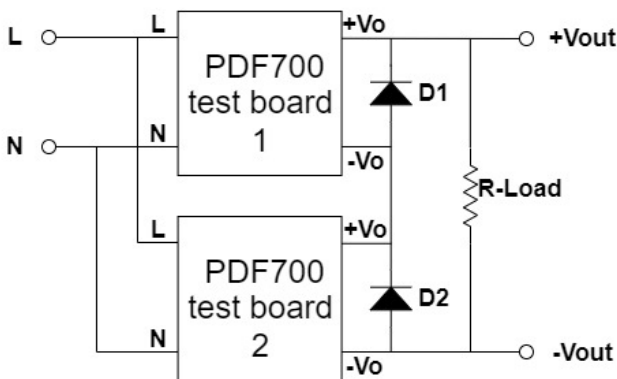


8.5 Output Capacitance

The PDF700S series converters need external capacitors. For good transient response, low ESR output capacitors should be located close to the point of load (<20mm). PCB design emphasizes low resistance and inductance tracks in consideration of high current applications. Output capacitors with their associated ESR values have an impact on loop stability and bandwidth.

8.6 Series Operation

Series operation is possible by connecting the outputs two or more units. Connection is shown in below. The output current in series connection should be lower than the lowest rate current in each power module.

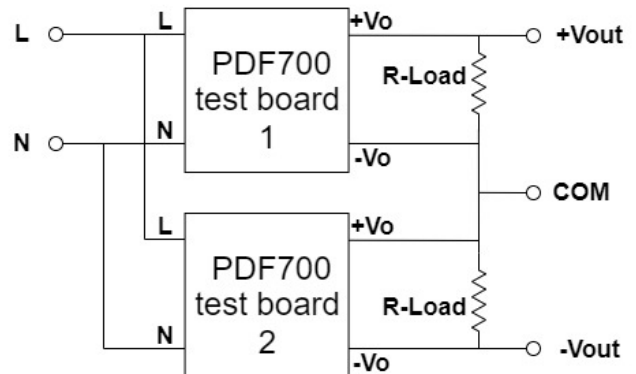


Simple Series Operation Connect Circuit

Note:

1. L/N : input voltage 90~264V_{ac}.
2. The PDF700 test board contains PDF700 module and external components. The external components are presented in section 8.7.
3. Recommend Schottky diode (D1, D2) be connected across the output of each series connected converter, and the external diode should be capable of handling the full load current for as long as the application is expected to run with any unit shut down.

Series for \pm output operation is possible by connecting the outputs two units, as shown in the schematic below.



Simple \pm Output Operation Connect Circuit

Note:

1. L/N : input voltage 90~264V_{ac}.
2. The PDF700 test board contains PDF700 module and external components. The external components are presented in section 8.7.

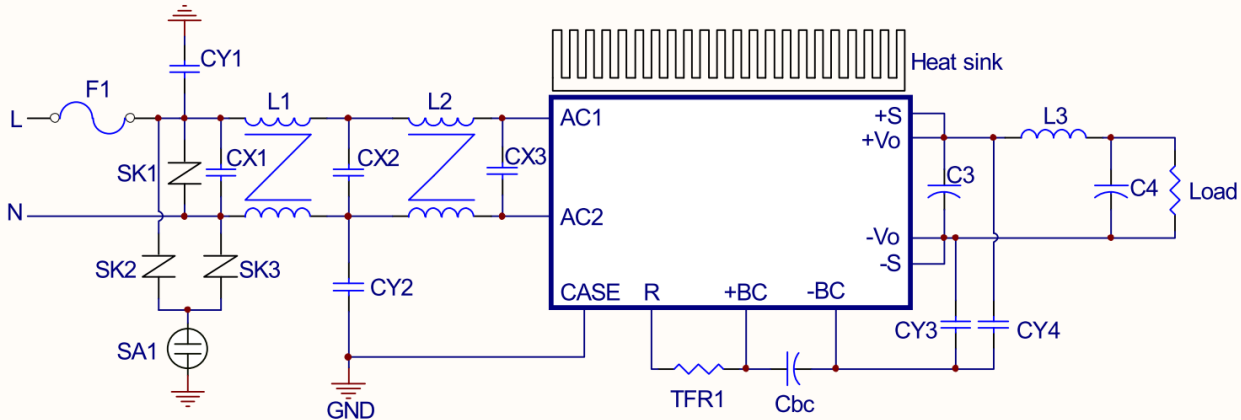


PDF700S Series Application Note V12

8.7 Input EMI filter at the Power Module

The converters must be connected to low AC source impedance. The EMI filter should be placed close to the converter AC input pins. However, the external input capacitors are chosen for suitable ripple handling capability. Circuit as shown as below represents typical measurement methods for input current. The input current is measured by current probe to oscilloscope.

To use PDF700 series, connection shown below and external components are required to meet EN55032 Class A.



EN55032 Class A					
Model Number					
	PDF700S120	PDF700S240	PDF700S280	PDF700S480	PDF700S560
F1	15A 250V	15A 250V	15A 250V	15A 250V	15A 250V
SK1 SK2 SK3	φ10 470V	φ10 470V	φ10 470V	φ10 470V	φ10 470V
SA1	2500V	2500V	2500V	2500V	2500V
CX1 CX2 CX3	2.2uF/275V	2.2uF/275V	2.2uF/275V	2.2uF/275V	2.2uF/275V
C3	1200uF/16V×7 parallel	1000uF/35V×7 parallel	1000uF/35V×3 parallel	470uF/63V× 5 parallel	470uF/63V× 5 parallel
C4	330uF/16V	1000uF/35V	1000uF/35V	470uF/63V	470uF/63V
Cbc	330uF/450V×3 parallel	330uF/450V×3 parallel	330uF/450V×3 parallel	330uF/450V×3 parallel	330uF/450V×3 parallel
CY1	2200pF/400VAC	2200pF/400VAC	2200pF/400VAC	2200pF/400VAC	2200pF/400VAC
CY2	2200pF/400VAC	2200pF/400VAC	2200pF/400VAC	2200pF/400VAC	2200pF/400VAC
CY3 CY4	1000pF/400VAC	1000pF/400VAC	1000pF/400VAC	1000pF/400VAC	1000pF/400VAC
TFR1	10R	10R	10R	10R	10R
L1	30mH	30mH	30mH	30mH	30mH
L2	2.8mH	2.8mH	2.8mH	2.8mH	2.8mH
L3	0.06uH MIN	Short	Short	Short	Short
CY1 (GND) CY2 CY3 (-BC) CY4 (-BC)	BEAD CORE	BEAD CORE	BEAD CORE	BEAD CORE	BEAD CORE



PDF700S Series Application Note V12

Note :

CX1~CX3 : X2 capacitors

C3: aluminum polymer capacitors

Cbc, C4 : aluminum capacitors

CY1~CY4 : Y1 ceramic capacitors

F1 :

Fuse 15A/250V

SK1, SK2, SK3 :

VARISTOR/470V (TKS TVR10471KSV) or equivalent.

SA1 : SURGE ARRESTERS/2500V/5A (EF2500X8S EPCOS) or equivalent.

CX1, CX2, CX3 :

2.2uF/275V (CARLI MPX series) or equivalent.

C3 :

1200uF/16V (GEMCON GPH series) or equivalent.

1000uF/35V (AISHI PV series) or equivalent.

1000uF/35V (AISHI PV series) or equivalent.

470uF/63V (AISHI PV series) or equivalent.

C4 :

3300uF/16V (NCC KZH series) or equivalent.

1000uF/35V (NCC KY series) or equivalent.

470uF/63V (RUBYCON ZLH series) or equivalent.

Cbc :

330uF/450V (NCC KMR series) or equivalent.

L1 :

COMMON CHOKE T25*16*8C/NANOCRYSTAL/ φ 1.0mm/26T

L2 :

COMMON CHOKE T25*15*10C/R7K/ φ 1.0mm/20T

L3 :

INDUCTOR DIP R6*20/ φ 2.5mm/0.06uH MIN.

TFR1 :

CEMENT RESISTOR 10R (A5MC-100JK L3.5 A & A) or equivalent (Life time of TFR1 is affected by watt of TFR1 and capacitance value of Cbc).

CY1 : 220pF/400VAC (TDK CD series) or equivalent.

CY2 : 2200pF/400VAC (TDK CD series) or equivalent.

CY3, CY4 :

1000pF/400VAC (TDK CD series) or equivalent.

CY2、CY3 (-BC)、CY4 (-BC) :

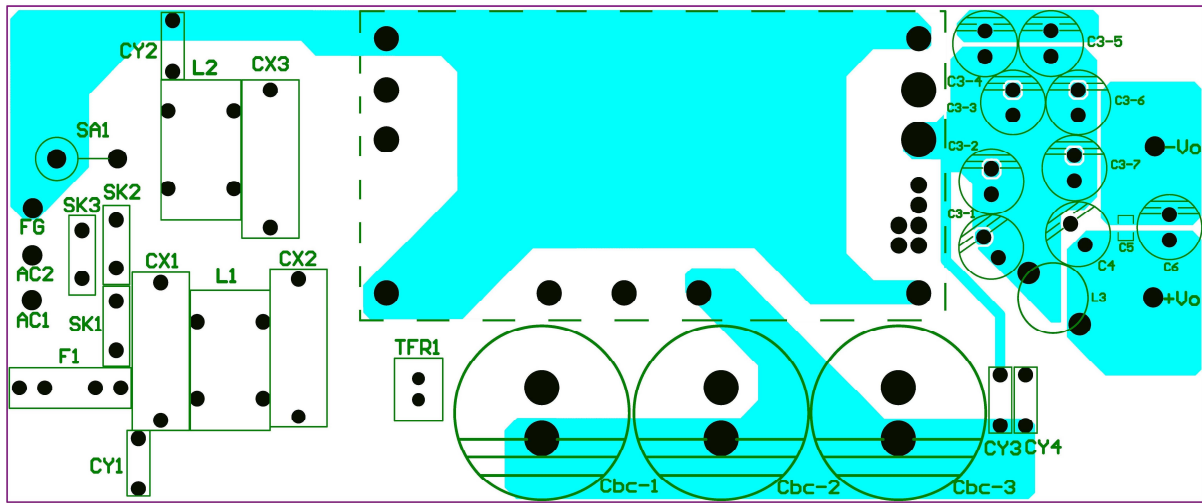
BEAD CORE BRH3.5*3.2*1.2mm CHILISIN

CY1 (GND) :

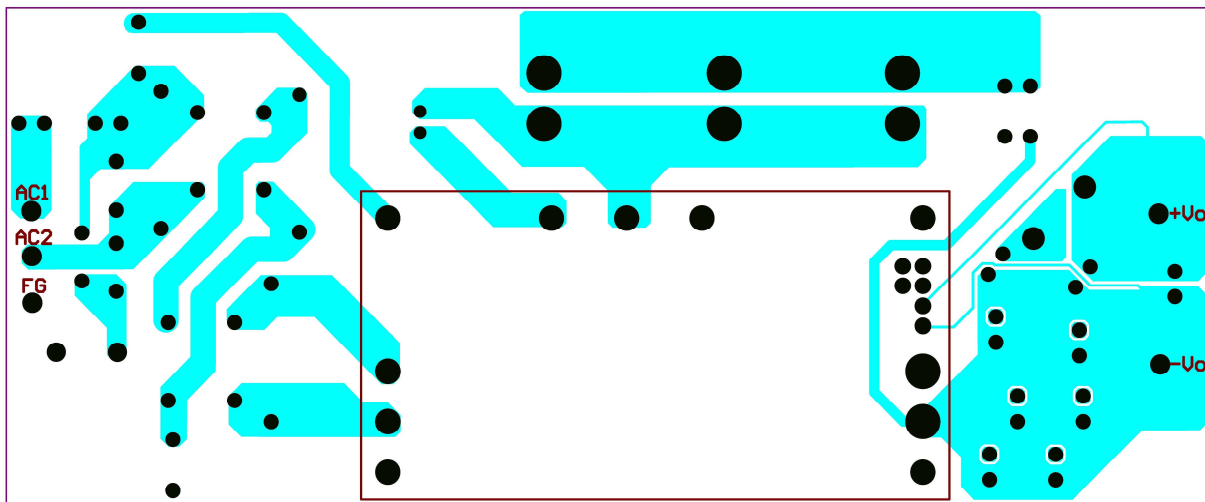
BEAD CORE/N4L T 3.0*1.2*1.62 ATC



PDF700S Series Application Note V12



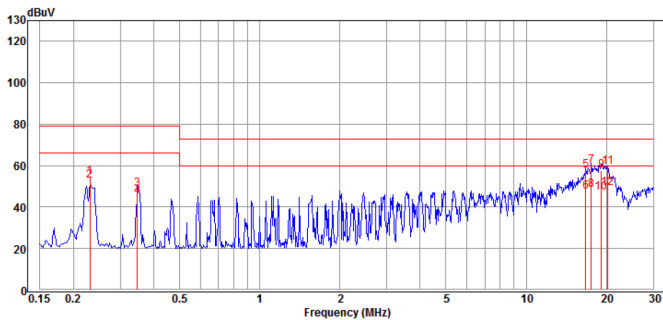
EMI test board top side



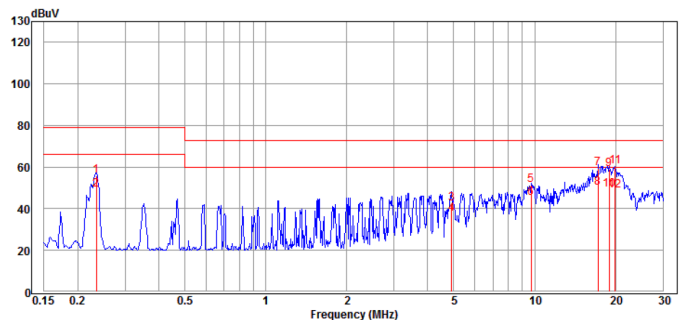
EMI test board bottom side

Note :

1. AC1/AC2/R+/BC/-BC/OFF/ON/+S/-S/IOG/TRIM : 1.4mm plated through hole and 2.8mm pad size
2. +Vo/-Vo : 2.4mm plated through hole and 4.8mm pad size
3. Mounting insert hole (FG) in the four corners : 3.5mm plated through hole and 6mm pad size
4. C5, C6 : External capacitor 10 and 0.1uF for ripple and noise on the output side



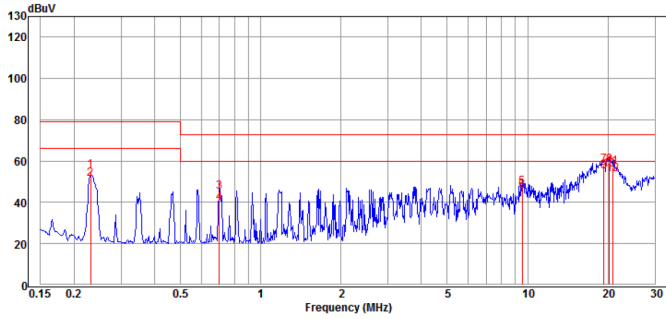
Conducted Class A of PDF700S120 Line



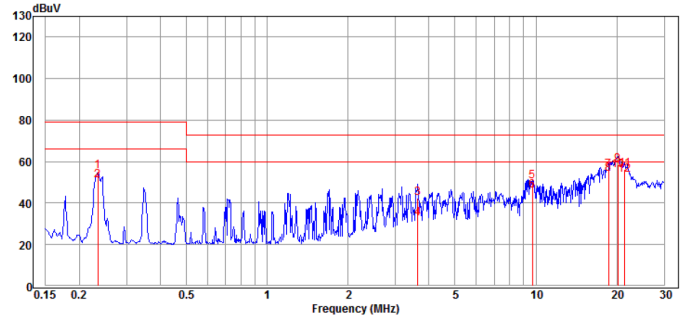
Conducted Class A of PDF700S120 Nature



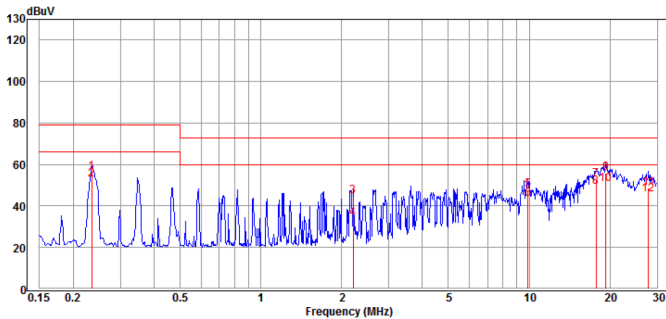
PDF700S Series Application Note V12



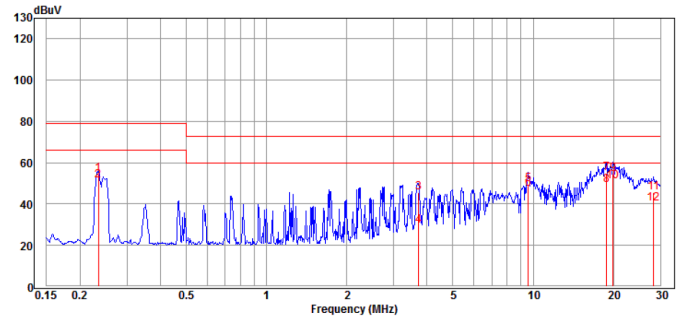
Conducted Class A of PDF700S240 Line



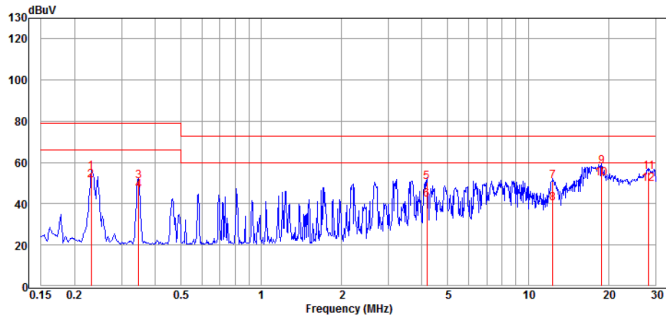
Conducted Class A of PDF700S240 Nature



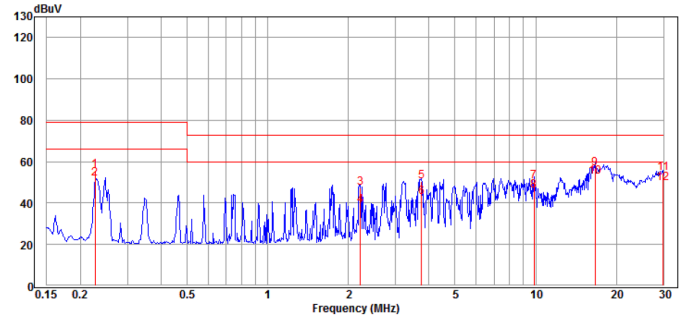
Conducted Class A of PDF700S280 Line



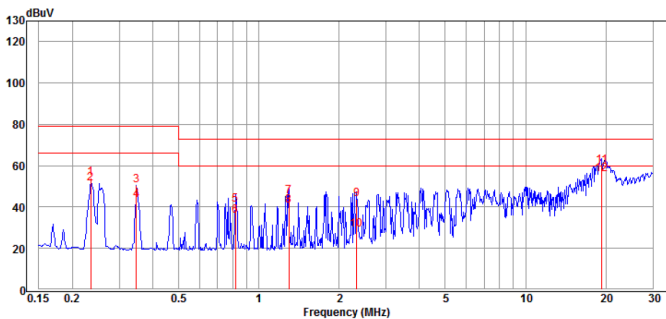
Conducted Class A of PDF700S280 Nature



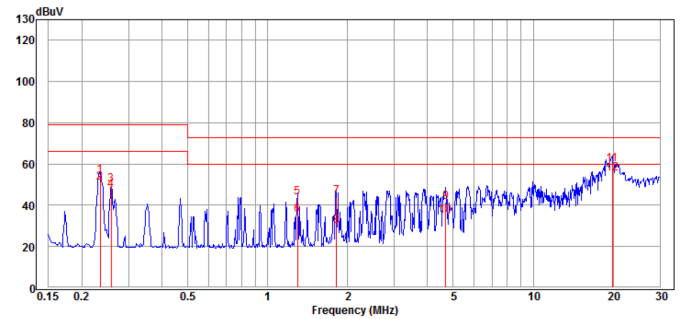
Conducted Class A of PDF700S480 Line



Conducted Class A of PDF700S480 Nature



Conducted Class A of PDF700S560 Line



Conducted Class A of PDF700S560 Nature



PDF700S Series Application Note V12

9. Thermal Design

9.1 Operating Temperature Range

The highly efficient design of Cincon's PDF700S series power modules has resulted in their ability to operate within case operating temperature range from -40°C to 100°C . Due consideration must be given to the de-rating curves when ascertaining the maximum power that can be drawn from the module. The maximum power which can be drawn is influenced by a number of factors, such as:

- Input voltage range
- Permissible Output load (per derating curve)
- Forced air or natural convection
- Heat sink (optional)

9.2 Convection Requirements for Cooling

To predict the approximate cooling needed for the full brick module, refer to the power derating curves in **section 8.3**. These derating curves are approximations of the ambient temperatures and airflows required to keep the power module temperature below its maximum rating. Once the module is assembled in the actual system, the module's temperature should be monitored to ensure it does not exceed 100°C as measured at the center of aluminum base plate.

9.3 Thermal Considerations

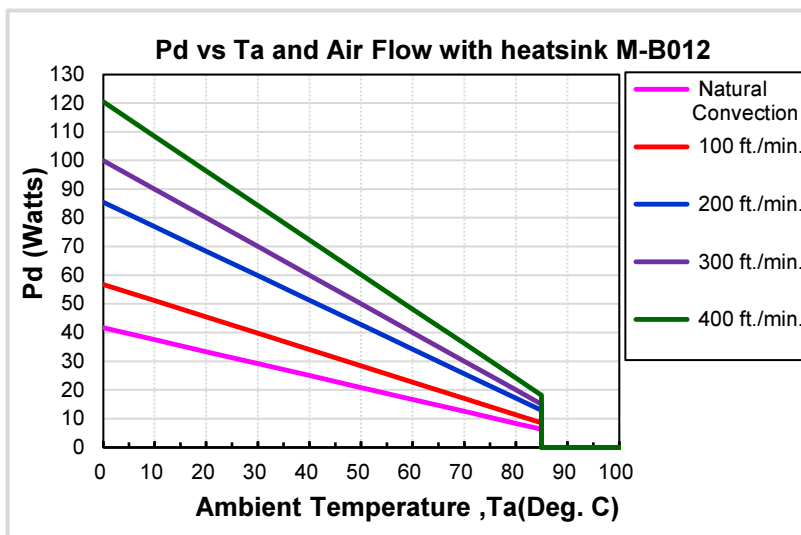
The power module operates in a variety of thermal environments; however, sufficient cooling should be provided to help ensure reliable operation of the unit. Heat is removed by conduction, convection, and radiation to the surrounding environment. The example is presented in **section 8.3**. The power output of the module should not be allowed to exceed rated power ($V_{o_set} \times I_{o_max}$).

9.4 Power Derating

The operating case temperature range of PDF700S series is -40°C to $+100^{\circ}\text{C}$. When operating the PDF700S series, proper derating or cooling is needed. The maximum case temperature under any operating condition should not exceed 100°C . The following curve is the derating curve of PDF700S series with heatsink.

Note1: Pd is calculated after 1 minute of burn-in

Note2: Maximum ambient temperature is limited at 85°C to be considered the life time of the electrolytic capacitor.



AIR FLOW RATE	TYPICAL R_{ca}
Natural Convection	$2.4^{\circ}\text{C}/\text{W}$
100 ft./min. (0.5m/s)	$1.76^{\circ}\text{C}/\text{W}$
200 ft./min. (1.0m/s)	$1.17^{\circ}\text{C}/\text{W}$
300 ft./min. (1.5m/s)	$1.00^{\circ}\text{C}/\text{W}$
400 ft./min. (2.0m/s)	$0.83^{\circ}\text{C}/\text{W}$



PDF700S Series Application Note V12

Example with heat sink:

What is the minimum airflow necessary for a PDF700S120 operating at 230VAC, an output current of 30A, and a maximum ambient temperature of 40°C with heatsink?

Solution:

Given: $V_{in}=230\text{VAC}$, $V_o=12\text{V}_{dc}$, $I_o=30\text{A}$

Determine Power dissipation (P_d): $P_d= P_i-P_o= P_o(1-\eta)/\eta$, $P_d= 12\text{V}\times 30\text{A}\times(1-0.875)/0.875=51.4\text{Watts}$

Determine airflow: Given: $P_d= 51.4\text{W}$ and $T_a = 40^\circ\text{C}$

Check above Power de-rating curve: Minimum airflow= 300 ft./min.

Verify: Maximum temperature rise is $\Delta T= P_d \times R_{ca}= 51.4\times 1=51.4^\circ\text{C}$

Maximum case temperature is $T_c= T_a +\Delta T= 40+51.4=91.4^\circ\text{C} < 100^\circ\text{C}$

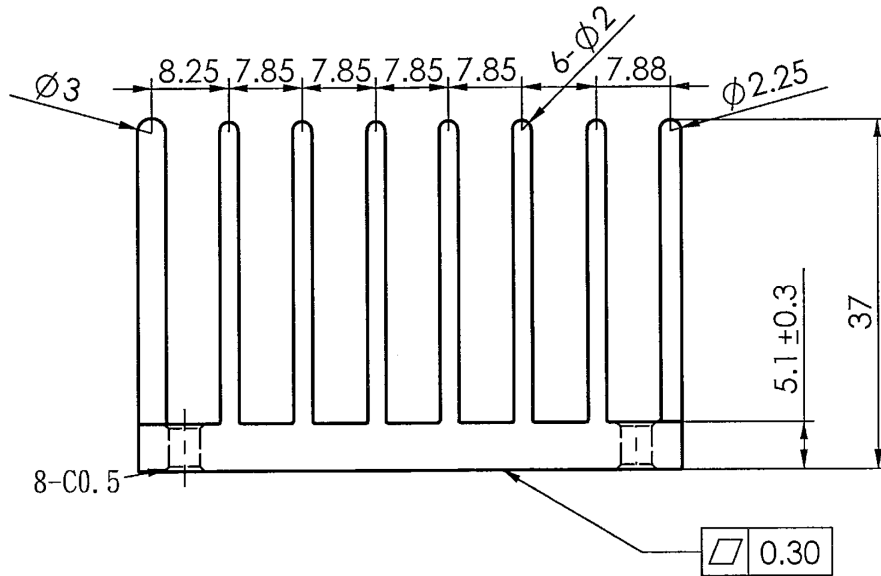
Where: The R_{ca} is thermal resistance from case to ambient environment.

T_a is ambient temperature and T_c is case temperature.

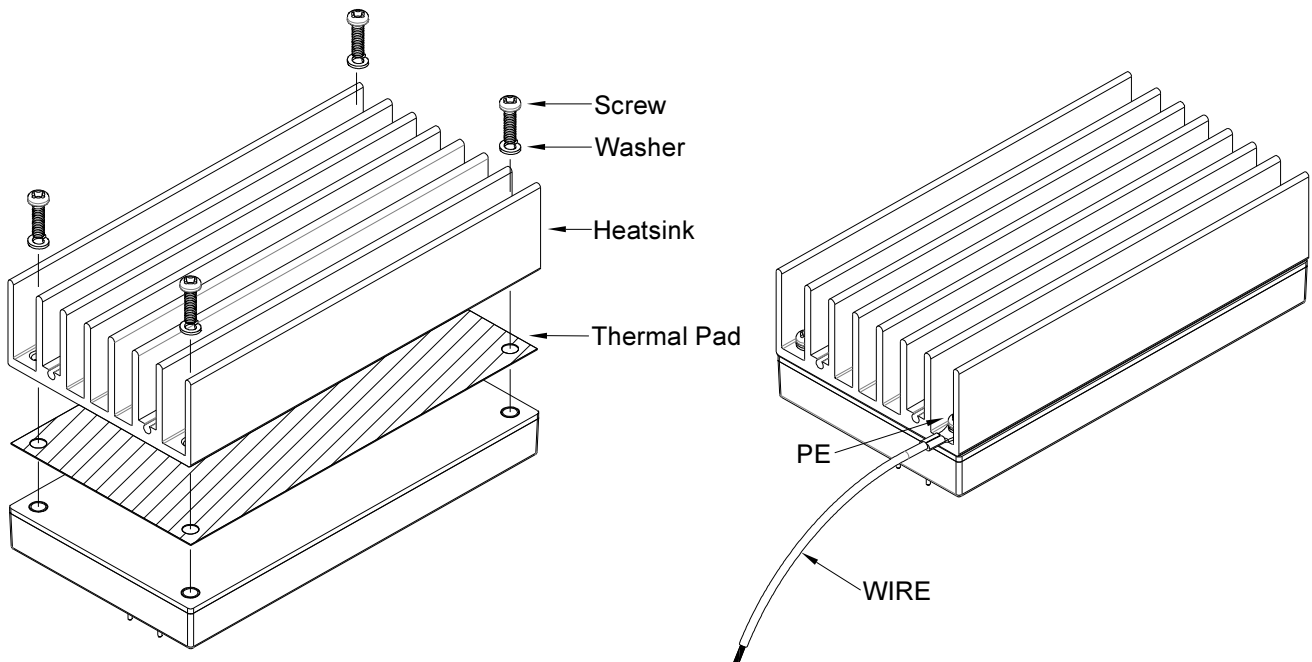


PDF700S Series Application Note V12

9.5 Full Brick Heat Sink



All Dimensions in mm
 Heat Sink G6620710201 60.7*58*37mm
 Rca: 2.40°C/W (typ.), At natural convection
 1.76°C/W (typ.), At 100LFM
 1.17°C/W (typ.), At 200LFM
 1.00°C/W (typ.), At 300LFM
 0.83°C/W (typ.), At 400LFM



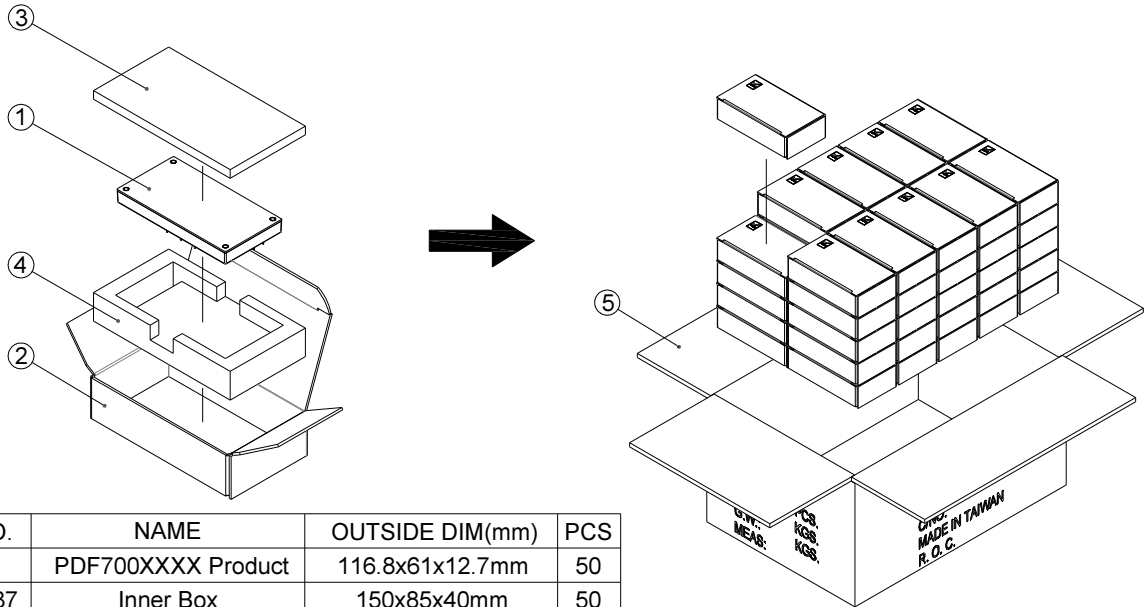
Heat Sink: 60.7*58*37mm (G6620710201)
 Thermal Glue: Thermal Conductivity 3.5W/(m*K)
 Screw: K310W SMP+WS M3*0.5 10mm (G75A1300332)



PDF700S Series Application Note V12

10. Packing Information

The packing information for PDF700 series is showing as follows:



ITEM	PART NO.	NAME	OUTSIDE DIM(mm)	PCS
1		PDF700XXXX Product	116.8x61x12.7mm	50
2	G64205237	Inner Box	150x85x40mm	50
3	G64301061	Antistatic Foam	147x81x8mm	50
4	G64301064	Antistatic Foam	147x81x26.6mm	50
5	G64112340	No.67 Cardboard Box	454.5x318.2x230.3mm	1

Each Box Packaging 50 PCS Products

Gross weight Ref. 14 Kg

PDF700 50 PCS a box, including the total weight of package material about 14Kg

CINCON ELECTRONICS CO., LTD.

Headquarters:

14F, No.306, Sec.4, Hsin Yi Rd.
Taipei, Taiwan
Tel: 886-2-27086210
Fax: 886-2-27029852
E-mail: support@cincon.com.tw
Web Site: <http://www.cincon.com>

Factory:

No. 8-1, Fu Kung Rd.
Fu Hsing Industrial Park
Fu Hsing Hsiang,
ChangHua Hsien, Taiwan
Tel: 886-4-7690261
Fax: 886-4-7698031

Cincon North America:

1655Mesa Verde Ave. Ste 180
Ventura, CA93003
Tel: 805-639-3350
Fax: 805-639-4101
E-mail: info@cincon.com

X-ON Electronics

Largest Supplier of Electrical and Electronic Components

Click to view similar products for [Switching Power Supplies](#) category:

Click to view products by [Cincon](#) manufacturer:

Other Similar products are found below :

[70841011](#) [73-551-0005](#) [73-551-0048](#) [PS3E-B12F](#) [PS3E-E12F](#) [AAD600S-4-OP](#) [R22095](#) [KD0204](#) [9021](#) [LDIN100150](#) [LPM000-BBAR-01](#)
[LPX17S-C](#) [EVS57-10R6/R](#) [FP80](#) [FRV7000G](#) [22929](#) [PS3E-F12F](#) [CQM1IA121](#) [40370121900](#) [VI-PU22-EXX](#) [40370121910](#) [LDIN5075](#)
[LPM615-CHAS](#) [LPX140-C](#) [09-160CFG](#) [70841025](#) [VPX3000-CBL-DC](#) [LPM000-BBAR-05](#) [LPM000-BBAR-08](#) [LPM124-OUTA1-48](#)
[LPM000-BBAR-07](#) [LPM109-OUTA1-10](#) [LPM616-CHAS](#) [08-30466-1055G](#) [08-30466-2175G](#) [08-30466-2125G](#) [DMB-EWG](#) [TVQF-1219-](#)
[18S](#) [6504-226-2101](#) [CQM1IPS01](#) [SP-300-5](#) [CQM1-IPS02](#) [VI-MUL-ES](#) [22829](#) [08-30466-0065G](#) [VI-RU031-EWWX](#) [08-30466-0028G](#) [VI-](#)
[LUL-EU](#) [EP3000AC48INZ](#) [VP-C2104853](#)