



# TRE15R SERIES

## 15W SWITCHING ADAPTER

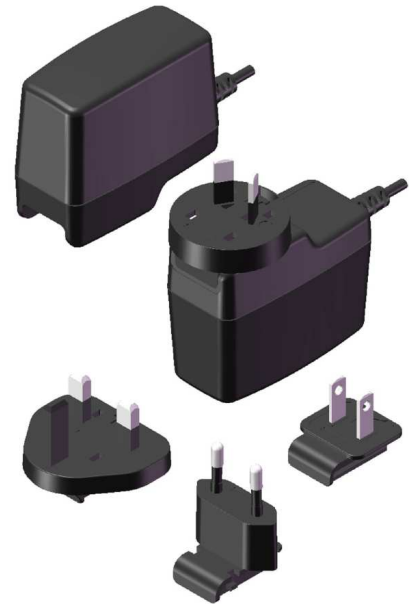


### Features

- \* Universal Input Range 90~264Vac
- \* Meets EN55032 Class B and CISPR/FCC Class B
- \* Continuous Short Circuit Protection
- \* Over Voltage Protection
- \* Meet CoC Tier 2 & DoE Level VI  
(Output Cable Length  $\leq$  1800mm)
- \* No Load Power Consumption < 75mW

### Ordering information

TRE15RXX - XX	G	XX
Model No.	DC Plug Type	DC Cable Length and Type
	UL1571 WITH OVP	01: 720mm
		02: 1220mm
		03: 1800mm
		11: 720mm with Ferrite Core
		12: 1220mm with Ferrite Core
		13: 1800mm with Ferrite Core
		* 20AWG for 5V, UL1571 or Equivalent
		* 18AWG for 9V, UL1571 or Equivalent
		* 24AWG for 12V, 15V, 24V, UL1571 or Equivalent



MODEL	OUTPUT VOLTAGE	OUTPUT CURRENT	RIPPLE & NOISE NOTE 1	VOLTAGE ACCURACY NOTE 2	LINE REGULATION NOTE 3	LOAD REGULATION NOTE 4	AVERAGE EFFICIENCY min. NOTE 5
TRE15R050	5 V	2.0 A	50mVp-p	$\pm 2\%$	$\pm 1\%$	$\pm 4\%$	79.0%
TRE15R090	9 V	1.4 A	90mVp-p	$\pm 2\%$	$\pm 1\%$	$\pm 2\%$	83.5%
TRE15R120	12 V	1.0 A	100mVp-p	$\pm 2\%$	$\pm 1\%$	$\pm 2\%$	83.3%
TRE15R150	15 V	1.0 A	100mVp-p	$\pm 2\%$	$\pm 1\%$	$\pm 2\%$	84.5%
TRE15R240	24 V	0.63 A	100mVp-p	$\pm 2\%$	$\pm 1\%$	$\pm 2\%$	84.5%

**Specifications**

**INPUT SPECIFICATIONS:**

Voltage ..... 90~264Vac  
 Frequency ..... 47 to 63Hz  
 Input Current ..... 0.5A max.  
 Inrush Current ..... Cold Start @25°C 50A max. @ 240Vac  
 Leakage Current ..... 0.25mA max.

**OUTPUT SPECIFICATIONS:**

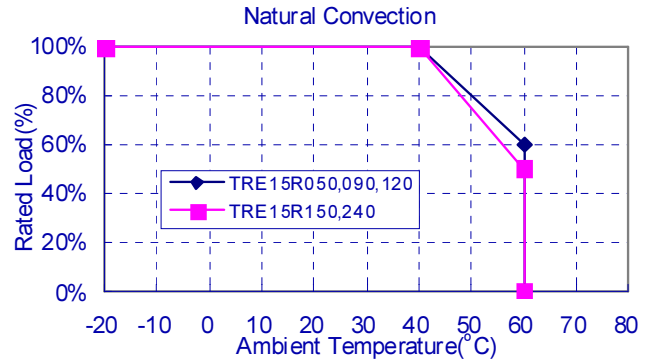
Hold-up Time ..... 10ms typ. @115Vac  
 Short Circuit Protection ..... Continuous(Auto Recovery)  
  
 Over Voltage Protection ..... IC Component to Clamp

Temperature Coefficient ..... ±0.05%/°C

**GENERAL SPECIFICATIONS:**

Isolation ..... Input to output = 3,000VAC.  
 Operating Temperature ..... -20~ 60°C (see derating curve)  
 Storage Temperature ..... -20~85°C  
 Humidity ..... 93% RH max. Non condensing  
 Cooling ..... Natural Convection  
 Switching Frequency ..... Full Load ..... 115V/ 5KHz typ.  
 230V/65KHz typ.  
 MTBF ..... MIL-HDBK-217F, GB, at 25°C/115VAC ..... 330Khrs min.  
 Altitude ..... 5000m  
 Dimensions ..... 2.795x2.220x1.299 inches (71.00x56.4x33.00mm)  
 Weight ..... 100g(0.22 Pounds)

**TRE15R Series Derating Curve**



**SAFETY AND EMC:**

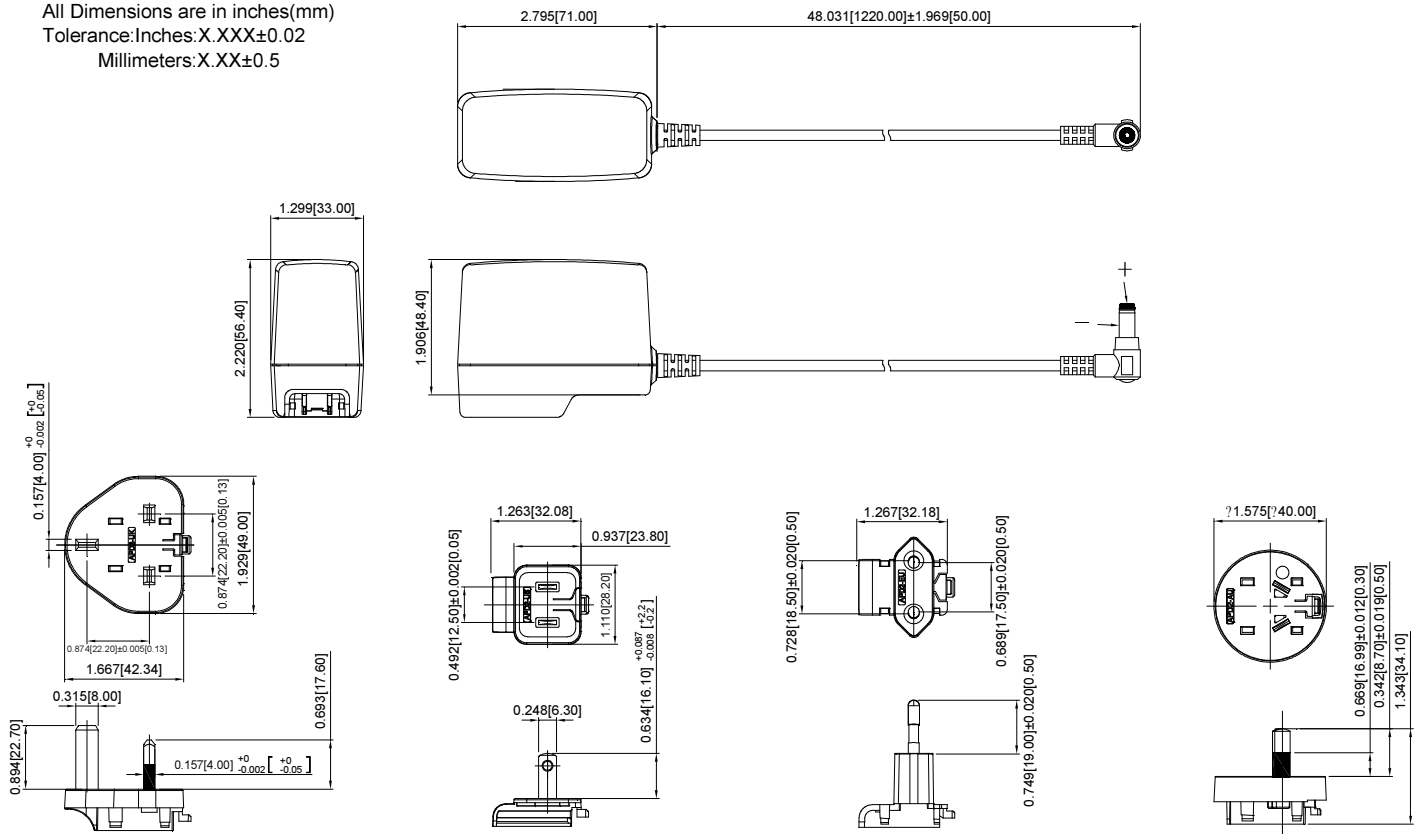
Emission and Immunity ..... EN55032 Class B, FCC Part 15 Class B  
 EN61000-6-3, EN61000-3-2, EN61000-3-3  
 EN55024, EN61204-3, EN61000-6-1  
 Safety ..... Class II, IEC60950-1, EN60950-1, UL60950-1

**NOTE:**

1. Add a 0.1uF ceramic capacitor and a 10uF E.L. capacitor to output for ripple & noise measuring @20MHz BW.
2. Voltage setpoint at 60% full load.
3. Line regulation measured from 100Vac to 240Vac full load.
4. Load regulation measured from 60% to full load and from 60% to 20% load (60% +/- 40% load).
5. Average Efficiency measured at 25%,50%,75%,100% load and input voltage is 115Vac/230Vac.

**Mechanical Specification**

All Dimensions are in inches(mm)  
 Tolerance: Inches:X.XXX±0.02  
 Millimeters:X.XX±0.5



Typical at 25°C, nominal line and 75% load, unless otherwise Specified

## X-ON Electronics

Largest Supplier of Electrical and Electronic Components

*Click to view similar products for [Wall Mount AC Adapters](#) category:*

*Click to view products by [Cincon](#) manufacturer:*

Other Similar products are found below :

[76000738](#) [76000756-B10](#) [ADP-163 E](#) [ADP-159 A](#) [PSAC05A-050L6](#) [RLMDT361800](#) [TE30A1803F01](#) [0650-00005](#) [P25A14E-R1C](#) [SWI24-12-N-P6R](#) [SWI24-24-N-ST](#) [TRH25033-A-02E01-Level-VI](#) [DA5-050US-B](#) [DA5-050UK-B](#) [RLMDT701800](#) [76000756](#) [DA5-050EU-B](#) [WSU120-2000-R13](#) [5V1A-USB](#) [AC-DC ADAPTER 160W](#) [WSU120-2000-13](#) [WSU150-0800-13](#) [76000980](#) [WSU075-3200-13](#) [WSU090-2500-13](#) [WSU050-2000-R13](#) [WSU240-1000-13](#) [WSU090-3500-R13](#) [WSU075-1500-13](#) [WSU050-3000-13](#) [WSU135-1330-13](#) [WSU045-1500-13](#) [WSU090-2500-R13](#) [WSU240-1500-13](#) [WSU180-0660-13](#) [WSU075-1500-R13](#) [WSU090-1300-13](#) [WSU180-1330-R13](#) [NTPS-24-TT-700](#) [BB-SMI1812VP230C1](#) [WSU150-1600-13](#) [WSU050-1500-13](#) [WSU090-0800-13](#) [WSU180-0450-13](#) [WSU150-0560-R13](#) [WSU135-0880-13](#) [WSU120-3000-13](#) [WSU120-1000-R13](#) [WSU090-1300-R13](#) [WSU060-4000-13](#)