



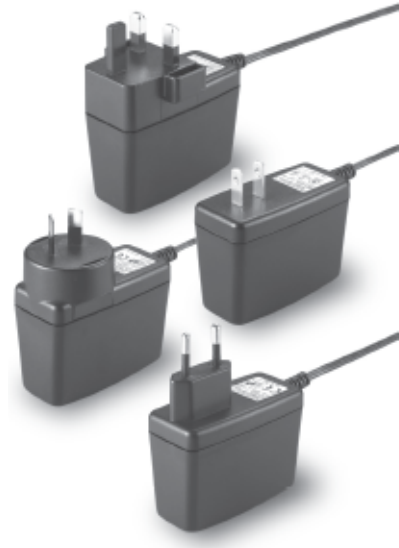
# TRH25 SERIES

## 25W SWITCHING ADAPTER



### Features

- \* Miniature Size
- \* Universal Input: 90~264Vac
- \* EMI Meets EN55022 Class B and CISPR/FCC Class B
- \* Continuous Short Circuit Protection
- \* Over Voltage Protection
- \* Meet CoC V5 Tier 2 & DoE Level VI  
(Output Cable Length  $\leq$  1800mm)  
(TRH25033: Output Cable Length  $\leq$  720mm)  
(TRH25050: Output Cable Length  $\leq$  1220mm)
- \* No Load Power Consumption < 75mW



### Ordering information

| TRH25     | XXX                | - | X            | XX          | X | XX                                |
|-----------|--------------------|---|--------------|-------------|---|-----------------------------------|
| Model No. | AC Plug Type       |   | DC Plug Type | OVP         |   | DC Cable Length and Type          |
|           | A: USA 2 Pin       |   |              | E: With OVP |   | 01: 720mm                         |
|           | E: Europe 2 Pin    |   |              |             |   | 02: 1220mm                        |
|           | U: British 3 Pin   |   |              |             |   | 03: 1800mm                        |
|           | S: Australia 2 Pin |   |              |             |   | 11: 720mm with Ferrite Core       |
|           |                    |   |              |             |   | 12: 1220mm with Ferrite Core      |
|           |                    |   |              |             |   | 13: 1800mm with Ferrite Core      |
|           |                    |   |              |             |   | * 16AWG / UL1185 for Vo: 5V, 3.3V |
|           |                    |   |              |             |   | * 18AWG / UL1185 for Vo: 12V      |
|           |                    |   |              |             |   | * 20AWG / UL1185 for Vo: 15V      |
|           |                    |   |              |             |   | * 22AWG / UL1185 for Vo: 18V      |
|           |                    |   |              |             |   | * 24AWG / UL1185 for 24V          |

| XMODEL   | OUTPUT VOLTAGE | OUTPUT CURRENT | RIPPLE & NOISE<br>NOTE 1 | VOLTAGE ACCURACY<br>NOTE 2 | LINE REGULATION<br>NOTE 3 | LOAD REGULATION<br>NOTE 4 | AVG. EFF. |
|----------|----------------|----------------|--------------------------|----------------------------|---------------------------|---------------------------|-----------|
| TRH25033 | 3.3V           | 4.0A           | 50mVp-p                  | $\pm 2\%$                  | $\pm 1\%$                 | $\pm 6\%$                 | 80.97%    |
| TRH25050 | 5V             | 4.0A           | 1%                       | $\pm 2\%$                  | $\pm 1\%$                 | $\pm 6\%$                 | 83.69%    |
| TRH25120 | 12V            | 2.1A           | 1%                       | $\pm 2\%$                  | $\pm 1\%$                 | $\pm 5\%$                 | 87.02%    |
| TRH25150 | 15V            | 1.67A          | 1%                       | $\pm 2\%$                  | $\pm 1\%$                 | $\pm 3\%$                 | 86.99%    |
| TRH25180 | 18V            | 1.4A           | 1%                       | $\pm 2\%$                  | $\pm 1\%$                 | $\pm 2\%$                 | 87.02%    |
| TRH25240 | 24V            | 1.05A          | 1%                       | $\pm 2\%$                  | $\pm 1\%$                 | $\pm 2\%$                 | 87.02%    |

Specifications are subject to change without notice.

## Specifications

### INPUT SPECIFICATIONS:

Voltage ..... 90~264Vac  
 Frequency ..... 47 to 63Hz  
 Inrush Current ..... 0.7A max.  
 Inrush Current ..... 60A max. @240Vac  
 Conducted EMI ..... CISPR/FCC Class B  
 Leakage Current ..... 0.25mA max.

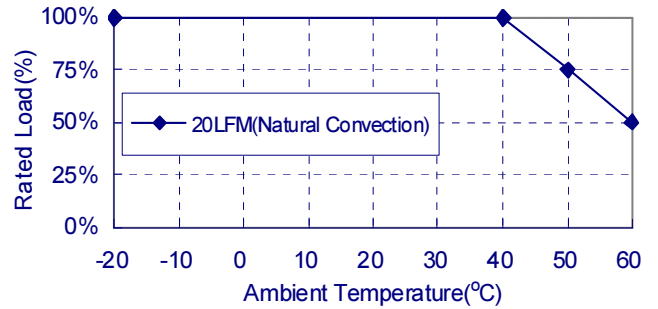
### OUTPUT SPECIFICATIONS:

Holdup Time ..... 10ms typ. @115Vac  
 Short Circuit Protection ..... Continuous(Auto Recovery)  
 Over Voltage Protection ..... TVS Component to Clamp  
 Temperature Coefficient .....  $\pm 0.05\%/^{\circ}\text{C}$

### GENERAL SPECIFICATIONS:

Isolation ..... Input to output = 4,242VDC  
 Operating Temperature ..... -20~60°C (see derating curve)  
 Storage Temperature ..... -20~85°C  
 Humidity ..... 93% RH max. Non condensing  
 Cooling ..... Natural Convection  
 Switching Frequency ..... 67KHz typ.  
 MTBF ..... MIL-HDBK-217F, GB, 25°C/115VAC ..... 425Khrs min.  
 Altitude ..... 2000m  
 Dimensions ..... 2.835x2.047x1.378Inches (72.00x52.00x35.00mm)  
 Weight ..... 140g(0.31 Pounds)

## TRH25 Series Derating Curve



### SAFETY AND EMC:

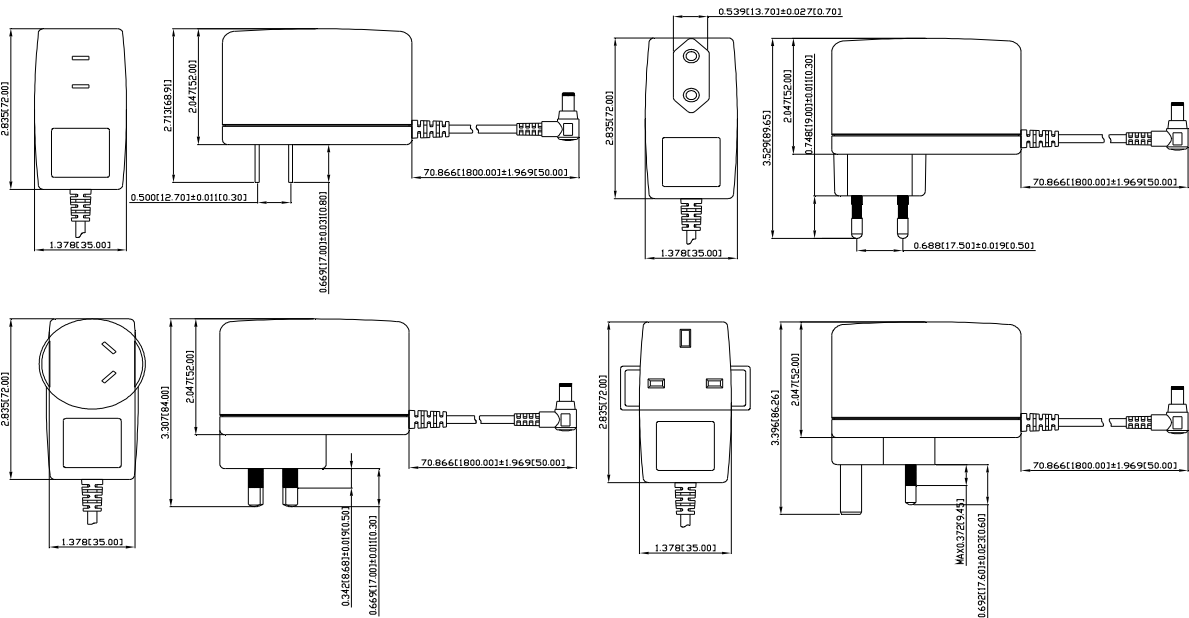
Emission and Immunity ..... EN55022 Class B, FCC Part 15 Class B  
 EN61000-6-3, EN61000-3-2, EN61000-3-3  
 EN55024, EN61204-3, EN61000-6-1  
 Safety ..... Class II, IEC60950-1, EN60950-1, UL60950-1

### NOTE:

1. Add a 0.1uF ceramic capacitor and a 10uF E.L. capacitor to output for Ripple & Noise measuring @20MHz BW.
2. Voltage setpoint at 60% full load.
3. Line regulation measured from 100Vac to 240Vac, full load.
4. Load regulation measured from 60% to 100% full load and from 60% to 20% load (60% +/- 40% full load).

## Mechanical Specification

All Dimensions are in inches(mm)  
 Tolerance: Inches: X.XXX±0.02  
 Millimeters: X.XX±0.5



Typical at 25°C, nominal line and 75% load, unless otherwise Specified

## X-ON Electronics

Largest Supplier of Electrical and Electronic Components

*Click to view similar products for [Wall Mount AC Adapters](#) category:*

*Click to view products by [Cincon](#) manufacturer:*

Other Similar products are found below :

[ADP-163 E](#) [ADP-167 J](#) [ADP-168 K](#) [ADP-159 A](#) [ADP-165 G](#) [PSAC05A-050L6](#) [RLMDT361800](#) [DA10-050CH](#) [DA5-050US-B](#)  
[RLMDT701800](#) [WSU120-2000-R13](#) [WSU180-1330-13](#) [AC-DC ADAPTER 160W](#) [WSU120-2000-13](#) [WSU150-0800-13](#) [WSU075-3200-13](#)  
[WSU060-2000-R13](#) [WSU090-2500-13](#) [WSU050-2000-R13](#) [WSU240-1000-13](#) [WSU240-0500-R13](#) [WSU075-1500-13](#) [WSU050-3000-13](#)  
[WSU120-1500-13](#) [WSU120-1500-R13](#) [WSU045-1500-13](#) [WSU240-0750-13](#) [WSU090-2500-R13](#) [WSU240-1500-13](#) [WSU180-0660-13](#)  
[WSU075-1500-R13](#) [WSU090-1300-13](#) [WSU180-1330-R13](#) [BB-SMI1812VP230C1](#) [WSU050-1500-13](#) [WSU090-0800-13](#) [WSU120-0700-13](#)  
[WSU045-3000-13](#) [WSU180-0450-13](#) [WSU150-0560-R13](#) [WSU135-0880-13](#) [WSU120-3000-13](#) [WSU120-1000-R13](#) [WSU090-1300-R13](#)  
[WSU060-1250-R13](#) [WSU060-1250-13](#) [WSU045-2000-R13](#) [WSU045-1500-R13](#) [PSAC05A-050L6M](#) [392007-01](#)