

2-Channel TRIAC Dimmable LED Driver IC

Features

- Best-in-class Dimmer Compatibility
 - Leading-edge (TRIAC) Dimmers
 - Trailing-edge Dimmers
 - Digital Dimmers (with Integrated Power Supply)
- Correlated Color Temperature (CCT) Control System
- Up to 85% Efficiency
- Flicker-free Dimming
- Programmable Dimming Profile
 - Constant CCT Dimming
 - Black Body Line Dimming
- 0% Minimum Dimming Level
- Temperature Compensated LED Current
- End-of-line Programming Using Power Line Calibration
 - Lower LED Binning Requirement
- Programmable Series or Parallel Two-Channel Output
 - Interleaved Output Eliminates Additional Transformer
- Programmable Quasi-resonant Second Stage with Constant-current Output
 - Flyback, Buck, and Tapped Buck
- Register Lockout
- Fast Startup
- Tight LED Current Regulation: Better than $\pm 5\%$
- Primary-side Regulation (PSR)
- >0.9 Power Factor
- IEC-61000-3-2 Compliant
- Soft Start
- Protections:
 - Output Open/Short
 - Current-sense Resistor Open/Short
 - External Overtemperature Using NTC

Overview

The CS1630 and CS1631 are high-performance offline AC/DC LED drivers for dimmable and high color rendering index (CRI) LED replacement lamps and luminaires. They feature Cirrus Logic's proprietary digital dimmer compatibility control technology and digital correlated color temperature (CCT) control system that enables two-channel LED color mixing. The CS1630 is designed for 120VAC line voltage applications, and the CS1631 is optimized for 230VAC line voltage applications.

The CS1630/31 integrates a critical conduction mode boost converter, providing power factor correction and superior dimmer compatibility with a primary-side regulated quasi-resonant second stage, which is configurable for isolated and non-isolated topologies. The digital CCT control system provides the ability to program dimming profiles, such as constant CCT dimming and black body line dimming. The CS1630/31 optimizes LED color mixing by temperature compensating LED current with an external NTC. The IC controller is also equipped with power line calibration for remote system calibration and end-of-line programming. The CS1630/31 provides a register lockout feature for security against potential access to proprietary registers.

Applications

- Dimmable Retrofit LED Lamps and LED Luminaries
- High CRI Lighting
- Offline LED Drivers
- Commercial Lighting

Ordering Information

See [page 55](#).

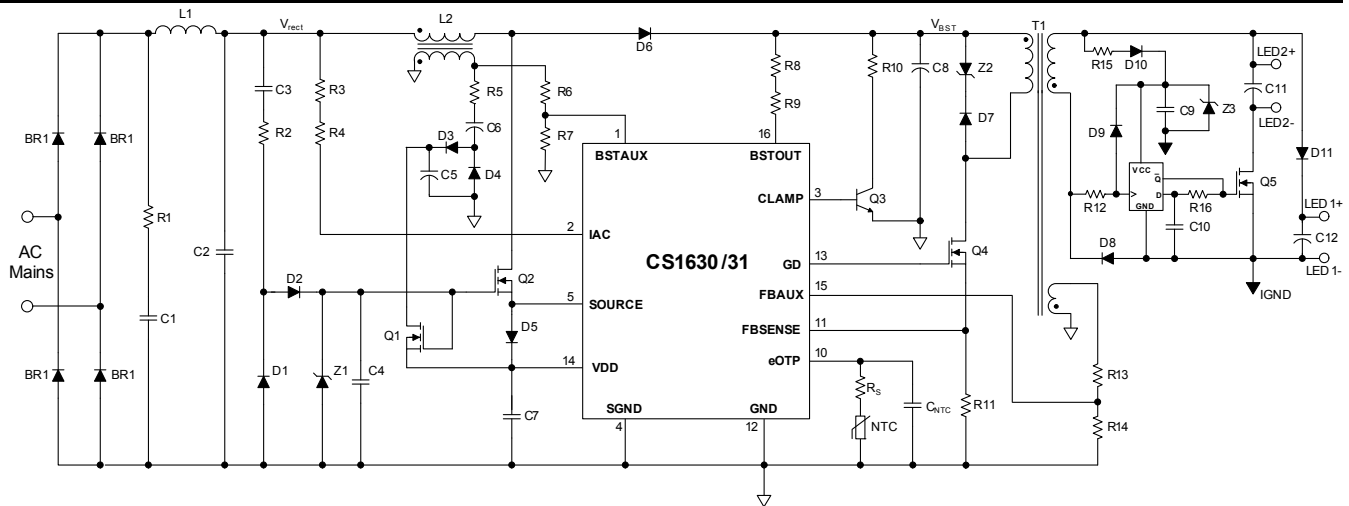


TABLE OF CONTENTS

1.INTRODUCTION	4
2.PIN DESCRIPTION	5
3.CHARACTERISTICS AND SPECIFICATIONS	6
3.1 Electrical Characteristics	6
3.2 I ² C™ Port Switching Characteristics	8
3.3 Power Line Calibration Characteristics	9
3.4 Thermal Resistance	10
3.5 Absolute Maximum Ratings	10
4.TYPICAL PERFORMANCE PLOTS	11
5.GENERAL DESCRIPTION	12
5.1 Overview	12
5.2 Startup Circuit	12
5.3 Dimmer Switch Detection	12
5.3.1 Dimmer Learn Mode	12
5.3.2 Dimmer Validate Mode	12
5.3.3 No-dimmer Mode	12
5.3.4 Leading-edge Mode	12
5.3.5 Trailing-edge Mode	13
5.4 Correlated Color Temperature Control	13
5.5 Dimming Signal Extraction and the Dim Mapping Algorithm	14
5.6 Boost Stage	14
5.6.1 Maximum Peak Current	14
5.6.2 Output BSTOUT Sense & Input IAC Sense	15
5.6.3 Boost Auxiliary Winding	15
5.6.4 Boost Overvoltage Protection	15
5.7 Voltage Clamp Circuit	15
5.7.1 Clamp Overpower Protection	16
5.8 Quasi-resonant Second Stage	16
5.8.1 Series & Parallel Two-Channel Output	17
5.8.2 Primary-side Current Control for Two-Channel Output	18
5.8.3 Auxiliary Winding Configuration	18
5.8.4 Control Parameters	18
5.8.5 Frequency Dithering	18
5.8.6 Output Open Circuit Protection	19
5.8.7 Overcurrent Protection	19
5.8.8 Open Loop Protection	19
5.9 Overtemperature Protection	19
5.9.1 Internal Overtemperature Protection	19
5.9.2 External Overtemperature Protection	19
5.10 Power Line Calibration	21
5.10.1 Power Line Calibration Specification	21
5.10.2 PLC Program Mode Characters	22
5.10.3 Calibration Mode Operation Code	22
5.10.4 Register Lockout	23
5.11 I ² C™ Communication Interface	23
5.11.1 I ² C Control Port Protocol	23
5.11.2 Control Port Enable	24
5.11.3 Read Operation	24
5.11.4 Write Operation	25
5.11.5 Customer I ² C Lockout	25
5.12 OTP Memory	26
5.12.1 Programming the OTP Memory	26

6. ONE-TIME PROGRAMMABLE (OTP) REGISTERS	27
6.1 Registers Map	27
6.2 Configuration 0 (Config0) – Address 0	29
6.3 Lockout Key (LOCK0, LOCK1, LOCK2, LOCK3) – Address 1 - 4	29
6.4 Color Polynomial Coefficient (P30, P20, P10, P03, P02, P01, P21, P12, P11, P00) – Address 5 - 24	29
6.5 Color Polynomial Coefficient (Q3, Q2, Q1, Q0) – Address 25 - 32	30
6.6 Gate Drive Duration (GD_DUR) – Address 33	30
6.7 Configuration 2 (Config2) – Address 34	31
6.8 Configuration 3 (Config3) – Address 35	32
6.9 Configuration 4 (Config4) – Address 36	33
6.10 Second Stage Dim (S2DIM) – Address 37	33
6.11 Maximum TT (TTMAX) – Address 38	33
6.12 Configuration 7 (Config7) – Address 39	34
6.13 Configuration 8 (Config8) – Address 40	34
6.14 Channel 1 Output Current (CH1CUR) – Address 41	35
6.15 Configuration 10 (Config10) – Address 42	35
6.16 Channel 2 Output Current (CH2CUR) – Address 43	35
6.17 Configuration 12 (Config12) – Address 44	36
6.18 PU Coefficient (PID) – Address 45	36
6.19 Maximum Switching Frequency (TTFREQ) – Address 46	36
6.20 Configuration 15 (Config15) – Address 47	37
6.21 Configuration 16 (Config16) – Address 48	37
6.22 Configuration 17 (Config17) – Address 49	38
6.23 Configuration 18 (Config18) – Address 50	38
6.24 Peak Current (PEAK_CUR) – Address 51	39
6.25 Configuration 38 (Config38) – Address 70	39
6.26 Configuration 44 (Config44) – Address 76	39
6.27 Configuration 45 (Config45) – Address 77	40
6.28 Configuration 46 (Config46) – Address 78	40
6.29 Configuration 47 (Config47) – Address 79	41
6.30 Configuration 48 (Config48) – Address 80	42
6.31 Configuration 49 (Config49) – Address 81	42
6.32 Configuration 50 (Config50) – Address 82	43
6.33 Configuration 51 (Config51) – Address 83	43
6.34 Configuration 52 (Config52) – Address 84	44
6.35 Configuration 53 (Config53) – Address 85	45
6.36 Configuration 54 (Config54) – Address 86	46
6.37 Configuration 55 (Config55) – Address 87	47
6.38 PLC Dim (PLC_DIM) – Address 89	47
6.39 Configuration 58 (Config58) – Address 90	48
6.40 Configuration 59 (Config59) – Address 91	48
6.41 Configuration 60 (Config60) – Address 92	49
6.42 Configuration 61 (Config61) – Address 93	49
6.43 Configuration 62 (Config62) – Address 94	50
6.44 CRC Tag (CRC_TAG) – Address 102	50
6.45 Channel 1 Color Calibration 3A (CH1_CAL3A) – Address 119	51
6.46 Channel 2 Color Calibration 3A (CH2_CAL3A) – Address 120	51
6.47 CRC Memory Tag 3A (CRC_MTAG3A) – Address 121	51
6.48 Channel 1 Color Calibration 3B (CH1_CAL3B) – Address 122	52
6.49 Channel 2 Color Calibration 3B (CH2_CAL3B) – Address 123	52
6.50 CRC Memory Tag 3B (CRC_MTAG3B) – Address 124	52
6.51 Channel 1 Color Calibration 3C (CH1_CAL3C) – Address 125	53
6.52 Channel 2 Color Calibration 3C (CH2_CAL3C) – Address 126	53
6.53 CRC Memory Tag 3C (CRC_MTAG3C) – Address 127	53
7. PACKAGE DRAWING	54
8. ORDERING INFORMATION	55
9. ENVIRONMENTAL, MANUFACTURING, & HANDLING INFORMATION	55
10. REVISION HISTORY	56

1. INTRODUCTION

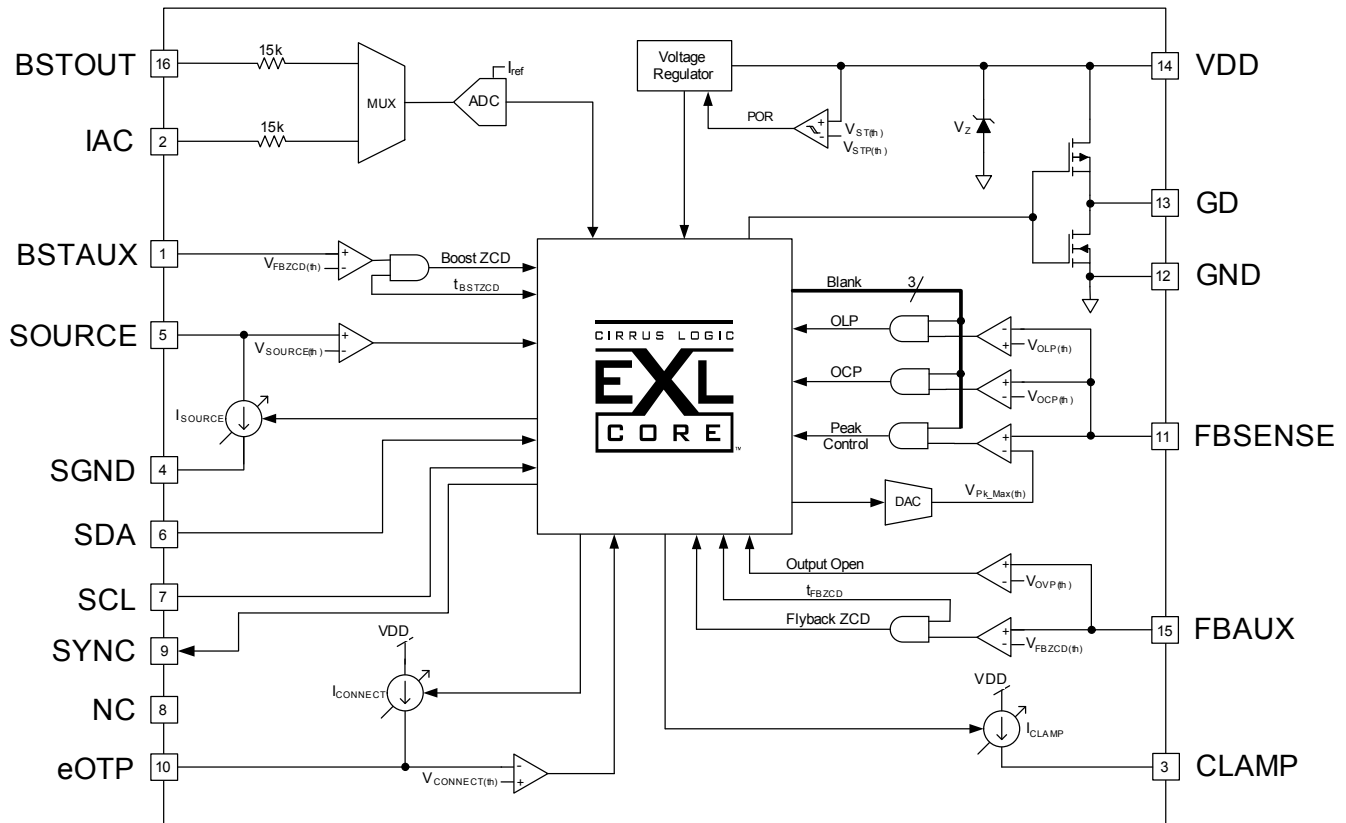


Figure 1. CS1630/31 Block Diagram

A typical schematic using the CS1630/31 IC is shown on the front page.

Startup current is provided from a patent-pending, external high-voltage source-follower network. In addition to providing startup current, this unique topology is integral in providing compatibility with digital dimmers by ensuring V_{DD} power is always available to the IC. During steady-state operation, an auxiliary winding on the boost inductor back-biases the source-follower circuit and provides steady-state operating current to the IC to improve system efficiency.

The rectified input voltage is sensed as a current into pin IAC and is used to control the adaptive dimmer compatibility algorithm and extract the phase of the input voltage for output dimming control. During steady-state operation, the external high-voltage, source-follower circuit is source-switched in critical conduction mode (CRM) to boost the input voltage. This allows the boost stage to maintain good power factor, provide dimmer compatibility, reduce bulk capacitor ripple current, and provide a regulated input voltage to the second stage.

The current into the boost output voltage sense pin BSTOUT senses the output voltage of the CRM boost front-end.

The quasi-resonant second stage is implemented with peak-current mode primary-side control, which eliminates the need for additional components to provide feedback from the secondary and reduces system cost and complexity.

Voltage across an external user-selected resistor is sensed through pin FBSense to control the peak current through the second stage inductor. Leading-edge and trailing-edge blanking on pin FBSense prevents false triggering.

Pin FBAUX is used to sense the second stage inductor demagnetization to ensure quasi-resonant switching of the output stage.

An internal current source is adjusted by a feedback loop to regulate a constant reference voltage on pin eOTP for external negative temperature coefficient (NTC) thermistor measurements. An external NTC is connected to pin eOTP to provide thermal protection of the system and LED temperature compensation. The output current of the system is steadily reduced when the system temperature exceeds a programmable temperature set point. If the temperature reaches a designated high set point, the IC is shutdown and stops switching.

2. PIN DESCRIPTION

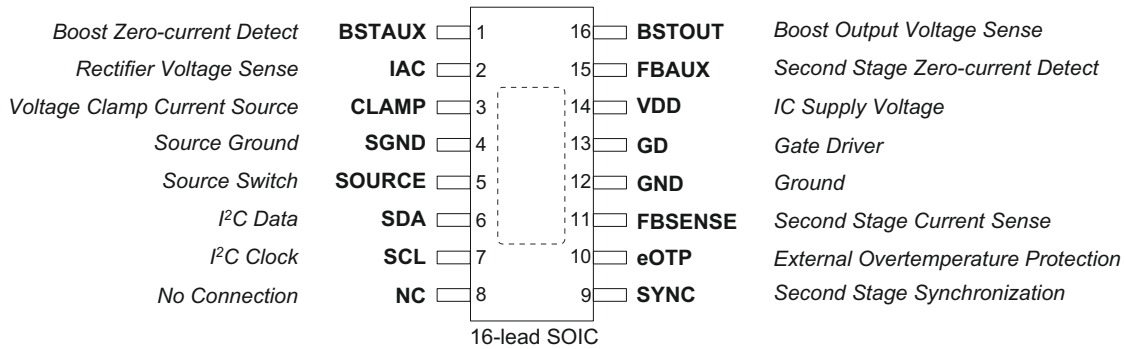


Figure 2. CS1630/31

Pin Name	Pin #	I/O	Description
BSTAUX	1	IN	Boost Zero-current Detect — Boost Inductor demagnetization sensing input for zero-current detection (ZCD) information. The pin is connected to the PFC boost inductor auxiliary winding through an external resistor divider.
IAC	2	IN	Rectifier Voltage Sense — A current proportional to the rectified line voltage is fed into this pin. The current is measured with an A/D converter.
CLAMP	3	OUT	Voltage Clamp Current Source — Connect to a voltage clamp circuit on the output of the boost stage.
SGND	4	PWR	Source Ground — Common reference current return for the SOURCE pin.
SOURCE	5	IN	Source Switch — Connected to the source of the boost stage external high-voltage FET.
SDA	6	I/O	I²C™ Data — I ² C data.
SCL	7	IN	I²C™ Clock — I ² C clock.
NC	8	-	No Connection — Leave pin unconnected.
SYNC	9	OUT	Second Stage Synchronization — A digital synchronization signal that indicates which channel the controller is signaling for each gate switching period.
eOTP	10	IN	External Overtemperature Protection — Connect an external NTC thermistor to this pin, allowing the internal A/D converter to sample the change to NTC resistance.
FBSENSE	11	IN	Second Stage Current Sense — The current flowing in the second stage FET is sensed across a resistor. The resulting voltage is applied to this pin and digitized for use by the second stage computational logic to determine the FET's duty cycle.
GND	12	PWR	Ground — Common reference. Current return for both the input signal portion of the IC and the gate driver.
GD	13	OUT	Gate Driver — Gate drive for the second stage power FET.
VDD	14	PWR	IC Supply Voltage — Connect a storage capacitor to this pin to serve as a reservoir for operating current for the device, including the gate drive current to the power transistor.
FBAUX	15	IN	Second Stage Zero-current Detect — Second stage inductor sensing input. The pin is connected to the second stage inductor's auxiliary winding through an external resistor divider.
BSTOUT	16	IN	Boost Output Voltage Sense — A current proportional to the boost output is fed into this pin. The current is measured with an A/D converter.

3. CHARACTERISTICS AND SPECIFICATIONS

3.1 Electrical Characteristics

Typical characteristics conditions:

- $T_A = 25^\circ\text{C}$, $V_{DD} = 12\text{V}$, $\text{GND} = 0\text{V}$
- All voltages are measured with respect to GND.
- Unless otherwise specified, all currents are positive when flowing into the IC.

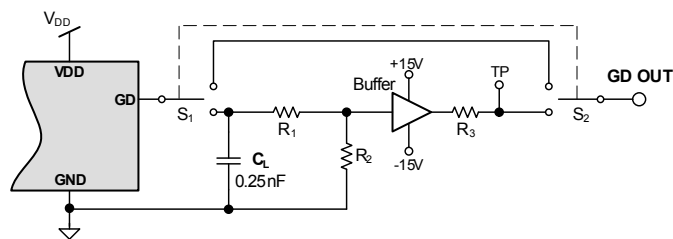
Minimum/Maximum characteristics conditions:

- $T_J = -40^\circ\text{C}$ to $+125^\circ\text{C}$, $V_{DD} = 11\text{V}$ to 17V , $\text{GND} = 0\text{V}$

Parameter	Condition	Symbol	Min	Typ	Max	Unit
VDD Supply Voltage						
Operating Range	After Turn-on	V_{DD}	11	-	17	V
Turn-on Threshold Voltage	V_{DD} Increasing	$V_{ST(th)}$	-	8.5	-	V
Turn-off Threshold Voltage (UVLO)	V_{DD} Decreasing	$V_{STP(th)}$	-	7.5	-	V
Zener Voltage (Note 1)	$I_{DD} = 20\text{mA}$	V_Z	18.5	-	19.8	V
VDD Supply Current						
Startup Supply Current	$V_{DD} < V_{ST(th)}$	I_{ST}	-	-	200	μA
Operating Supply Current (Note 5)	$C_L = 0.25\text{nF}$, $F_{sw} \leq 60\text{kHz}$		-	5.8	-	mA
Reference						
Reference Current						
CS1630	$V_{BST} = 200\text{V}$	I_{ref}	-	133	-	μA
CS1631	$V_{BST} = 400\text{V}$		-	133	-	μA
Boost						
Maximum Switching Frequency		$f_{BST(Max)}$	-	-	200	kHz
Clamp Current		I_{CLAMP}	-	-3.8	-	mA
Dimmer Attach Peak Current						
CS1630	$108 \leq V_{line} \leq 132$		-	590	-	mA
CS1631	$207 \leq V_{line} \leq 253$		-	508	-	mA
Boost Zero-current Detect						
BSTZCD Threshold		$V_{BSTZCD(th)}$	-	200	-	mV
ZCD Sink Current (Note 2)		I_{BSTZCD}	-2	-	-	mA
BSTAUX Upper Voltage	$I_{BSTZCD} = 1\text{mA}$		-	$V_{DD} + 0.6$	-	V
Boost Protection						
Clamp Turn-on						
CS1630	$108 \leq V_{line} \leq 132$		-	146.7	-	μA
CS1631	$207 \leq V_{line} \leq 253$		-	141.7	-	μA
Second Stage Zero-current Detect						
FBZCD Threshold		$V_{FBZCD(th)}$	-	200	-	mV
ZCD Sink Current (Note 2)		I_{FBZCD}	-2	-	-	mA
FBAUX Upper Voltage	$I_{FBZCD} = 1\text{mA}$		-	$V_{DD} + 0.6$	-	V
Second Stage Current Sense						
Peak Control Threshold		$V_{PK_Max(th)}$	-	1.4	-	V
Delay to Output			-	-	100	ns

Parameter	Condition	Symbol	Min	Typ	Max	Unit
Second Stage Pulse Width Modulator						
Minimum Switching Frequency		$t_{FB(Min)}$	-	625	-	Hz
Maximum Switching Frequency		$t_{FB(Max)}$	-	200	-	kHz
Second Stage Gate Driver						
Output Source Resistance	$V_{DD} = 12V$		-	24	-	Ω
Output Sink Resistance	$V_{DD} = 12V$		-	11	-	Ω
Rise Time (Note 5)	$C_L = 0.25nF$		-	-	30	ns
Fall Time (Note 5)	$C_L = 0.25nF$		-	-	20	ns
Second Stage Protection						
Overcurrent Protection (OCP)		$V_{OCP(th)}$	-	1.69	-	V
Overvoltage Protection (OVP)		$V_{OVP(th)}$	-	1.25	-	V
Open Loop Protection (OLP)		$V_{OLP(th)}$	-	200	-	mV
External Overtemperature Protection (eOTP)						
Pull-up Current Source – Maximum		$I_{CONNECT}$	-	80	-	μA
Conductance Accuracy (Note 3)			-	-	± 5	%
Conductance Offset (Note 3)			-	± 250	-	nS
Current Source Voltage Threshold		$V_{CONNECT(th)}$	-	1.25	-	V
Internal Overtemperature Protection (iOTP)						
Thermal Shutdown Threshold (Note 4)		T_{SD}	-	135	-	$^{\circ}C$
Thermal Shutdown Hysteresis (Note 4)		$T_{SD(Hy)}$	-	14	-	$^{\circ}C$

- Notes:
1. The CS1630/31 has an internal shunt regulator that limits the voltage on the VDD pin. V_Z , the shunt regulation voltage, is defined in the VDD Supply Voltage section on page 6.
 2. External circuitry should be designed to ensure that the ZCD current drawn from the internal clamp diode when it is forward biased does not exceed specification.
 3. Conductance is the inverse of resistance ($1/\Omega$) and is expressed in siemens (S). A decrease in conductance is equivalent to an increase in resistance.
 4. Specifications are guaranteed by design and are characterized and correlated using statistical process methods.
 5. For test purposes, load capacitance (C_L) is 0.25nF and is connected as shown in the following diagram.

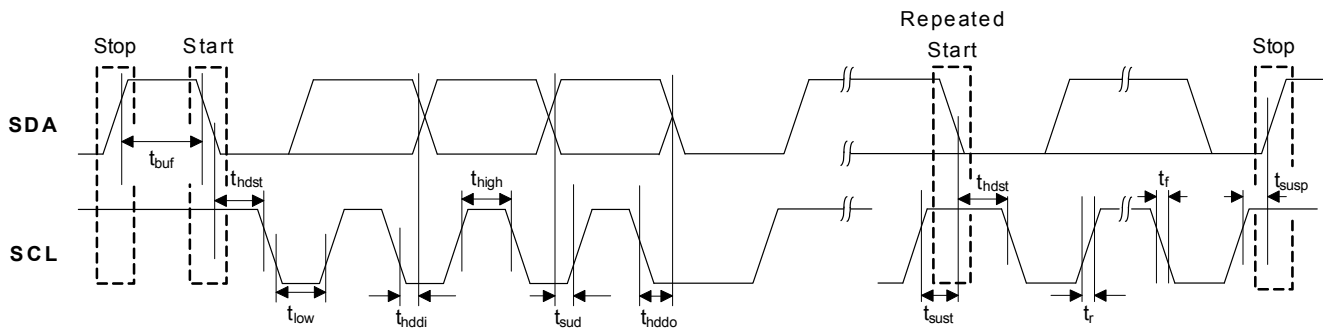


3.2 I²C™ Port Switching Characteristics

Test conditions (unless otherwise specified):

- Inputs: Logic 0 = GND = 0V, Logic 1 = 3.3V.
- The CS1630/31 control port only supports I²C slave functionality.
- It is recommended that a 2.2kΩ pull-up resistor be placed from the SDA pin to V_{DD}.

Parameter	Symbol	Min	Typ	Max	Unit
SCL Clock Frequency	f_{scl}	-	-	400	kHz
Bus Free Time Between Transmissions	t_{buf}	1.3	-	-	μs
Start Condition Hold Time (prior to first clock pulse)	t_{hdst}	0.6	-	-	μs
Clock Low time	t_{low}	1.3	-	-	μs
Clock High Time	t_{high}	0.6	-	-	μs
Setup Time for Repeated Start Condition	t_{sust}	0.6	-	-	μs
SDA Input Hold Time from SCL Falling	t_{hddi}	0	-	0.9	μs
SDA Setup time to SCL Rising	t_{sud}	100	-	-	ns
Setup Time for Stop Condition	t_{susp}	0.6	-	-	μs
SDA Input Voltage Low	V_{il}	-	1.5	-	V
SDA Input Voltage High	V_{ih}	-	1.85	-	V
SDA Output Voltage Low	V_{ol}	-	0.25	-	V



3.3 Power Line Calibration Characteristics

Typical characteristics conditions:

- $T_A = 25^\circ\text{C}$, $V_{DD} = 12\text{V}$, $\text{GND} = 0\text{V}$
- All voltages are measured with respect to GND.
- Unless otherwise specified, all current is positive when flowing into the IC.

Minimum/Maximum characteristics conditions:

$T_J = 25^\circ\text{C}$, $V_{DD} = 11\text{V to } 17\text{V}$, $\text{GND} = 0\text{V}$

Parameter	(Note 6)	Min	Typ	Max	Units
Input Line Frequency	(Note 7)	47	50/60	63	Hz
Input Voltage	(Note 7)				V
CS1630		114	120	126	V
CS1631		218	230	242	V
Dual-bit 00 ("00")		24	34	44	Degrees
Dual-bit 01 ("01")		52	62	72	Degrees
Dual-bit 10 ("10")		108	118	128	Degrees
Dual-bit 11 ("11")		136	146	156	Degrees
Special Character (SC)		80	90	100	Degrees

- Notes:
6. The CS1630/31 supports leading-edge phase-cut waveforms only for power line calibration.
 7. Range is recommended for power line calibration operation only.

3.4 Thermal Resistance

Symbol	Parameter	Value	Unit
θ_{JA}	Junction-to-ambient Thermal Impedance	2 Layer PCB	84
		4 Layer PCB	47
θ_{JC}	Junction-to-case Thermal Impedance	2 Layer PCB	39
		4 Layer PCB	31

3.5 Absolute Maximum Ratings

Characteristics conditions:

All voltages are measured with respect to GND.

Pin	Symbol	Parameter	Value	Unit
14	V_{DD}	IC Supply Voltage	18.5	V
1, 2, 5, 6, 7, 9, 10, 11, 15, 16		Analog Input Maximum Voltage	-0.5 to ($V_{DD}+0.5$)	V
1, 2, 6, 7, 9, 10, 11, 15, 16		Analog Input Maximum Current	5	mA
13	V_{GD}	Gate Drive Output Voltage	-0.3 to ($V_{DD}+0.3$)	V
13	I_{GD}	Gate Drive Output Current	-1.0 / +0.5	A
5	I_{SOURCE}	Current into Pin	1.1	A
3	I_{CLAMP}	Clamp Output Current	5	mA
-	P_D	Total Power Dissipation	400	mW
-	T_J	Junction Temperature Operating Range (Note 8)	-40 to +125	°C
-	T_{Stg}	Storage Temperature Range	-65 to +150	°C
All Pins	ESD	Electrostatic Discharge Capability	Human Body Model	2000
			Charged Device Model	500

Note: 8. Long-term operation at the maximum junction temperature will result in reduced product life. Derate internal power dissipation at the rate of 50mW/°C for variation over temperature.

WARNING:

Operation at or beyond these limits may result in permanent damage to the device.
Normal operation is not guaranteed at these extremes.

4. TYPICAL PERFORMANCE PLOTS

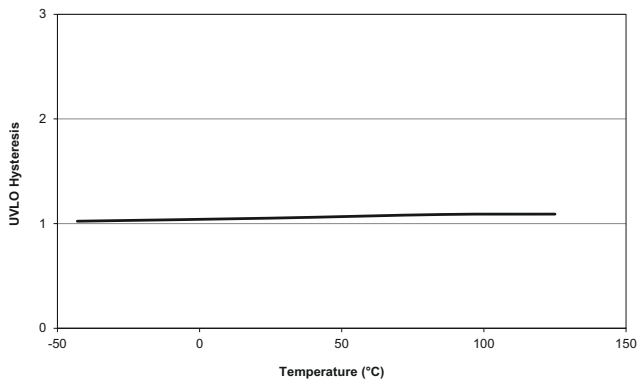


Figure 3. UVLO Characteristics

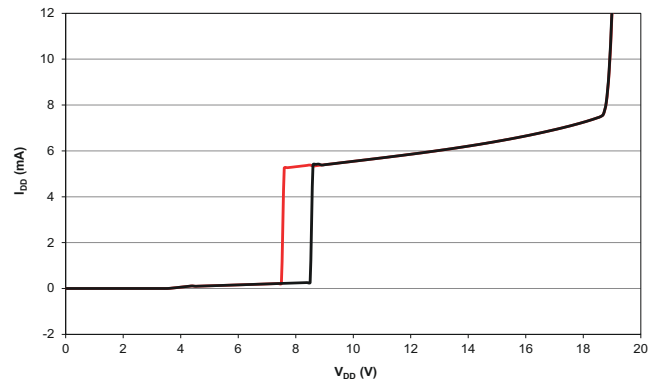


Figure 4. Supply Current vs. Voltage

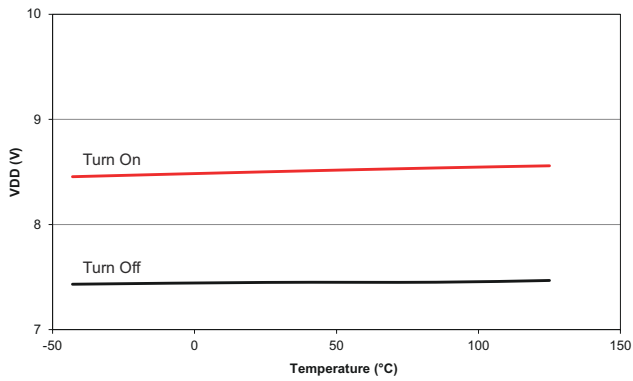


Figure 5. Turn-on/off Threshold Voltage vs. Temperature

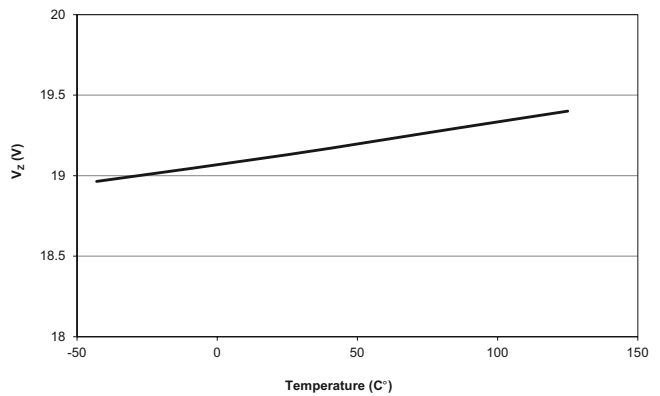


Figure 6. Zener Voltage vs. Temperature

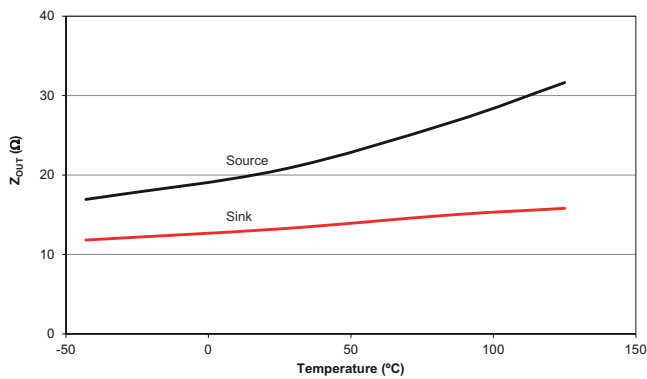


Figure 7. Gate Drive Resistance vs. Temperature

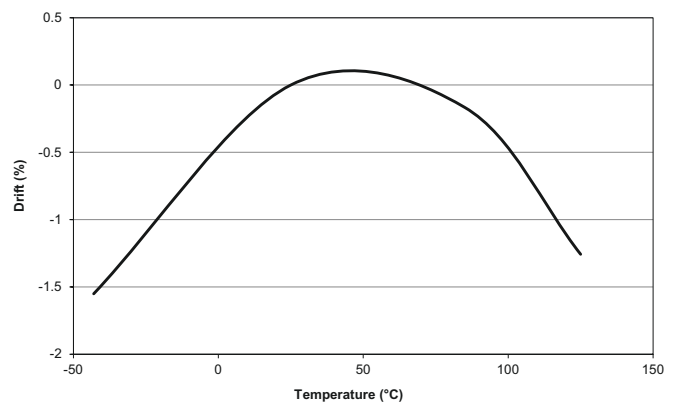


Figure 8. Reference Current (I_{ref}) Drift vs. Temperature

5. GENERAL DESCRIPTION

5.1 Overview

The CS1630 and CS1631 are high-performance offline AC/DC LED drivers for dimmable and high color rendering index (CRI) LED replacement lamps and luminaires. They feature Cirrus Logic's proprietary digital dimmer compatibility control technology and digital correlated color temperature (CCT) control system that enables two-channel LED color mixing. The CS1630 is designed for 120VAC line voltage applications, and the CS1631 is optimized for 230VAC line voltage applications.

The CS1630/31 integrates a critical conduction mode (CRM) boost converter, providing power factor correction and superior dimmer compatibility with a primary-side regulated quasi-resonant second stage, which is configurable for isolated and non-isolated topologies. The digital CCT control system provides the ability to program dimming profiles, such as constant CCT dimming and black body line dimming. The CS1630/31 optimizes LED color mixing by temperature compensating LED current with an external negative temperature coefficient (NTC) thermistor. The IC controller is also equipped with power line calibration for remote system calibration and end-of-line programming. The CS1630/31 provides a register lockout feature for security against potential access to proprietary registers.

5.2 Startup Circuit

An external, high-voltage source-follower circuit is used to deliver startup current to the IC. During steady-state operation, an auxiliary winding on the boost inductor biases this circuit to an off state to improve system efficiency, and all IC supply current is generated from the auxiliary winding. The patent pending technology of the external, high-voltage source-follower circuit enables system compatibility with digital dimmers (dimmers containing an internal power supply) by providing a continuous path for a dimmer's power supply to recharge during its off state. During steady-state operation, high-voltage FET Q1 is source-switched by a variable internal current source on the SOURCE pin to create the boost circuit. A Schottky diode with a forward voltage less than 0.6V is recommended for diode D5. Schottky diode D5 will limit inrush current through the internal diode, preventing damage to the IC.

5.3 Dimmer Switch Detection

The CS1630/31 dimmer switch detection algorithm determines if the solid-state lighting system is controlled by a regular switch, a leading-edge dimmer, or a trailing-edge dimmer. Dimmer switch detection is implemented using two modes: Dimmer Learn Mode and Dimmer Validate Mode. These assist in limiting the system power losses. Once the IC reaches UVLO start threshold $V_{ST(th)}$ and begins operating, the CS1630/31 is in Dimmer Learn Mode, allowing the dimmer switch detection

circuit to set the operating state of the IC to one of three modes: No-dimmer Mode, Leading-edge Mode, or Trailing-edge Mode.

5.3.1 Dimmer Learn Mode

In Dimmer Learn Mode, the dimmer detection circuit spends approximately two line-cycles learning whether there is a dimmer switch and, if present, whether it is a trailing-edge or leading-edge dimmer. A modified version of the leading-edge algorithm is used. The trailing-side slope of the input line voltage is sensed to decide whether the dimmer switch is a trailing-edge dimmer. The dimmer detection circuit transitions to Dimmer Validate Mode once the circuit detects that a dimmer is present.

5.3.2 Dimmer Validate Mode

During normal operation, CS1630/31 is in Dimmer Validate Mode. This instructs the dimmer detection circuit to periodically validate that the IC is executing the correct algorithm for the attached dimmer. The dimmer detection algorithm periodically verifies the IC operating state as a protection against incorrect detection. As additional protection, the output of the dimmer detection algorithm is low-pass filtered to prevent noise or transient events from changing the IC's operating mode. The IC will return to Dimmer Learn Mode when it has determined that the wrong algorithm is being executed.

5.3.3 No-dimmer Mode

Upon detection that the line is not phase cut with a dimmer, the CS1630/31 operates in No-dimmer Mode, where it provides a power factor that is in excess of 0.9. The CS1630/31 accomplishes this by boosting in CRM and DCM mode. The peak current is modulated to provide link regulation. The CS1630/31 alternates between two settings of peak current. To regulate the boost output voltage, the CS1630/31 uses a peak current set by register PEAK_CUR (see "Peak Current (PEAK_CUR) – Address 51" on page 39). The time that this current is used is determined by an internal compensation loop to regulate the boost output voltage. The internal algorithm will reduce the peak current of the boost stage to maintain output voltage regulation and obtain the desired power factor.

5.3.4 Leading-edge Mode

In Leading-edge Mode, the CS1630/31 regulates boost output voltage V_{BST} while maintaining the dimmer phase angle (see Figure 9. on page 13). The device executes a CCM boost algorithm using dimmer attach current as the initial peak current for the initial firing event of the dimmer. Upon gaining control of the incoming current, the CS1630/31 transitions to a CRM boost algorithm to regulate boost output voltage V_{BST} . The device periodically executes a probe event on the incoming

waveform. The information from the probe event is used to maintain proper operation with the dimmer circuitry.

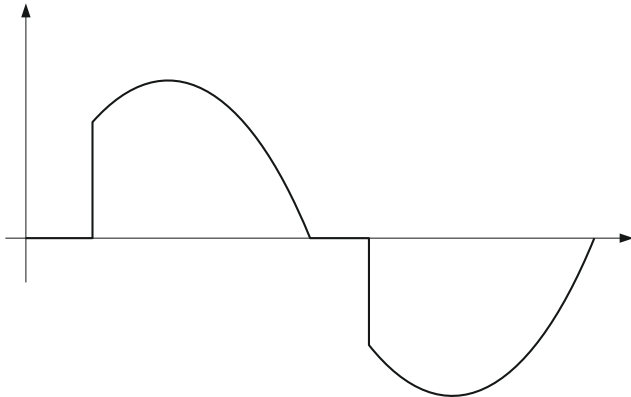


Figure 9. Leading-edge Mode Phase-cut Waveform

5.3.5 Trailing-edge Mode

In Trailing-edge Mode, the CS1630/31 determines its operation based on the falling edge of the input voltage waveform (see Figure 10). To provide proper dimmer operation, the CS1630/31 executes the boost algorithm on the falling edge of the input line voltage that maintains a charge in the dimmer capacitor. To ensure maximum compatibility with dimmer components, the device boosts during this falling edge event using a peak current that must meet a minimum value. In Trailing-edge Mode, only the CRM boost algorithm is used.

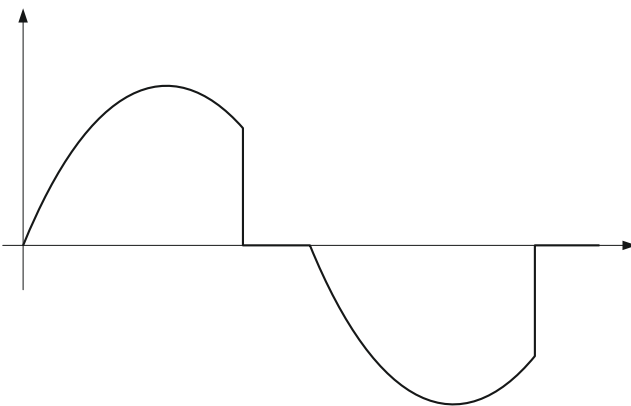


Figure 10. Trailing-edge Mode Phase-cut Waveform

5.4 Correlated Color Temperature Control

The CS1630/31 color control system can adjust and maintain the correlated color temperature (CCT) for the LED color-mixing application by connecting an external negative temperature coefficient (NTC) thermistor to the eOTP pin. The LED temperature variation can be accurately detected by the internal eOTP feedback loops (see "External Overtemperature Protection" on page 19).

Red and amber LEDs are necessary components in color-mixing applications when providing warm white or other CCTs. When mixing colors, red and amber LEDs are the most temperature sensitive, so they cause a large variation in temperature. The CS1630/31 is capable of providing LED CCT and luminosity with temperature compensation using the NTC thermistor to resolve the significant change in the luminous output due to temperature variations.

Since LED lumens are mainly a function of temperature and forward current, color temperature and luminosity can be maintained by independently adjusting each string's output current as the ambient temperature changes. This can be done by mapping the NTC reading to a required value of the current in each string using a digital mapping block.

In the CS1630/31, only one of the LED string currents is compensated for due to temperature variations. The current in the other string is kept constant over temperature, which may result in the luminosity decreasing slightly as temperature increases. In order for the ADC to resolve the entire range of possible temperature variation in the LEDs, it is recommended to select series resistor R_S and NTC resistor R_{NTC} with the appropriate Beta value, which retains the total resistance ($R_S + R_{NTC}$) at all possible operating temperatures within the tracking range of the ADC. The final temperature-to-digital code mapping depends on these variables.

The CS1630/31 color control system also has the ability to maintain a constant CCT or change CCT as the light dims. OTP configurations allow the selection of the dimming profile. A specific CCT profile can be programmed to the digital mapping device. In this case, the mapping is two-dimensional: one current versus temperature profile is generated for each dim level. The CS1630/31 provides two-dimensional mapping for the color LED's current only, and one-dimensional mapping (current versus dim level) for the other string. A simplified block diagram of the color control system is shown in Figure 11.

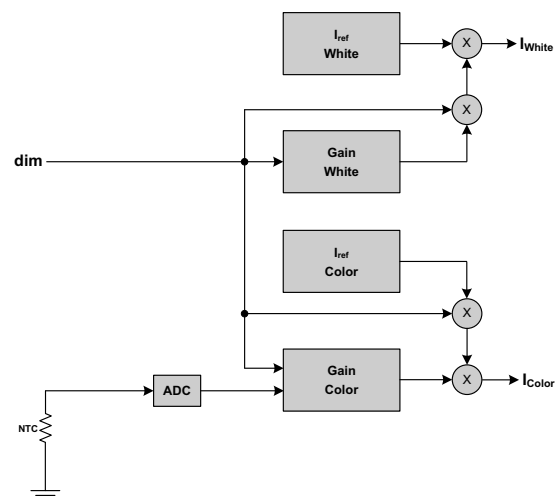


Figure 11. Block Diagram of Color Control System

$$GAIN_{DTR} = P30 \cdot T^3 + P20 \cdot T^2 + P10 \cdot T + P03 \cdot D^3 + P02 \cdot D^2 + P01 \cdot D + P21 \cdot T^2 \cdot D + P12 \cdot T \cdot D^2 + P11 \cdot T \cdot D + P00 \quad [\text{Eq. 1}]$$

where,

T = the measured normalized temperature and is $0 \leq T < 1.0$

D = the normalized dim value and is $0 \leq D < 1.0$

$GAIN_{DTR}$ = gain of the channel based on the temperature measurement and the dim value:

$$GAIN_{DR} = Q3 \cdot D^3 + Q2 \cdot D^2 + Q1 \cdot D + Q0 \quad [\text{Eq. 2}]$$

where,

D = the normalized dim value and is $0 \leq D < 1.0$

$GAIN_{DR}$ = gain of the channel based on the dim value

The reference currents are the required values at ambient temperature $T_A = 25^\circ\text{C}$ and dim = 100%. They are multiplied by the appropriate gains, and these values are passed to the final power stage. The CS1630/31 uses polynomial approximations in one and two dimensions to generate the color gains. These polynomials can be up to third-order.

$GAIN_{DTR}$ approximations create a custom temperature compensation profile and dimming profile of the temperature-sensitive LEDs (see Equation 1). Profiles are programmed through the Color Polynomial Coefficient registers (see "Color Polynomial Coefficient (P30, P20, P10, P03, P02, P01, P21, P12, P11, P00) – Address 5 - 24" on page 29).

$GAIN_{DR}$ approximation allows custom dimming profile of the white LEDs (see Equation 2). The profile is programmed through the Color Polynomial Coefficient registers (see "Color Polynomial Coefficient (Q3, Q2, Q1, Q0) – Address 25 - 32" on page 30).

Cirrus Logic, Inc. and its affiliates and subsidiaries generally make no representations or warranties that the combination of Cirrus Logic's products with light-emitting diodes ("LEDs"), converter materials, and/or other components will not infringe any third-party patents, including any patents related to color mixing in LED lighting applications, such as, for example, U.S. Patent No. 7,213,940 and related patents of Cree, Inc. For more information, please see Cirrus Logic's Terms and Conditions of Sale, or contact a Cirrus Logic sales representative.

5.5 Dimming Signal Extraction and the Dim Mapping Algorithm

When operating with a dimmer, the dimming signal is extracted in the time domain and is proportional to the conduction angle of the dimmer. A control variable is passed to the quasi-resonant second stage to achieve output currents from 0% to 100%.

5.6 Boost Stage

The high-voltage FET in the source-follower startup circuit is source-switched by a variable current source on the SOURCE pin to operate a boost circuit. Peak FET switching current is set by the PEAK_CUR register (see "Peak Current (PEAK_CUR) – Address 51" on page 39).

In No-dimmer Mode, the boost stage begins operating when the start threshold is reached during each rectified half line-cycle and is disabled at the nominal boost output voltage. The peak FET switching current determines the percentage of the rectified input voltage conduction angle over which the boost stage will operate. The control algorithm adjusts the peak FET switching current to maximize the operating time of the boost stage, thus improving the input power factor.

When operating in Leading-edge Mode, the boost stage ensures the hold current requirement of the dimmer is met from the initiation of each half-line dimmer conduction cycle until the peak of the rectified input voltage. Trailing-edge Mode boost stage ensures that the trailing-edge is exposed at the correct time with the correct current.

5.6.1 Maximum Peak Current

The maximum boost inductor peak current is configured by adjusting the peak switching current with peak current code $I_{PK(\text{code})}$. The PEAK_CUR register (see "Peak Current (PEAK_CUR) – Address 51" on page 39) is used to store peak current code $I_{PK(\text{code})}$. Maximum power output is proportional to peak current code $I_{PK(\text{code})}$, as shown in Equation 3:

$$P_{IN(\text{max})} = \frac{\delta(I_{PK} \cdot V_{RMS(\text{typ})})}{2} \quad [\text{Eq. 3}]$$

where,

δ = the correction term at 0.55

$V_{RMS(\text{typ})}$ = nominal operating input RMS voltage

I_{PK} = peak current code $I_{PK(\text{code})} \cdot 4.1 \text{ mA}$

5.6.2 Output BSTOUT Sense & Input IAC Sense

A current proportional to boost output voltage V_{BST} is supplied to the IC on pin BSTOUT and is used as a feedback control signal (see Figure 12). The ADC is used to measure the magnitude of current I_{BSTOUT} through resistor R_{BST} . The magnitude of current I_{BSTOUT} is then compared to an internal reference current I_{ref} of $133\mu A$.

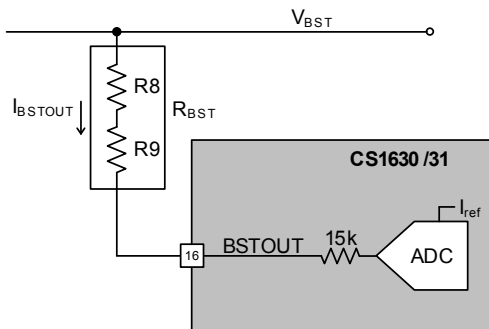


Figure 12. BSTOUT Input Pin Model

Resistor R_{BST} sets the feedback current at the nominal boost output voltage. For 230VAC line voltage applications, resistor R_{BST} is calculated as shown in Equation 4:

$$R_{BST} = \frac{V_{BST}}{I_{ref}} = \frac{400V}{133\mu A} \cong 3M\Omega \quad [Eq.4]$$

where,

V_{BST} = nominal boost output voltage

I_{ref} = internal reference current

For 120VAC line voltage applications (CS1630), nominal boost output voltage V_{BST} is 200V, and resistor R_{BST} is $1.5M\Omega$. By using digital loop compensation, the voltage feedback signal does not require an external compensation network.

A current proportional to the AC input voltage is supplied to the IC on pin IAC and is used by the boost control algorithm (see Figure 13).

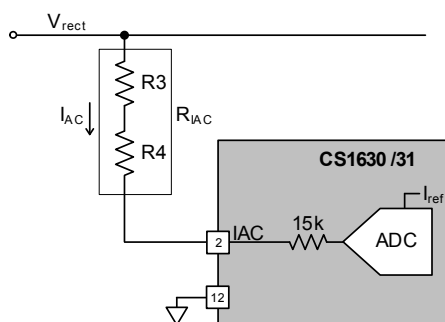


Figure 13. IAC Input Pin Model

Resistor R_{IAC} sets current I_{AC} and is derived from Equation 5:

$$R_{IAC} = R_{BST} \quad [Eq.5]$$

For optimal performance, resistors R_{IAC} and R_{BST} should use 1% tolerance or better resistors for best V_{BST} voltage accuracy.

5.6.3 Boost Auxiliary Winding

The boost auxiliary winding is used for zero-current detection (ZCD). The voltage on the auxiliary winding is sensed through the BSTAUX pin of the IC. It is also used to deliver startup current during startup time (see "Startup Circuit" on page 12).

5.6.4 Boost Overvoltage Protection

The CS1630/31 supports boost overvoltage protection (BOP) to protect the bulk capacitor C8 (see Figure 14. on page 16). If the boost output voltage exceeds the overvoltage protection thresholds programmed in the OTP registers a BOP fault signal is generated. The voltage level, $V_{BOP(th)}$, can be set within 227V to 257V for a CS1630 and 432V to 462V for a CS1631 (see "Configuration 53 (Config53) – Address 85" on page 45). The control logic continuously averages the BOP fault signal using a leaky integrator. When the output of the leaky integrator exceeds a certain threshold, which can be set using bits BOP_INTEG[3:0] in register Config53 (see "Configuration 53 (Config53) – Address 85" on page 45), a boost overvoltage fault is declared and the system stops boosting. More information on the leaky integrator size and sample rate is provided in section 6.23 "Configuration 18 (Config18) – Address 50" on page 38.

During a boost overvoltage protection event, the second stage is kept enabled only if the MAX_CUR bit in register Config45 (see "Configuration 45 (Config45) – Address 77" on page 40) is set to '1' (enabled), and its dim input is railed to full scale. This allows the second stage to quickly dissipate the stored energy on the bulk capacitor C8, bringing down the boost output voltage to a safe value. A visible flash on the LED might appear, indicating that an overvoltage event has occurred. When the boost output voltage drops to 195V (for a 120V application), or 392V (for a 230V application), the boost stage is enabled if bit BOP_RSTART in register Config54 (see "Configuration 54 (Config54) – Address 86" on page 46) is set to '1', and the system returns to normal operation. If bit BOP_RSTART is set to '0', a boost overvoltage fault is latched and the system stays in the fault mode until the input power is recycled.

5.7 Voltage Clamp Circuit

To keep dimmers conducting and prevent them from misfiring, a minimum power needs to be delivered from the dimmer to the load. This power is nominally around 2W for 230V and 120V TRIAC dimmers. At low dim angles ($\leq 90^\circ$), this excess power cannot be converted into light by the second stage due to the dim mapping at light loads. The boost output voltage V_{BST} can rise above the safe operating voltage of the primary-side bulk capacitor C8.

The CS1630/31 provides active clamp circuitry on the CLAMP pin, as shown in Figure 14.

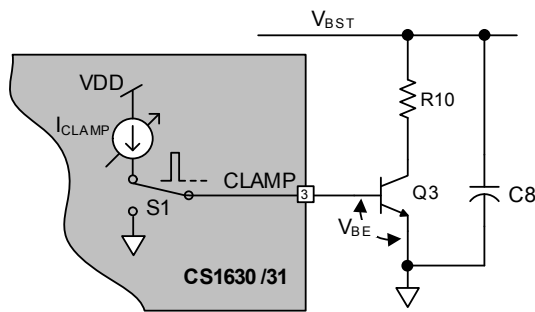


Figure 14. CLAMP Pin Model

A PWM control loop ensures that the boost output voltage V_{BST} does not exceed 227V for 120VAC applications or 424V for 230VAC applications. This control turns on the BJT of the voltage clamp circuit, allowing the clamp circuit to sink current through the load resistor, preventing boost output voltage V_{BST} from exceeding the maximum safe voltage.

5.7.1 Clamp Overpower Protection

The CS1630/31 clamp overpower protection (COP) control logic continuously monitors the turn-on time of the clamp circuit. If the cumulative turn-on time exceeds 84.48ms during the internally generated 1 second window time, a COP event is actuated, disabling the boost and second stages. The clamp circuitry is turned off during the fault event.

5.8 Quasi-resonant Second Stage

The second stage is a quasi-resonant current-regulated DC-DC converter capable of flyback, buck, or tapped buck operation. The second stage output configuration is set by bit S2CONFIG in register Config12 (see "Configuration 12 (Config12) – Address 44" on page 36) and bits BUCK[3:0] in register Config10 (see "Configuration 10 (Config10) – Address 42" on page 35). To deliver the highest possible efficiency, the second stage can operate in quasi-resonant mode and provides constant output current with minimum line-frequency ripple. Primary-side control is used to simplify system design and reduce system cost and complexity.

The digital algorithm ensures monotonic dimming from 0% to 100% of the dimming range with a linear relationship between the dimming signal and the LED current.

Figure 15 illustrates a quasi-resonant flyback stage configured for two-channel parallel output.

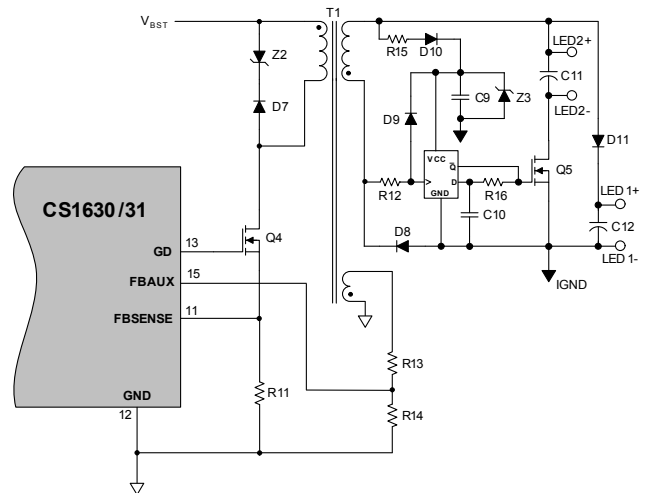


Figure 15. Flyback Parallel Output Model

The flyback stage is controlled by measuring current in the transformer primary and voltage on the auxiliary winding. Quasi-resonant operation is achieved by detecting transformer flyback using an auxiliary winding.

A quasi-resonant buck stage configured for two-channel parallel output is illustrated in Figure 16.

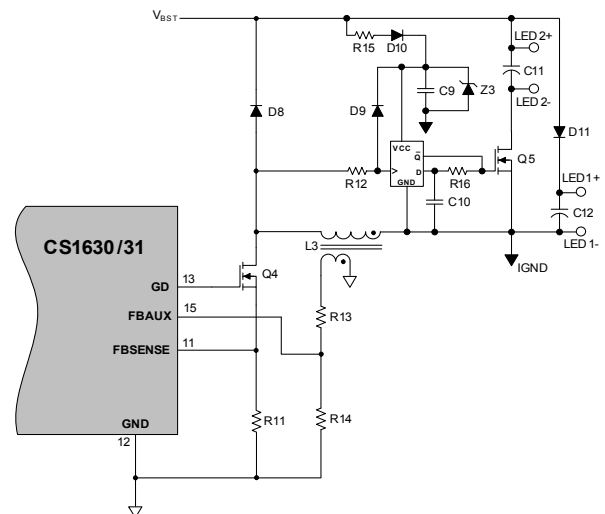


Figure 16. Buck Parallel Output Model

The buck stage is controlled by measuring current in the buck inductor and voltage on the auxiliary winding. Quasi-resonant operation is achieved by detecting buck inductor demagnetization using an auxiliary winding. The digital control algorithm rejects line-frequency ripple created on the second stage input by the front-end boost stage, resulting in the highest possible LED efficiency and long LED life.

The tapped buck stage operates similar to a buck stage. The tapped buck topology provides minimum turn-on time and improves conversion efficiency when large input-to-output voltage ratio is present. The tapped buck inductor behaves as a transformer for voltage conversion and is controlled by measuring current in the tapped inductor and voltage on the auxiliary winding. Quasi-resonant operation is achieved by detecting tapped inductor demagnetization using an auxiliary winding.

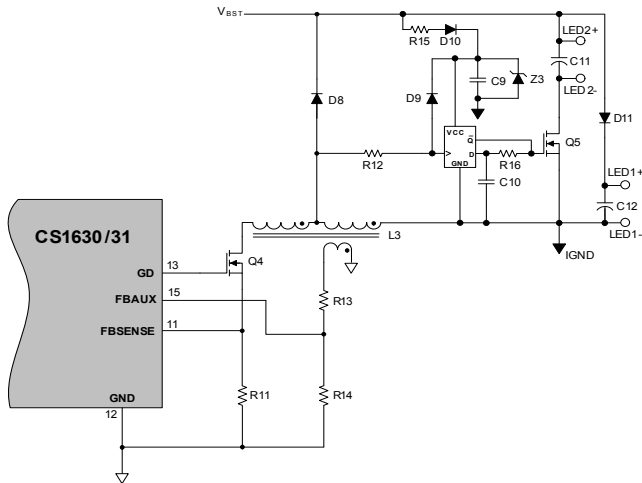


Figure 17. Tapped Buck Parallel Output Model

5.8.1 Series & Parallel Two-Channel Output

The CS1630/31 is designed to be programmed to support series or parallel two-channel output configurations using one set of power magnetics. Series or parallel configuration is set by bit STRING and bit LED_ARG in the Config3 register (see "Configuration 3 (Config3) – Address 35" on page 32). A parallel connection for a flyback stage and buck stage are connected differently: an NMOS switch is used in flyback configuration, and a PMOS switch is used in buck/tapped buck configuration (see Figures 15, 16, and 17).

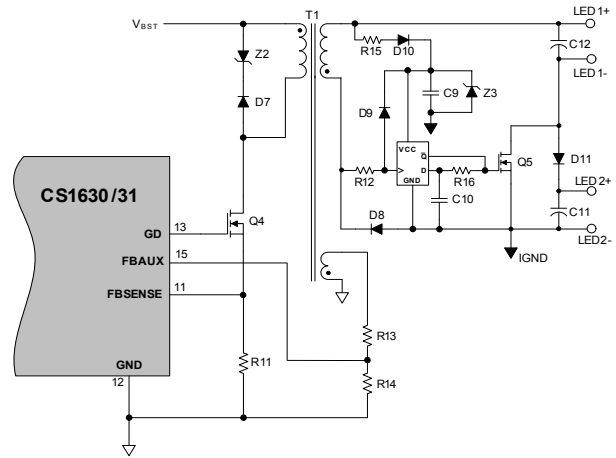


Figure 18. Flyback Series Output Model

Similarly, a series connection in a flyback stage and buck stage use an NMOS switch and a PMOS switch, respectively, as shown in Figures 18 and 19.

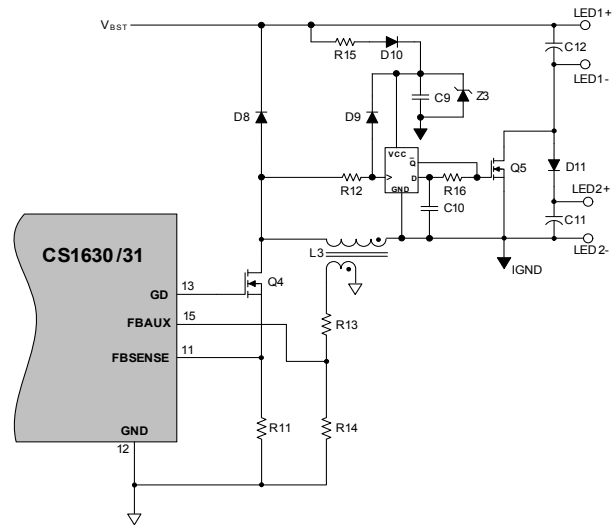


Figure 19. Buck Series Output Model

Figure 20 illustrates the tapped buck stage configured for series output mode.

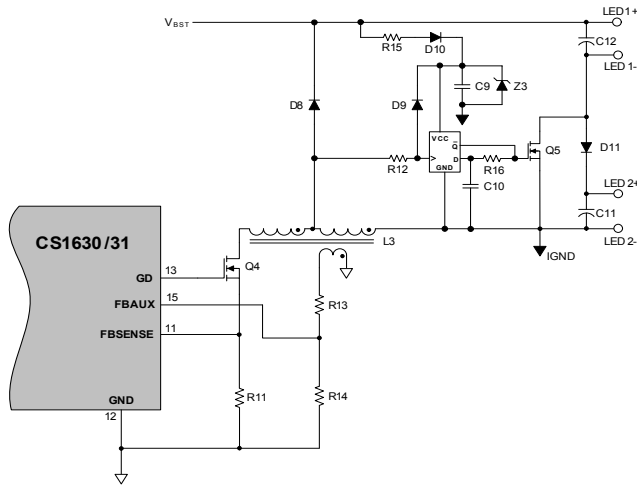


Figure 20. Tapped Buck Series Output Model

To maintain constant output current with minimum line-frequency ripple, the following are required:

- For parallel configurations, a minimum voltage potential difference between two strings
- For series configurations, a minimum current amplitude difference between two strings

5.8.2 Primary-side Current Control for Two-Channel Output

The CS1630/31 regulates two-channel output current independently using primary-side control, which eliminates the need for opto-coupler feedback. The control loop operates in peak current control mode, with the peak current set cycle-by-cycle by the two independent current regulation loops. Demagnetization time of the second stage inductor is sensed by the FBAUX pin using an auxiliary winding on the second stage inductor. The FBAUX pin supplies an input to the digital control loop.

The power conversion for two-channel output is carried out by interleaving the PWM. The two-channel control system consists of two components:

- A toggle device (phase synchronizer circuit) on the secondary side that alternatively activates each output channel for each switching event
- A digital sequencer on the primary side determines which output channel is active for any given switching event

As the output is toggled between each channel, a sequencer on the primary side identifies the current control phase and regulates the current in each output channel. To ensure proper operation for a parallel configuration, the two output channels should target a voltage differential that is greater than 20%. For a series configuration, the two output channels should target a current differential that is greater than 20%.

5.8.3 Auxiliary Winding Configuration

The second-stage inductor auxiliary winding is used for zero-current detection (ZCD) and overvoltage protection (OVP). The auxiliary winding is sensed through the FBAUX pin of the IC.

5.8.4 Control Parameters

The second-stage control parameters are set to assure:

- **Line Regulation** — The LED current remains constant despite a $\pm 10\%$ AC line voltage variation.
- **Effect of Variation in Transformer Magnetizing Inductance** — The LED current remains constant over a $\pm 20\%$ variation in magnetizing inductance.

The FBSENSE input is used to sense the current in the second stage inductor. When this current reaches a certain threshold, the gate drive turns off (output on pin GD).

Two OTP values are required to set the second-stage output currents, CH1CUR for channel 1 and CH2CUR for channel 2 (see "Channel 1 Output Current (CH1CUR) – Address 41" on page 35 and "Channel 2 Output Current (CH2CUR) – Address 43" on page 35). Equations 6 and 7 are used to calculate the values to be programmed into registers CH1CUR and CH2CUR.

$$CH1CUR = \frac{511 \cdot 2 \cdot R_{Sense} \cdot I_{CH1}}{N \cdot V_{Sense}} \quad [Eq. 6]$$

$$CH2CUR = \frac{511 \cdot 2 \cdot R_{Sense} \cdot I_{CH2}}{N \cdot V_{Sense}} \quad [Eq. 7]$$

where,

R_{Sense} = resistance of current sense resistor

V_{Sense} = full scale voltage across sense resistor ($\sim 1.4V$)

I_{CH1} = target current in channel 1 LED string

I_{CH2} = target current in channel 2 LED string

Sense resistor R_{Sense} is determined by the input voltage, switching frequency, auxiliary transformer turns ratio, target output current and output voltage for each channel.

The zero-current detect input on pin FBAUX is used to determine the demagnetization cycle period T_2 . The controller then uses these inputs to control the gate drive output pin GD.

5.8.5 Frequency Dithering

The peak amplitude of switching harmonics can be reduced by spreading the energy into wider spectrums. The frequency dithering level can be managed using bits DITLEVEL[1:0] in register Config61 (see "Configuration 61 (Config61) – Address 93" on page 49). Additionally, the CS1630/31 has an option to enable dithering only in No-dimmer Mode by setting bit DITNODIM to '1'. If output currents differ, the CS1630/31 also has an option to allow for less dither on one of the two channels by selecting the channel using bit DITCHAN. The channel selected for less dither attenuates the dither level by the percentage configured by bits DITATT[1:0].

5.8.6 Output Open Circuit Protection

Output open circuit protection and output overvoltage protection (OVP) are implemented by monitoring the output voltage through the second-stage inductor auxiliary winding. Overvoltage protection is enabled by setting bit OVP to '0' in register Config47 (see "Configuration 47 (Config47) – Address 79" on page 41). If the voltage on the FBAUX pin exceeds a threshold ($V_{OVP(th)}$) of 1.25V during the time the second stage gate drive is turned off and outside of the blanking window configured by bit OVP_TYPE and bits OVP_BLANK[2:0] in register Config50 (see "Configuration 50 (Config50) – Address 82" on page 43), then the OVP event accumulator is incremented by 1 before the start of the next switching cycle. If the OVP comparator threshold is not exceeded during the switching cycle, the event accumulator is decremented by 1. If the event accumulator count exceeds or equals the count set by bits OVP_CNT[2:0] in register Config50 then an OVP fault is declared and enters a fault state.

The fault state is latched if bit OVP_LAT in register Config50 is set high. The OVP fault state is not cleared until the power to the IC is recycled. Otherwise, if bit OVP_LAT is set low, the system is restarted after a specified amount of time configured by using the bit FAULT_SLOW and bits RESTART[5:0] in register Config51 (see "Configuration 51 (Config51) – Address 83" on page 43). The fault behavior during the fault state initiated by this protection depends on the setting for bit FAULT_SHDN in register Config51.

5.8.7 Overcurrent Protection

Overcurrent protection (OCP) is implemented by monitoring the voltage across the second-stage sense resistor. Overcurrent protection is enabled by setting bit OCP to '0' in register Config47 (see "Configuration 47 (Config47) – Address 79" on page 41). If this voltage exceeds a threshold ($V_{OCP(th)}$) of 1.69V during the time the second stage gate drive is turned on' and outside of the blanking window configured by bits OCP_BLANK[2:0] in register Config48 (see "Configuration 48 (Config48) – Address 80" on page 42), then the OCP event accumulator is incremented by 1 after the gate drive turns off. If the OCP comparator threshold is not exceeded during this time, the event accumulator is decremented by 1. If the event accumulator count exceeds or equals the count set by bits OCP_CNT[2:0] in register Config49 (see "Configuration 49 (Config49) – Address 81" on page 42) then an OCP fault is declared and enters a fault state.

The fault state is latched if bit OCP_LAT in register Config49 is set high. The OCP fault state is not cleared until the power to the IC is recycled. Otherwise, if bit OCP_LAT is set low, the system is restarted after a specified amount of time configured by using the bit FAULT_SLOW and bits RESTART[5:0] in register Config51 (see "Configuration 51 (Config51) – Address 83" on page 43). The fault behavior during the fault state initiated by this protection depends on the setting for bit FAULT_SHDN in register Config51.

5.8.8 Open Loop Protection

Open loop protection (OLP) and sense resistor short protection are implemented by monitoring the voltage across the sense resistor. Open loop protection is enabled by setting bit OLP to '0' in register Config47 (see "Configuration 47 (Config47) – Address 79" on page 41). If the voltage on pin FBSENSE does not reach the protection threshold voltage $V_{OLP(th)}$ of 200mV during a 250ns scan period after the second stage gate drive is turned on and the blanking window configured by bits OLP_BLANK[2:0] in register Config48 (see "Configuration 48 (Config48) – Address 80" on page 42) has elapsed, then the OLP event accumulator is incremented by 1. If the OLP comparator threshold is exceeded during this time, the event accumulator is decremented by 1. If the event accumulator count exceeds or equals the count set by bits OLP_CNT[2:0] in register Config49 (see "Configuration 49 (Config49) – Address 81" on page 42) then an OLP fault is declared and enters a fault state.

The fault state is latched if bit OCP_LAT in register Config49 is set high. The OLP fault state is not cleared until the power to the IC is recycled. Otherwise, if bit OLP_LAT is set low, the system is restarted after a specified amount of time configured by using the bit FAULT_SLOW and bits RESTART[5:0] in register Config51 (see "Configuration 51 (Config51) – Address 83" on page 43). The fault behavior during the fault state initiated by this protection depends on the setting for bit FAULT_SHDN in register Config51.

5.9 Overtemperature Protection

The CS1630/31 incorporates an internal overtemperature protection (iOTP) circuit for IC protection and the circuitry required to connect an external overtemperature protection (eOTP) device. Typically, a negative temperature coefficient (NTC) thermistor is used.

5.9.1 Internal Overtemperature Protection

Internal overtemperature protection (iOTP) is activated and power switching devices are disabled when the die temperature of the CS1630/31 exceeds 135°C. A hysteresis of about 7°C occurs before resuming normal operation.

5.9.2 External Overtemperature Protection

The external overtemperature protection (eOTP) pin is used to implement overtemperature protection using an external NTC thermistor R_{NTC} . The total resistance on the eOTP pin is converted to an 8-bit digital 'CODE' (which gives an indication of the temperature) using a digital feedback loop that adjusts the current $I_{CONNECT}$ into the NTC thermistor R_{NTC} and series resistor R_S to maintain a constant reference voltage of 1.25V ($V_{CONNECT(th)}$).

Figure 21 illustrates the functional block diagram when connecting an optional external NTC temperature sensor to the eOTP circuit.

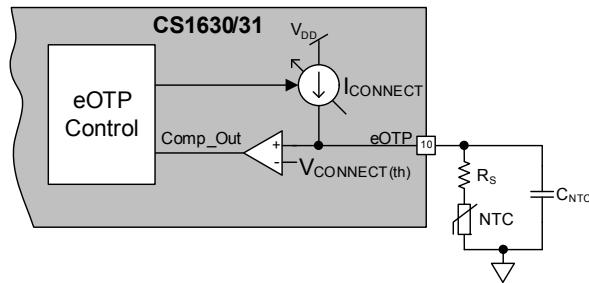


Figure 21. eOTP Functional Diagram

Current I_{CONNECT} is generated from an 8-bit controlled current source with a full-scale current of $80\mu\text{A}$. See Equation 8:

$$I_{\text{CONNECT}} = \frac{V_{\text{CONNECT(th)}}}{R} \quad [\text{Eq. 8}]$$

When the loop is in equilibrium, the voltage on the eOTP pin fluctuates around threshold voltage $V_{\text{CONNECT(th)}}$. The 8-bit digital 'CODE' output by the ADC is used to generate current I_{CONNECT} . In normal operating mode, current I_{CONNECT} is updated once every seventh half line-cycle by a single \pm LSB step. See Equation 9:

$$\text{CODE} \cdot \left[\frac{I_{\text{CONNECT}}}{2^N} \right] = \frac{V_{\text{CONNECT(th)}}}{R_{\text{NTC}} + R_S} \quad [\text{Eq. 9}]$$

Use Equation 9 to solve for the 8-bit digital CODE output. See Equation 10:

$$\begin{aligned} \text{CODE} &= \frac{2^N \cdot V_{\text{CONNECT(th)}}}{I_{\text{CONNECT}} \cdot (R_{\text{NTC}} + R_S)} \\ &= \frac{256 \cdot 1.25\text{V}}{(80\mu\text{A}) \cdot (R_{\text{NTC}} + R_S)} \quad [\text{Eq. 10}] \\ &= \frac{4\text{M}\Omega}{(R_{\text{NTC}} + R_S)} \end{aligned}$$

The tracking range of this ADC is approximately $15.5\text{k}\Omega$ to $4\text{M}\Omega$. The series resistor R_S is used to adjust the resistance of the NTC thermistor R_{NTC} to fall within this ADC tracking range so that the entire 8-bit dynamic range of the ADC is well used. A $14\text{k}\Omega$ ($\pm 1\%$ tolerance) series resistor is required to allow measurements of up to 130°C to be within the eOTP tracking range when using a $100\text{k}\Omega$ NTC thermistor with a Beta of 4334. The eOTP tracking circuit is designed to function accurately with an external capacitance of a maximum of 470pF . A higher 8-bit code output reflects a lower resistance and hence a higher external temperature.

The ADC output code is filtered to suppress noise. This filter is the faster low-pass filter with a programmable time constant configured using bits $\text{EOTP_FLP}[2:0]$ in register Config55 (see "Configuration 55 (Config55) – Address 87" on page 47) and compared against a programmable code value that corresponds to the desired shutoff temperature set point. Shutoff temperature $\text{Temp}_{\text{Shutdown}}$ is set using bits $\text{SHUTDWN}[3:0]$ in register Config58 (see "Configuration 58 (Config58) – Address 90" on page 48). If the temperature exceeds this threshold, the chip enters an external overtemperature state and shuts down. The external overtemperature state is not a latched protection state, and the ADC keeps tracking the temperature in this state in order to clear the fault state once the temperature drops below a temperature code corresponding to temperature $\text{Temp}_{\text{Wakeup}}$ programmed using bits $\text{WAKEUP}[3:0]$ in register Config46 (see "Configuration 46 (Config46) – Address 78" on page 40). When exiting reset, the chip enters startup and the ADC quickly ($<5\text{ms}$) tracks the external temperature to check if it is below the temperature $\text{Temp}_{\text{Wakeup}}$ reference code ($\text{CODE}_{\text{Wakeup}}$) before the boost and second stages are powered up. If this check fails, the chip will wait until this condition becomes true before initializing the rest of the system.

For external overtemperature protection, a second low-pass filter with a programmable time constant of 2 minutes is configured using bits $\text{EOTP_SLP}[2:0]$ in register Config55 (see "Configuration 55 (Config55) – Address 87" on page 47). The filter is applied to the ADC output and uses it to scale down the internal dim level of the system (and hence current I_{LED}) if the temperature exceeds a programmable 8-bit threshold that corresponds to temperature $\text{Temp}_{\text{eOTP}}$ (see Figure 22. on page 21). The large time constant for this filter ensures that the dim scaling does not happen spontaneously (suppress spurious glitches) and is not noticeable. Temperature thresholds must be set such that $\text{Temp}_{\text{eOTP}} < \text{Temp}_{\text{Wakeup}} < \text{Temp}_{\text{Shutdown}}$. Register Config59 sets temperature $\text{Temp}_{\text{eOTP}}$ (see "Configuration 59 (Config59) – Address 91" on page 48). Register Config46 sets temperature $\text{Temp}_{\text{Wakeup}}$ (see "Configuration 46 (Config46) – Address 78" on page 40). Register Config58 sets temperature $\text{Temp}_{\text{Shutdown}}$ (see "Configuration 58 (Config58) – Address 90" on page 48).

For example, the system can be set up such that current I_{LED} starts reducing when thermistor R_{NTC} is approximately $6.3\text{k}\Omega$ (assuming a $14\text{k}\Omega$, $\pm 1\%$ tolerance, series resistor R_S), which corresponds to a temperature of 95°C (temperature $\text{Temp}_{\text{eOTP}}$ code is 196) for a $100\text{k}\Omega$ NTC with a Beta of 4334 (100kW at 25°C). The I_{LED} current is scaled based on the programmed slope using bits $\text{RATE}[1:0]$ in register Config44 (see "Configuration 44 (Config44) – Address 76" on page 39) until it reaches temperature $\text{Temp}_{\text{Shutdown}}$. The CS1630/31 uses this calculated value to scale output LED current I_{LED} , as shown in Figure 22. on page 21.

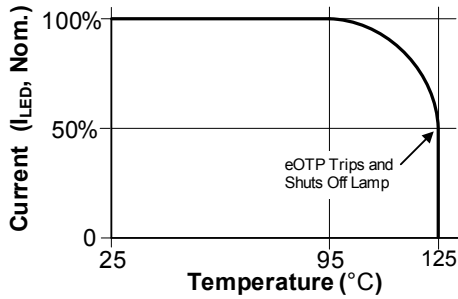


Figure 22. LED Current vs. eOTP Temperature

Beyond this temperature, the IC shuts down using the mechanism discussed above.

If the external overtemperature protection and the temperature compensation for CCT control features are not required, connect the eOTP pin to GND using a 50kΩ to 500kΩ resistor to disable the eOTP feature so that the programmed temperatures Temp_{WakeUp} and Temp_{Shutdown} codes are greater than the measured 8-bit code corresponding to the total resistance on pin eOTP.

5.10 Power Line Calibration

The CS1630/31 integrates power line calibration technology within the controller to enable calibration and end-of-line programming without the need for an additional electrical connection, as shown in Figure 23.

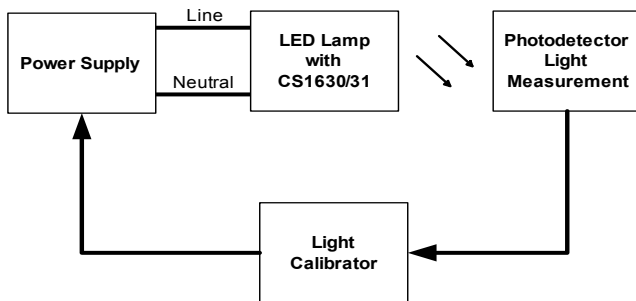
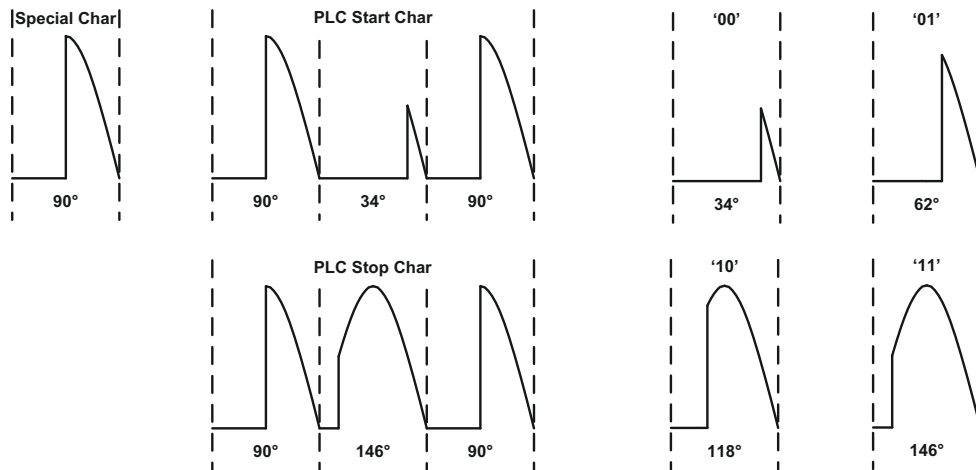


Figure 23. Power Line Calibration Block Diagram

The power line calibration uses a phase-cut mechanism for data generation and return-to-zero data encoding to eliminate the need for clock synchronization. A code/command can be created by using the combination of input phase angles, as detailed in "Power Line Calibration Characteristics" on page 9. When an initial program mode command has been detected, the controller will begin to enter calibration mode. After key parameters of the lighting system have been characterized and programmed, a burn-in code plus an end-program mode command is transmitted, instructing the controller to exit the calibration mode. Power line calibration and end-of-line programming requires no human intervention. The CS1630/31 provides registers that allow up to three attempts for LED output current trimming over power line calibration. Six registers store the three optional color control system calibration values for channel 1 color calibration and channel 2 color calibration. For more detail regarding color calibration, see "Channel 1 Color Calibration 3A (CH1_CAL3A) – Address 119" on page 51 through "Channel 2 Color Calibration 3C (CH2_CAL3C) – Address 126" on page 53.

5.10.1 Power Line Calibration Specification

To ensure the success of phase detection, the angle for each bit is specified as shown in "Power Line Calibration Characteristics" on page 9. The CS1630/31 power line calibration system operates under universal line voltage and frequency with a leading-edge, phase-cut waveform.


Figure 24. Power Line Calibration Mode Character Waveforms

5.10.2 PLC Program Mode Characters

In order to program the CS1630/31, a set of encoded characters is built from specific phase-cut waveform patterns. Figure 24 illustrates the phase-cut waveform encoding recognized by the CS1630/31 power line calibration system. As shown in Table 1, six characters are formed using the special character and two-bit encoded data.

Character	Code	Notes
Start Char	(SC)00(SC)	PLC Program Start Character ⁽¹⁾
Stop Char	(SC)11(SC)	PLC Program Stop Character ⁽¹⁾
Duo-bit '00'	00	2-bit Data [00]
Duo-bit '01'	01	2-bit Data [01]
Duo-bit '10'	10	2-bit Data [10]
Duo bit '11'	11	2-bit Data [11]

Note: (1) A Special Character (SC) must precede and follow the Duo-bit.

Table 1. Power Line Calibration Characters

5.10.3 Calibration Mode Operation Code

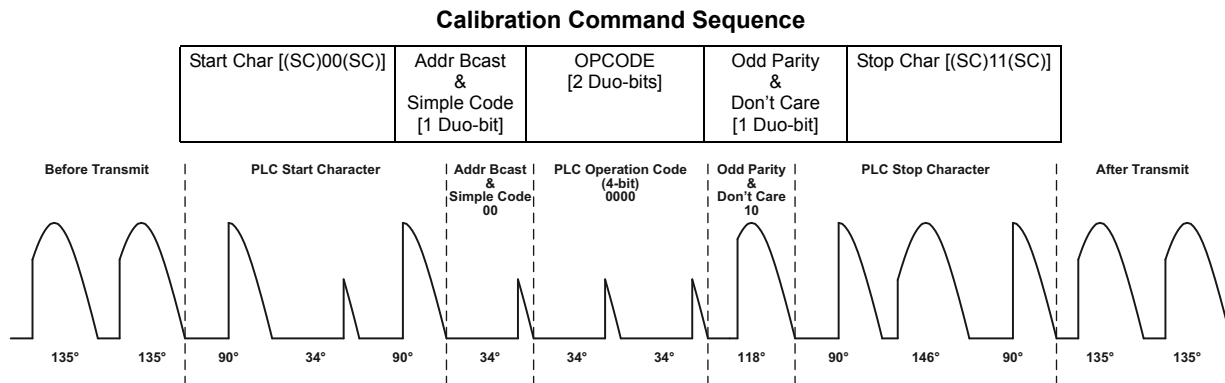
The CS1630/31 power line calibration system requires a start and stop operation code to activate and deactivate power line calibration mode. Once in the power line calibration mode, operation codes (OPCODE) will be used to program specific addresses using the OPCODE listed in Table 2.

Name	OPCODE	Description
NOP	0000	No Operation
INIT_PROG_MODE	0001	Initialize program mode ⁽¹⁾
I2C_WRITE	0010	Perform a generic I ² C write
	0011	Reserved
BURN_OTP	0100	Initiate an OTP write cycle ⁽³⁾
STR1_OFFSET	0101	Write String 1 offset ⁽²⁾
STR2_OFFSET	0110	Write String 2 offset ⁽²⁾
WRITE_CRC	0111	Write CRC value
END_PROG_MODE	1000	Disable programming mode
WRITE_DIM	1001	Sets PLC dim value

Notes: (1) Allows other commands to program the device under test.
 (2) Range of Offset tolerance is ±15%.
 (3) The light is flashed to indicate pass or fail.

Table 2. Power Line Calibration Operation Code

The LED light flashes seven times to indicate a command error. The LED flashes two times when OTP registers are programmed successfully and four times when programming is unsuccessful. Figure 25 illustrates an example of a power line calibration mode command sequence and the cut-waveform pattern.


Figure 25. Power Line Calibration Mode Example

5.10.4 Register Lockout

The CS1630/31 provides register lockout for security against unauthorized access to proprietary registers using the I²C or PLC communication port. A 32-bit long-word is used for password protection when accessing the OTP registers. The register lockout password can be set by programming the Lockout Key registers (see "Lockout Key (LOCK0, LOCK1, LOCK2, LOCK3) – Address 1 - 4" on page 29). Register lockout is enabled by setting bit LOCKOUT in register Config0 (see "Configuration 0 (Config0) – Address 0" on page 29).

5.11 I²C™ Communication Interface

The purpose of the communication system is to provide a mechanism to allow the transfer of data and accessibility to the device. Pins SDA and SCL are an I²C communication port used to provide access to control registers inside the EXL core. In applications that do not use I²C communication, pins SDA and SCL should be connected to VDD. When SDA and SCL are connected to VDD, read/write register values are controlled internally by the EXL core.

A one-time programmable (OTP) memory is implemented as part of the communication system to store trim and key parameters. After power-on reset (POR), the OTP memory is uploaded into shadow registers as part of startup, and a cyclic redundancy check (CRC) is calculated and checked on the data read from the OTP memory. If the computed CRC does not match the CRC value saved in the OTP memory, default values are used for some of the parameters. Shadow registers can be written using the I²C interface. In order to write to or read from the I²C port, a defined messaging protocol must be implemented.

The OTP memory is organized as 128 addressable bytes (8 bits). The contents of the OTP memory are read at reset and are addressable by the I²C interface. The shadow register values are used to control the internal operational parameters of the IC and can be modified. However, in the event of a POR or any kind of reset, the shadow registers will be rewritten with the OTP memory content. In the event that a CRC verification fails during normal operation, the registers will be rewritten with OTP memory content, negating any changes that have been made to the shadow registers.

The CRC is verified after the OTP memory has been uploaded at POR, periodically during the operation of the IC, and at the

exit of Control Port mode. The CRC can be disabled by writing to the CRC disable register, or by enabling the Control Port mode (see "Control Port Enable" on page 24). The shadow registers will be restored from OTP memory on a POR event, or any reset type event. The CRC is calculated using Equation 11.

$$CRC = CRC \div (x^8 + x^2 + x + 1) \quad [Eq.11]$$

The CRC calculation is implemented in hardware using a linear feedback shift register starting with address 0 and ending with address 57 (see Figure 26). The current CRC is stored in address 63.

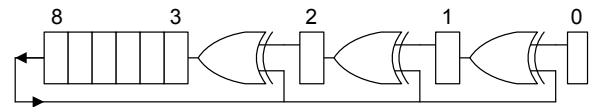


Figure 26. CRC Hardware Representation

To perform a successful write to the OTP memory, the CRC must be calculated and stored in the CRC registers prior to issuing the OTP write command. OTP memory can only be written once. OTP shadow registers accessible to the user are described in "One-Time Programmable (OTP) Registers" on page 27.

5.11.1 I²C Control Port Protocol

The communication port is designed to allow a master device to read and write the OTP shadow registers of the CS1630/31 and the capability of programming the OTP memory using the data in the shadow registers. The OTP shadow registers provide a mechanism for configuring the device and calibrating the system prior to programming the device. The CS1630/31 communication port physical layer adheres to the I²C bus specification by Philips Semiconductor version 2.1, January 2000 (see "I²C™ Port Switching Characteristics" on page 8). The CS1630/31 control port only supports I²C slave functionality. The CS1630/31 I²C interface is intended for use with a single master and no other slaves on the bus.

Figure 27 illustrates the frame format used for I²C data transfers. The first bit is a Start condition (bit S) followed by an 8-bit slave address that is comprised of a 7-bit device address plus a Read/Write (R/W) bit. The R/W bit is the least significant bit of the slave address byte, which indicates

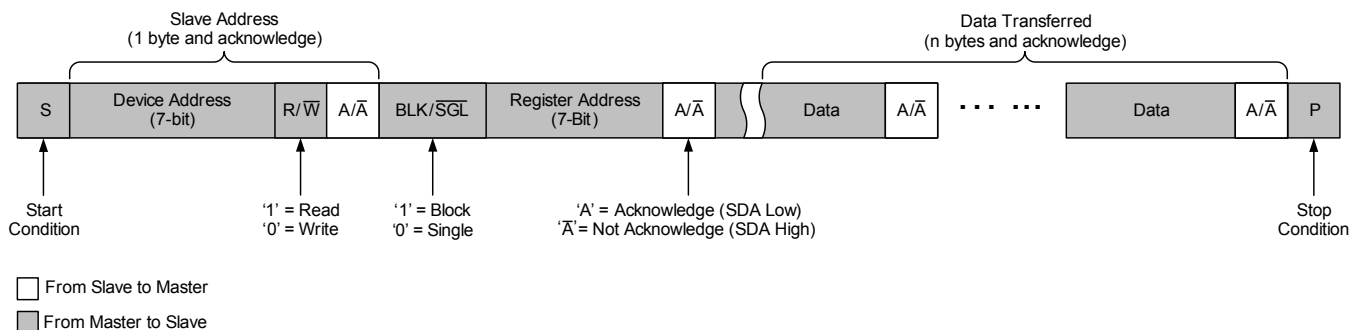


Figure 27. I²C Frame Format

whether data transfer is a read or write operation. This bit should be set to '0' to perform a write operation and '1' to perform a read operation. The 7-bit device address is the 7 most significant bit of the slave address. For data transfers, the CS1630/31 acknowledges a binary device address of '0010000', which is reserved for accessing OTP shadow registers (see "One-Time Programmable (OTP) Registers" on page 27).

After the 7-bit device address is received, the Control Port performs a compare to determine if it matches the CS1630/31 device address. If the compare is true, the Control Port will respond with an Acknowledge (bit A) and prepares the device for a read or write operation. The final bit is the Stop condition (bit P), which is sent by the master to finish a data transfer.

The communication port supports single and block data transfers. The block read or write capability is available by setting the MSB of the register address to '1'. Device address 0x10 provides access to the OTP shadow registers in the address range of 0x00 to 0x7F.

5.11.2 Control Port Enable

Control Port mode is enabled and initiated by transmitting a two-byte hardware pass code using an I²C block write.

To enable the control port, the master needs to write a Start condition followed by a slave address of 0x22 (7 MSB device address = '0010001' and the LSB R/W = '0' for a write operation). Then a 0x81 (MSB BLK/SGL = '1' and 7 LSB register address = '0000001') followed by two bytes of data 0xF4 and 0x4F, ending the transmission with a Stop condition.

Once in Control Port mode, the CS1630/31 can be configured to perform color calibration functions and program the OTP memory. Several other system configuration tasks can be performed by writing and reading the shadow registers using the I²C port.

5.11.3 Read Operation

To enter a read operation, the master must set up the Control Port by writing a Start condition, the 7-bit device address, the

R/W bit, the Block/Single (BLK/SGL) bit, and the 7-bit shadow register address. The master can then perform a read operation to retrieve the required bytes from the shadow registers. Figure 28 illustrates the protocol for a single and block read operation.

To perform a single shadow register read, a write to the Control Port must be used to set up the shadow register address and the BLK/SGL configuration bit (indicating a single read operation). To enter a single read operation, a Start condition followed by a slave address of 0x20 (7 MSB device address = '0010000' and the LSB R/W = '0' for a write operation) is sent at the start of the message. The MSB of the second byte is cleared to '0' to indicate a single byte read. The remaining 7 bits of the second byte represent the shadow register address of the read operation. To perform the single read operation, a Start condition followed by a slave address of 0x21 (7 MSB device address = '0010000' and the LSB R/W = '1' for a read operation) is sent at the start of the operation. After receiving the byte of data, the master should terminate the message by sending a Not Acknowledge followed by a Stop condition. The protocol for a single read operation is illustrated by the top frame in Figure 28.

To enter a block read operation, the master must set up the Control Port by writing a Start condition followed by a slave address of 0x20 (7 MSB device address = '0010000' and the LSB R/W = '0' for a write operation) at the start of the message. The MSB of the second byte is set to '1' to indicate a block read. The remaining 7 bits of the second byte represent the starting shadow register address of the read operation. To perform the block read operation, a Start condition followed by a slave address of 0x21 (7 MSB device address = '0010000' and the LSB R/W = '1' for a read operation) is sent at the start of the operation. The slave continues to send data bytes until the master sends a Not Acknowledge followed by a Stop condition, signifying the end of the block read operation. The protocol for a block read operation is illustrated by the bottom frame in Figure 28.

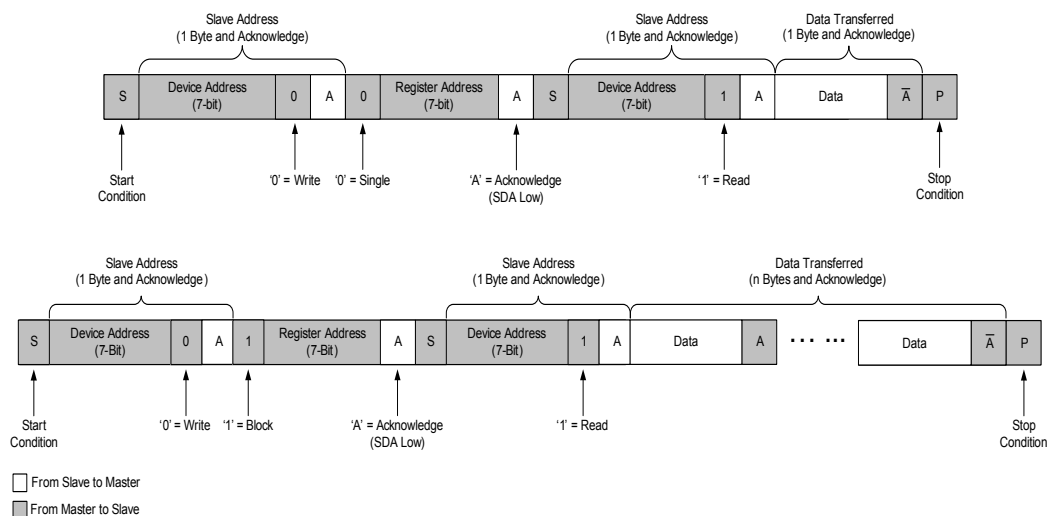


Figure 28. Frame Formats for Read Operation

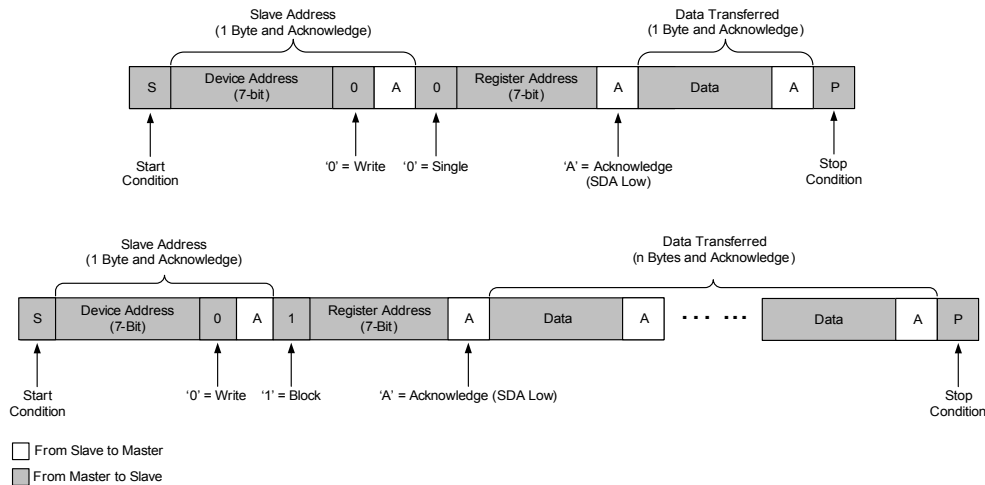


Figure 29. Frame Formats for Write Operation

5.11.4 Write Operation

To perform a write operation, the master must write the 7-bit device address, the R/W bit, the BLK/SGL bit, and the 7-bit shadow register address. The master can then write the required bytes to the shadow registers. Figure 29 illustrates protocol for a single and block write operation.

To perform a single shadow register write, a write to the Control Port must be used to set up the shadow register address and the BLK/SGL configuration bit (indicating a single write operation). To initiate a single write operation, a Start condition followed by a slave address of 0x20 (7 MSB device address = '0010000' and the LSB R/W = '0' for a write operation) is sent at the start of the message. The most significant bit of the second byte is cleared to '0' to indicate a single byte write. The remaining 7 bits of the second byte represent the shadow register address of the write operation. After receiving the Acknowledge from the Control Port, the master should terminate the message by sending a Stop condition. The protocol for a single write operation is shown as the top frame in Figure 29.

To initiate a block write operation, a Start condition followed by a slave address of 0x20 (7 MSB device address = '0010000' and the LSB R/W = '0' for a write operation) is sent at the start of the message. The MSB of the second byte is set to '1' to indicate a block write. The remaining 7 bits of the second byte represent the starting shadow register address of the write operation. The slave continues to send data bytes until the master sends a Stop condition after receiving the Acknowledge, signifying the end of the block write message. The protocol for a block write operation is illustrated by the bottom frame in Figure 29. Block writes will wrap around from shadow register address 127 to 0 if a Stop condition is not received.

5.11.5 Customer I²C Lockout

The CS1630/31 provides a mechanism that locks or disables the I²C control port. This feature provides security against potential access to proprietary register settings and OTP memory (color compensation) through the I²C control port. To enable the lockout feature, the LOCKOUT bit is set to '1' in the Config0 register (see "Configuration 0 (Config0) – Address 0" on page 29) and setting a 32-bit Lockout Key in registers LOCK3, LOCK2, LOCK1, and LOCK0 (at register address 0x01 to 0x04). The value of the Lockout Key is user programmable and stored in OTP memory (see "Lockout Key (LOCK0, LOCK1, LOCK2, LOCK3) – Address 1 - 4" on page 29).

To unlock the Control Port, the proper programmed Lockout Key is written to the 32-bit Lockout Key shadow registers LOCK3, LOCK2, LOCK1, and LOCK0. The Lockout Key must be written in ascending address order for the lockout to be disabled. The MODE bit in register Config0 is set to '1', the Color Polynomial Coefficient registers P10_MSB, P10_LSB, P01_MSB, and P01_LSB (at register address 0x09, 0x0A, 0x0F, and 0x10) are appended to the Lockout Key to increase security. If the wrong Lockout Key is written to the shadow registers when attempting to disable the lockout feature, the part cannot be unlocked until a reset cycle occurs.

In lockout mode, the Control Port disables the following operations through the I²C communication port:

- I²C read operations from OTP shadow registers (value of 0x0 will be read through control port)
- I²C write operations to lockout enabled or key shadow registers (including read operations through PLC)
- Direct OTP memory read or write (including reads/writes through PLC)

Write operations to either OTP or test space (except OTP Lockout Key) are allowed in lockout mode.

5.12 OTP Memory

At startup, the contents of the OTP memory are read into shadow registers that make up a register file. Access to the OTP memory values is accomplished by reading and writing to the OTP corresponding address locations in that register file. To program the part, each unprogrammed address location must be filled with an appropriate value. Next, a CRC is calculated corresponding to the OTP space that is being programmed. Lastly, two special registers are written to initiate a burn/program cycle.

5.12.1 Programming the OTP Memory

When the CS1630/31 is shipped, some of the OTP memory will already be programmed. Do not clear any bits to '0' that are programmed to '1', and do not modify any registers or bits that are reserved. Changing bits from '1' to '0' before attempting programming is likely to result in an unrecoverable CRC error, and changes to reserved bits may have detrimental effects on behavior.

Step 1 Write Register and Bit Values

Write the desired values to the OTP shadow register address locations. All reads and writes are performed with I²C communication using device address 0x10.

Step 2 Enable Programming

Set the CRC bit to '1' in register Config38 (see "Configuration 38 (Config38) – Address 70" on page 39). Setting CRC = '1' activates the use of the CRC_TAG register at address 0x66 (see "CRC Tag (CRC_TAG) – Address 102" on page 50).

Step 3 Compute the CRC

Compute the CRC value of registers located at address 0x0 to 0x5F, including all factory-programmed registers and bits. Write this calculated CRC value to the CRC_TAG register at address 0x66.

Step 4 Initiate a Program Cycle

To enable OTP memory programming, the master needs to write a Start condition followed by a slave address of 0x22 (7 MSB device address = '0010001' and the LSB R/W = '0' for a write operation). Then a 0x79 (MSB BLK/SGL = '0' and 7 LSB register address = '1111001') followed by one byte of data 0x73, ending the transmission with a Stop condition.

To initiate the program cycle, the master needs to write a Start condition followed by a slave address of 0x22 (7 MSB device address = '0010001' and the LSB R/W = '0' for a write operation). Then a 0x72 (MSB BLK/SGL = '0' and 7 LSB register address = '1110010') followed by one byte of data 0x90, ending the transmission with a Stop condition. The program cycle takes approximately 35ms.

Step 5 Check OTP Program Status

To check if the program cycle completed successfully, the master needs to write a Start condition followed by a slave address of 0x23 (7 MSB device address = '0010001' and the LSB R/W = '1' for a read operation). Then write a 0x59 (MSB BLK/SGL = '0' and 7 LSB register address = '1011001'). After the acknowledge is received, the master needs to read the 8-bit OTP Program Status register, ending the transmission with a Stop condition.

If bit 4 of the Program Status register is set to '1' then the OTP write has finished. If bit 4 of the Program Status register is not set to '1', after the 35ms program cycle is complete, then a CRC error likely occurred, or the program cycle was not started properly.

Step 6 OTP Verification Check

Cycle the power to the CS1630/31. The OTP memory is uploaded to the shadow registers. To check if the program cycle was successful, the master needs to write a Start condition followed by a slave address of 0x23 (7 MSB device address = '0010001' and the LSB R/W = '1' for a read operation). Then write a 0x7C (MSB BLK/SGL = '0' and 7 LSB register address = '1111100'). After the acknowledge is received, the master needs to read the 8-bit OTP Verification register, ending the transmission with a Stop condition bit (P).

If the value in the 8-bit OTP Verification register is 0x01, then the program process failed to execute properly. If the 8-bit value is 0x00 then use a read operation to verify that the values in the shadow registers match what was written to the shadow registers in Step 1. If the values do not match, then it is likely the OTP program process was not performed due to an error when calculating the CRC or the CRC bit in the Config38 register was not set to '1'. Verify that all bits read from the shadow register match the bits prior to starting the program process and start at Step 1 to perform the OTP program process.

6. ONE-TIME PROGRAMMABLE (OTP) REGISTERS

6.1 Registers Map

<u>Address</u>	<u>RA[7:0]</u>	<u>Name</u>	<u>Description¹</u>
0	0x00	Config0	Configuration 0
1	0x01	LOCK3	Lockout Key[31:24]
2	0x02	LOCK2	Lockout Key[23:16]
3	0x03	LOCK1	Lockout Key[15:8]
4	0x04	LOCK0	Lockout Key[7:0]
5	0x05	P30_MSB	Color Polynomial Coefficient P30[15:8]
6	0x06	P30_LSB	Color Polynomial Coefficient P30[7:0]
7	0x07	P20_MSB	Color Polynomial Coefficient P20[15:8]
8	0x08	P20_LSB	Color Polynomial Coefficient P20[7:0]
9	0x09	P10_MSB	Color Polynomial Coefficient P10[15:8]
10	0x0A	P10_LSB	Color Polynomial Coefficient P10[7:0]
11	0x0B	P03_MSB	Color Polynomial Coefficient P03[15:8]
12	0x0C	P03_LSB	Color Polynomial Coefficient P03[7:0]
13	0x0D	P02_MSB	Color Polynomial Coefficient P02[15:8]
14	0x0E	P02_LSB	Color Polynomial Coefficient P02[7:0]
15	0x0F	P01_MSB	Color Polynomial Coefficient P01[15:8]
16	0x10	P01_LSB	Color Polynomial Coefficient P01[7:0]
17	0x11	P21_MSB	Color Polynomial Coefficient P21[15:8]
18	0x12	P21_LSB	Color Polynomial Coefficient P21[7:0]
19	0x13	P12_MSB	Color Polynomial Coefficient P12[15:8]
20	0x14	P12_LSB	Color Polynomial Coefficient P12[7:0]
21	0x15	P11_MSB	Color Polynomial Coefficient P11[15:8]
22	0x16	P11_LSB	Color Polynomial Coefficient P11[7:0]
23	0x17	P00_MSB	Color Polynomial Coefficient P00[15:8]
24	0x18	P00_LSB	Color Polynomial Coefficient P00[7:0]
25	0x19	Q3_MSB	Color Polynomial Coefficient Q3[15:8]
26	0x1A	Q3_LSB	Color Polynomial Coefficient Q3[7:0]
27	0x1B	Q2_MSB	Color Polynomial Coefficient Q2[15:8]
28	0x1C	Q2_LSB	Color Polynomial Coefficient Q2[7:0]
29	0x1D	Q1_MSB	Color Polynomial Coefficient Q1[15:8]
30	0x1E	Q1_LSB	Color Polynomial Coefficient Q1[7:0]
31	0x1F	Q0_MSB	Color Polynomial Coefficient Q0[15:8]
32	0x20	Q0_LSB	Color Polynomial Coefficient Q0[7:0]
33	0x21	GD_DUR	Gate Drive Duration
34	0x22	Config2	Configuration 2
35	0x23	Config3	Configuration 3
36	0x24	Config4	Configuration 4
37	0x25	S2DIM	Second Stage Dim
38	0x26	TTMAX	Maximum TT
39	0x27	Config7	Configuration 7
40	0x28	Config8	Configuration 8
41	0x29	CH1CUR	Channel 1 Output Current
42	0x2A	Config10	Configuration 10
43	0x2B	CH2CUR	Channel 2 Output Current
44	0x2C	Config12	Configuration 12
45	0x2D	PID	PU Coefficient
46	0x2E	TTFREQ	Maximum Switching Frequency
47	0x2F	Config15	Configuration 15
48	0x30	Config16	Configuration 16

49	0x31	Config17	Configuration 17
50	0x32	Config18	Configuration 18
51	0x33	PEAK_CUR	Peak Current
....	-	Reserved
70	0x46	Config38	Configuration 38
....	-	Reserved
76	0x4C	Config44	Configuration 44
77	0x4D	Config45	Configuration 45
78	0x4E	Config46	Configuration 46
79	0x4F	Config47	Configuration 47
80	0x50	Config48	Configuration 48
81	0x51	Config49	Configuration 49
82	0x52	Config50	Configuration 50
83	0x53	Config51	Configuration 51
84	0x54	Config52	Configuration 52
85	0x55	Config53	Configuration 53
86	0x56	Config54	Configuration 54
87	0x57	Config55	Configuration 55
88	0x58	-	
89	0x59	PLC_DIM	PLC Dim
90	0x5A	Config58	Configuration 58
91	0x51	Config59	Configuration 59
92	0x52	Config60	Configuration 60
93	0x53	Config61	Configuration 61
94	0x54	Config62	Configuration 62
....	-	Reserved
102	0x66	CRC_TAG	CRC Tag
....	-	Reserved
119	0x77	CH1_CAL3A	Channel 1 Color Calibration 3A
120	0x78	CH2_CAL3A	Channel 2 Color Calibration 3A
121	0x79	CRC_MTAG3A	CRC Tag 3A
122	0x7A	CH1_CAL3B	Channel 1 Color Calibration 3B
123	0x7B	CH2_CAL3B	Channel 2 Color Calibration 3B
124	0x7C	CRC_MTAG3B	CRC Tag 3B
125	0x7D	CH1_CAL3C	Channel 1 Color Calibration 3C
126	0x7E	CH2_CAL3C	Channel 2 Color Calibration 3C
127	0x7F	CRC_MTAG3C	CRC Tag 3C

Note: (1) Warning: *Do not* write to unpublished or reserved register locations.

6.2 Configuration 0 (Config0) – Address 0

7	6	5	4	3	2	1	0
-	-	-	-	-	-	MODE	LOCKOUT

Number	Name	Description
[7:2]	-	Reserved
[1]	MODE	Appends two of the color system coefficients (P01 followed by P10) to the 32-bit lockout key to make it a 64-bit key from a 32-bit key to increase security. 0 = 32-bit key 1 = 64-bit key
[0]	LOCKOUT	Configures the IC lockout security mechanism by using Lockout Key. 0 = Disable 1 = Enable

6.3 Lockout Key (LOCK0, LOCK1, LOCK2, LOCK3) – Address 1 - 4

MSB	30	29	28	27	26	25	24	6	5	4	3	2	1	LSB
2^{31}	2^{30}	2^{29}	2^{28}	2^{27}	2^{26}	2^{25}	2^{24}	2^6	2^5	2^4	2^3	2^2	2^1	2^0

Lockout Key is a 32-bit long-word used for password protection when accessing the OTP registers. Register LOCK0 is the least significant byte of the Lockout Key, and register LOCK3 is the most significant byte of Lockout Key. Register LOCK2 is the byte to the right of LOCK3, and register LOCK1 is the byte to the left of LOCK0. To access the OTP registers on an IC with a lockout mechanism that has been enabled, see “Customer I²C Lockout” on page 25.

6.4 Color Polynomial Coefficient (P30, P20, P10, P03, P02, P01, P21, P12, P11, P00) – Address 5 - 24

MSB	14	13	12	11	10	9	8	7	6	5	4	3	2	1	LSB
$-(2^3)$	2^2	2^1	2^0	2^{-1}	2^{-2}	2^{-3}	2^{-4}	2^{-5}	2^{-6}	2^{-7}	2^{-8}	2^{-9}	2^{-10}	2^{-11}	2^{-12}

Color polynomial coefficients used to calculate the gain ($GAIN_{DTR}$) that controls the current in the color LED channel based on temperature drift and current dim level. The value is a two's complement number in the range of $-8.0 \leq \text{value} < 8.0$, with the binary point to the right of bit 12. The gain polynomial is:

$$GAIN_{DTR} = P30 \cdot T^3 + P20 \cdot T^2 + P10 \cdot T + P03 \cdot D^3 + P02 \cdot D^2 + P01 \cdot D + P21 \cdot T^2 \cdot D + P12 \cdot T \cdot D^2 + P11 \cdot T \cdot D + P00$$

where,

T = the measured normalized temperature and is $0 \leq T < 1.0$

D = the normalized dim value and is $0 \leq D < 1.0$

$GAIN_{DTR}$ = gain of the channel based on the temperature measurement and the dim value. The polynomial coefficients should be selected such that the computed $GAIN_{DTR}$ is always a positive number in the range of $0 \leq GAIN_{DTR} < 4$.

Color Polynomial Coefficients, Pxx, are 16 bits in length where Pxx-MSB is the most significant byte and Pxx-LSB is the least significant byte.

6.5 Color Polynomial Coefficient (Q3, Q2, Q1, Q0) – Address 25 - 32

MSB	14	13	12	11	10	9	8	7	6	5	4	3	2	1	LSB
$-(2^3)$	2^2	2^1	2^0	2^{-1}	2^{-2}	2^{-3}	2^{-4}	2^{-5}	2^{-6}	2^{-7}	2^{-8}	2^{-9}	2^{-10}	2^{-11}	2^{-12}

Coefficients of the color polynomial used to calculate the gain ($GAIN_{DR}$) that controls the current in the white LED channel based on the current dim level. The value is a two's complement number in the range of $-8.0 \leq \text{value} < 8.0$, with the binary point to the right of bit 12. Coefficients Q3, Q2, Q1, and Q0 are distributed in the gain polynomial:

$$GAIN_{DR} = (Q3 \cdot D^3) + Q2 \cdot D^2 + Q1 \cdot D + Q0$$

where,

D = the normalized dim value and is $0 \leq D < 1.0$

$GAIN_{DR}$ = gain of the channel based on the dim value. The polynomial coefficients should be selected such that the computed $GAIN_{DR}$ is always a positive number such that $0 \leq GAIN_{DR} < 4$.

Color Polynomial Coefficients, Qxx, are 16-bits in length where Qxx-MSB is the most significant byte and Qxx-LSB is the least significant byte.

6.6 Gate Drive Duration (GD_DUR) – Address 33

7	6	5	4	3	2	1	0
2^7	2^6	2^5	2^4	2^3	2^2	2^1	2^0

GD_DUR sets the maximum gate drive duration for the second stage (flyback, buck, or tapped buck). The register value is an unsigned integer in the range of $0 \leq \text{value} \leq 255$. The maximum gate drive duration is determined by:

$$((GD_DUR \cdot 8) + 7) \cdot 50\text{ns}$$

The maximum gate drive duration can be configured from 350ns to 102.35 μ s.

6.7 Configuration 2 (Config2) – Address 34

7	6	5	4	3	2	1	0
CLAMP1	CLAMP0	T2COMP	-	-	-	VALLEYSW	-

Number	Name	Description
[7:6]	CLAMP[1:0]	<p>Configures the offset adjustment for the minimum measurable peak current level on the second stage sense resistor when the gate drive is turned on. CLAMP[1:0] is an unsigned integer in the range of $0 \leq \text{value} \leq 3$. The voltage on the FBSENSE pin that corresponds to the minimum peak current is calculated using the following formula:</p> $1.4 \cdot \left(\frac{(((\text{IPEAK}[2:0] + 1) \cdot 16) + 15) - ((\text{CLAMP}[1:0] \cdot 8) + 8)}{512} \right)$
[5]	T2COMP	<p>Configures T2 measurement compensation for second stage flyback designs with a large delay between the fall of the primary current and the rise of the secondary current during the switching cycle. When using this feature, the measured T2 time (measured from the falling edge of the gate drive) is adjusted to obtain the actual T2 time, allowing the control loop to tightly regulate the output currents and reduce errors.</p> <p>0 = Disable T2 measurement compensation 1 = Enable T2 measurement compensation</p>
[4:2]	-	Reserved
[1]	VALLEYSW	<p>Configures quasi-resonant switching (valley switching) on the second stage.</p> <p>0 = Disables valley switching on the second stage 1 = Enables valley switching on the second stage</p>
[0]	-	Reserved

6.8 Configuration 3 (Config3) – Address 35

7	6	5	4	3	2	1	0
STRING	TT_MAX1	TT_MAX0	LED_ARG	IPEAK2	IPEAK1	IPEAK0	-

Number	Name	Description
[7]	STRING	Configures second stage series/parallel output channel configuration. 0 = Second stage configured as parallel strings 1 = Second stage configured with strings in series
[6:5]	TT_MAX[1:0]	Configures the maximum measurable second stage switching cycle period. 00 = 51.15µs 01 = 102.35µs 10 = 153.55µs 11 = 204.75µs
[4]	LED_ARG	Configures which channel is connected to the color LED string (the string with a gain that is dependent on dim and temperature). 0 = Color LED string connected to channel 1 1 = Color LED string connected to channel 2
[3:1]	IPEAK[2:0]	Configures the minimum measurable peak current level on the second stage sense resistor when the gate drive is turned on along with the CLAMP[1:0] setting. IPEAK[2:0] is an unsigned integer in the range of $0 \leq \text{value} \leq 7$. The voltage on the FBSENSE pin that corresponds to the minimum peak current is calculated using the following formula: $1.4 \cdot \left(\frac{(((\text{IPEAK}[2:0] + 1) \cdot 16) + 15) - ((\text{CLAMP}[1:0] \cdot 8) + 8)}{512} \right)$
[0]	-	Reserved

6.9 Configuration 4 (Config4) – Address 36

7	6	5	4	3	2	1	0
T2CH1GAIN5	T2CH1GAIN4	T2CH1GAIN3	T2CH1GAIN2	T2CH1GAIN1	T2CH1GAIN0	SYNC	POL_ZCD

Number	Name	Description
[7:2]	T2CH1GAIN[5:0]	<p>Sets T2 compensation gain $T2_{CH1CompGain}$ for channel 1, which is required when T2 measurement compensation is enabled for flyback designs. The value is an unsigned integer in the range of $0 \leq T2CH1GAIN[5:0] \leq 63$. Compensated T2 time $T2_{Compensated}$ used in the second stage charge regulation loop is given by:</p> $T2_{Compensated} = T2_{Measured} - (T_{ZCD(RisingEdge)} \cdot T2_{CH1CompGain})$ <p>where, $T2_{CH1CompGain}$ is a decimal number in the range of $0.0 \leq T2_{CH1CompGain} < 4.0$:</p> $T2_{CH1CompGain} = T2CH1GAIN[5:0] \cdot 0.0625$
[1]	SYNC	<p>Enables the digital synchronization signal that indicates which channel the controller is signaling for each gate switching period on the IC's SYNC pin. The SYNC bit should be enabled for non-isolated second stage designs where the synchronizer circuit is directly driven from the IC's SYNC pin.</p> <p>0 = Disables SYNC onto pin 1 = Enables SYNC onto pin</p>
[0]	POL_ZCD	<p>Sets polarity of zero-current detection comparator output. Recommended to set bit POL_ZCD to active-low polarity.</p> <p>0 = Active-low polarity 1 = Positive polarity</p>

6.10 Second Stage Dim (S2DIM) – Address 37

7	6	5	4	3	2	1	0
2^7	2^6	2^5	2^4	2^3	2^2	2^1	2^0

S2DIM sets the minimum dim for second stage (flyback, buck, or tapped buck). The register value is an unsigned integer in the range of $0 \leq \text{value} \leq 255$. Enforced minimum dim percentage dim_{\min} is determined by the following equation:

$$\text{dim}_{\min} = \left(\frac{S2DIM[7:0] \cdot 16 + 15}{4095} \right) \cdot 100$$

6.11 Maximum TT (TTMAX) – Address 38

7	6	5	4	3	2	1	0
2^7	2^6	2^5	2^4	2^3	2^2	2^1	2^0

TTMAX sets the maximum allowable target period for the second stage TT. The register value is an unsigned integer in the range of $0 \leq \text{value} \leq 255$. The maximum TT period is determined by:

$$(TTMAX[7:0] \cdot 128 + 127) \cdot 50\text{ns}$$

The maximum period for TT can be configured from 6.35 μ s to 1.63835ms.

6.12 Configuration 7 (Config7) – Address 39

7	6	5	4	3	2	1	0
PROBE	PRCNT3	PRCNT2	PRCNT1	PRCNT0	-	-	-

Number	Name	Description
[7]	PROBE	Configures the automated T_{RES} probe operation that measures the resonant frequency on the drain of the second stage FET using the reflected voltage applied to the FBAUX pin for improved valley switching performance. 0 = Disables T_{RES} probe 1 = Enables T_{RES} probe
[6:3]	PRCNT[3:0]	When PROBE='1', sets the number of switching cycles TT_{Cycles} between T_{RES} probe measurements. $TT_{Cycles} = (16 \cdot PRCNT[3:0]) + 15$ When PROBE='0', sets the time for a quarter period of the resonant period T_{RES} . $\frac{T_{RES}}{4} = 2 \cdot PRCNT[3:0] \cdot 50ns$
[2:0]	-	Reserved

6.13 Configuration 8 (Config8) – Address 40

7	6	5	4	3	2	1	0
RSHIFT3	RSHIFT2	RSHIFT1	RSHIFT0	CH1_ZCD2	CH1_ZCD1	CH1_ZCD0	CH1CURMSB

Number	Name	Description
[7:4]	RSHIFT[3:0]	Sets the number of right shifts performed on the second stage PID integrator value to generate a 10-bit threshold value for the peak control comparator. For peak rectify mode, the threshold is calculated by a right shift of the integrator value. If RSHIFT[3:0] is set to 12, the 24-bit integrator is shifted right 12 times and the remaining bits represent the threshold value provided to the peak control comparator.
[3:1]	CH1_ZCD[2:0]	Sets fixed time delay $T_{CH1ZCD(Delay)}$ to account for the delay of the second stage zero-current detection (ZCD) comparator during channel 1 switching cycles when the voltage applied to the FBAUX pin falls below the 250mV ZCD comparator threshold. Configuring $T_{CH1ZCD(Delay)}$ is essential for good quasi-resonant (valley switching) performance. The value is an unsigned integer in the range of $0 \leq \text{value} \leq 7$. The delay is defined by: $T_{CH1ZCD(Delay)} = CH1_ZCD[2:0] \cdot 50ns$
[0]	CH1CURMSB	Most significant bit for the CH1CUR register (see "Channel 1 Output Current (CH1CUR) – Address 41" on page 35).

6.14 Channel 1 Output Current (CH1CUR) – Address 41

7	6	5	4	3	2	1	0
2^7	2^6	2^5	2^4	2^3	2^2	2^1	2^0

CH1CUR sets the target output current for channel 1. The register value plus bit CH1CURMSB forms an unsigned integer in the range of $0 \leq \text{value} \leq 511$.

6.15 Configuration 10 (Config10) – Address 42

7	6	5	4	3	2	1	0
BUCK3	BUCK2	BUCK1	BUCK0	RE1_ZCD2	RE1_ZCD1	RE1_ZCD0	CH2CURMSB

Number	Name	Description
[7:4]	BUCK[3:0]	Configures buck topology. The value is an unsigned integer in the range of $0 \leq \text{value} \leq 15$. 0 = Normal buck configuration 1 = Tapped buck ratio of one which is equivalent to a normal buck configuration 2-15 = Tapped buck configuration where the ratio is equal to N.
[3:1]	RE1_ZCD[2:0]	Configures fixed time delay $T_{RE1ZCD(\text{delay})}$ for zero-current detection (ZCD) comparator to account for the delay on the rising edge of ZCD for channel 1. The value is an unsigned integer in the range of $0 \leq \text{value} \leq 7$. The delay is defined by: $T_{RE1ZCD(\text{delay})} = \text{RE1_ZCD}[2:0] \cdot 50\text{ns}$
[0]	CH2CURMSB	Most significant bit for the CH2CUR register (see "Channel 2 Output Current (CH2CUR) – Address 43" on page 35).

6.16 Channel 2 Output Current (CH2CUR) – Address 43

7	6	5	4	3	2	1	0
2^7	2^6	2^5	2^4	2^3	2^2	2^1	2^0

CH2CUR sets the target output current for channel 2. The register value plus bit CH2CURMSB forms an unsigned integer in the range of $0 \leq \text{value} \leq 511$.

6.17 Configuration 12 (Config12) – Address 44

7	6	5	4	3	2	1	0
TIMEOUT1	TIMEOUT0	S2CONFIG	DITATT1	DITATT0	-	-	-

Number	Name	Description
[7:6]	TIMEOUT[1:0]	Sets the T2 time-out limit to ensure a minimum switching frequency for each channel. 00 = 45ms 01 = 70.6ms 10 = 96.2ms 11 = 121.8ms
[5]	S2CONFIG	Configures second stage for flyback or buck/tapped buck. 0 = Enables second stage for buck/tapped buck topology 1 = Enables second stage for flyback topology
[4:3]	DITATT[1:0]	Configures the dither attenuation by right shifting the dither value on a selected channel for dithering reduction. The nominal dither level (set using bits DIT-LEVEL[1:0]) is attenuated by the amount configured by bits DITATT[1:0] on the channel set using bit DITCHAN. 00 = No attenuation 01 = 50% attenuation 10 = 25% attenuation 11 = 12.5% attenuation
[2:0]	-	Reserved

6.18 PU Coefficient (PID) – Address 45

7	6	5	4	3	2	1	0
2^7	2^6	2^5	2^4	2^3	2^2	2^1	2^0

PID sets the maximum coefficient for the second stage PU integrator. The register value is an unsigned integer in the range of $0 \leq \text{value} \leq 255$.

6.19 Maximum Switching Frequency (TTFREQ) – Address 46

7	6	5	4	3	2	1	0
2^7	2^6	2^5	2^4	2^3	2^2	2^1	2^0

TTFREQ sets the minimum switching period (maximum switching frequency) for the second stage TT (see "Maximum TT (TTMAX) – Address 38" on page 33). The register value is an unsigned integer in the range of $0 \leq \text{value} \leq 255$. The minimum TTFREQ switching period is determined by:

$$\text{TTFREQ}[7:0] \cdot 4 \cdot 50\text{ns}$$

The switching period for TT can be configured from 0ns to 51μs.

6.20 Configuration 15 (Config15) – Address 47

7	6	5	4	3	2	1	0
EXIT_PH3	EXIT_PH2	EXIT_PH1	EXIT_PH0	DECL_PH3	DECL_PH2	DECL_PH1	DECL_PH0

Number	Name	Description
[7:4]	EXIT_PH[3:0]	Configures the number of channel 1 switching periods between phase synchronization conditions on the second stage. EXIT_PH[3:0] provides a hysteresis to prevent consecutive resynchronizations by the controller. The value is an unsigned integer in the range of $0 \leq \text{value} \leq 15$. EXIT_PH[3:0] needs to be configured only for designs that use a dual channel synchronization circuit and is not directly driven from the SYNC pin. The RESYNC bit must be enabled (see “Configuration 17 (Config17) – Address 49” on page 38).
[3:0]	DECL_PH[3:0]	Configures the number of second stage switching periods with improper output identification until the controller resynchronizes. There is a counter that increments by 1 on improper output identification and decrements by 2 if proper output identification is measured. If this counter exceeds the threshold set by bits DECL_PH[3:0] and the controller has not seen a phase resynchronization in EXIT_PH[3:0] cycles, the controller resynchronizes. The value is an unsigned integer in the range of $0 \leq \text{value} \leq 15$. DECL_PH[3:0] needs to be configured only for designs that use a dual channel synchronization circuit and is not directly driven from the SYNC pin. The RESYNC bit must be enabled (see “Configuration 17 (Config17) – Address 49” on page 38).

6.21 Configuration 16 (Config16) – Address 48

7	6	5	4	3	2	1	0
RE2_ZCD2	RE2_ZCD1	RE2_ZCD0	CH2_ZCD2	CH2_ZCD1	CH2_ZCD0	SCP	VDIFF

Number	Name	Description
[7:5]	RE2_ZCD[2:0]	<p>Sets the fixed time delay $T_{\text{RE2ZCD}(\text{delay})}$ for zero-current detection (ZCD) comparator to account for the delay on the rising edge of ZCD for channel 2. The value is an unsigned integer in the range of $0 \leq \text{value} \leq 7$. The delay is defined by:</p> $T_{\text{RE2ZCD}(\text{delay})} = \text{RE2_ZCD}[2:0] \cdot 50\text{ns}$
[4:2]	CH2_ZCD[2:0]	<p>Sets fixed time delay $T_{\text{CH2ZCD}(\text{delay})}$ to account for the delay of the second stage zero-current detection (ZCD) comparator during channel 2 switching cycles when the voltage applied to the FBAUX pin falls below the 200mV ZCD comparator threshold. Configuring $T_{\text{CH2ZCD}(\text{delay})}$ is essential to achieve good quasi-resonant (valley switching) performance. The value is an unsigned integer in the range of $0 \leq \text{value} \leq 7$. The delay is defined by:</p> $T_{\text{CH2ZCD}(\text{delay})} = \text{CH2_ZCD}[2:0] \cdot 50\text{ns}$
[1]	SCP	<p>Configures the second stage short circuit protection.</p> <p>0 = Enable short circuit protection 1 = Disable short circuit protection</p>
[0]	VDIFF	<p>Configures the V_{Diff} fault mechanism for use by the protection module.</p> <p>0 = Enable V_{Diff} fault 1 = Disable V_{Diff} fault</p>

6.22 Configuration 17 (Config17) – Address 49

7	6	5	4	3	2	1	0
DITHER	RESYNC	T2CH2GAIN5	T2CH2GAIN4	T2CH2GAIN3	T2CH2GAIN2	T2CH2GAIN1	T2CH2GAIN0

Number	Name	Description
[7]	DITHER	Configures dither on the second stage primary side peak current threshold. 0 = Disable dither 1 = Enable dither
[6]	RESYNC	Configures resynchronization of a dual channel second stage design where the channel synchronization circuit is not directly driven from the SYNC pin. Bit RESYNC controls the behavior of bits EXIT_PH[3:0] and DECL_PH[3:0] (see "Configuration 15 (Config15) – Address 47" on page 37). 0 = Disable phase resynchronization 1 = Enable phase resynchronization
[3:0]	T2CH2GAIN[5:0]	Sets T2 compensation gain $T2_{CH2CompGain}$ for channel 2 which is required when T2 measurement compensation is enabled for flyback designs. The value is an unsigned integer in the range of $0 \leq T2_{CH2CompGain} \leq 63$. Compensated T2 time $T2_{Compensated}$ used in the second stage charge regulation loop is given by: $T2_{Compensated} = T2_{Measured} - (T_{ZCD(RisingEdge)} \cdot T2_{CH2CompGain})$ where, $T2_{CH2CompGain}$ is a decimal number the range of $0.0 \leq T2_{CH2CompGain} < 4.0$. $T2_{CH2CompGain} = T2CH2GAIN[5:0] \cdot 0.0625$

6.23 Configuration 18 (Config18) – Address 50

7	6	5	4	3	2	1	0
LEB3	LEB2	LEB1	LEB0	TEB3	TEB2	TEB1	TEB0

Number	Name	Description
[7:4]	LEB[3:0]	Configures the leading-edge blanking time T_{LEB} for the second stage peak current measurement. The output of the current sense comparator which controls the primary side peak current is ignored for time T_{LEB} from the rising edge of the gate drive signal. $T_{LEB} = LEB[3:0] \cdot 2 \cdot 50ns$
[3:0]	TEB[3:0]	Configures the trailing-edge blanking time T_{TEB} for zero-current detection. The ZCD comparator output signal used to detect the secondary side inductor demagnetization is blanked for time T_{TEB} after the falling edge of the second stage gate drive signal. $T_{TEB} = TEB[3:0] \cdot 2 \cdot 50ns$

6.24 Peak Current (PEAK_CUR) – Address 51

7	6	5	4	3	2	1	0
2^7	2^6	2^5	2^4	2^3	2^2	2^1	2^0

PEAK_CUR sets the boost stage peak current, which assists in configuring the boost output power. The register value is an unsigned integer in the range of $0 \leq \text{value} \leq 255$ where the LSB = 4.1 mA. The peak current can be configured from 0 mA to 1.0455 A.

6.25 Configuration 38 (Config38) – Address 70

7	6	5	4	3	2	1	0
-	-	-	-	-	-	-	CRC

Number	Name	Description
[7:1]	-	Reserved
[0]	CRC	Configures the communication system to use the CRC value in the CRC_TAG register (see "CRC Tag (CRC_TAG) – Address 102" on page 50). Enabling this bit is required when programming the OTP registers of the CS1630/31. 0 = Disables the use of the CRC register 1 = Enables the use of the CRC register

6.26 Configuration 44 (Config44) – Address 76

7	6	5	4	3	2	1	0
-	-	-	-	-	-	RATE1	RATE0

Number	Name	Description
[7:2]	-	Reserved
[1:0]	RATE[1:0]	Configures the dimming rate for the external overtemperature protection (eOTP) feature which decreases the second stage dim level once the measured 8-bit temperature value corresponding to the external NTC resistance connected to pin eOTP exceeds the temperature value configured using bits eOTP[4:0] (Config59[7:3] of Address 91). The rate at which the 12-bit dim level is decreased is set to any one of the following: 00 = 4 dims per temperature code above $\text{CODE}_{\text{TEMPeOTP}}$ 01 = 8 dims per temperature code above $\text{CODE}_{\text{TEMPeOTP}}$ 10 = 16 dims per temperature code above $\text{CODE}_{\text{TEMPeOTP}}$ 11 = 32 dims per temperature code above $\text{CODE}_{\text{TEMPeOTP}}$

6.27 Configuration 45 (Config45) – Address 77

7	6	5	4	3	2	1	0
-	-	-	-	-	-	VDIFF_LAT	MAX_CUR

Number	Name	Description
[7:2]	-	Reserved
[1]	VDIFF_LAT	Selects if the V_{Diff} fault is to be a latched type fault. 0 = Unlatched fault 1 = Latched fault
[0]	MAX_CUR	Configures the second stage to draw maximum power when the boost output voltage exceeds boost overvoltage protection threshold $V_{BST} > V_{BOP(th)}$, triggering a boost overvoltage fault. 0 = Disable 1 = Enable

6.28 Configuration 46 (Config46) – Address 78

7	6	5	4	3	2	1	0
-	-	-	-	WAKEUP3	WAKEUP2	WAKEUP1	WAKEUP0

Number	Name	Description
[7:4]	-	Reserved
[3:0]	WAKEUP[3:0]	<p>Configures the 8-bit code value corresponding to temperature threshold $Temp_{Wakeup}$. Upon power-up the system will enter an external overtemperature fault disabling the power train, unless the external temperature measured at the external NTC is below $Temp_{Wakeup}$. If the temperature drops below this threshold, the device will clear all overtemperature faults. The setting is an offset to $Temp_{eOTP}$ (see “Configuration 59 (Config59) – Address 91” on page 48 for configuring $Temp_{eOTP}$).</p> $CODE_{TEMPWakeup} = CODE_{TEMPeOTP} + (WAKEUP[3:0] \cdot 4)$ <p>The equation above is setting 8-bit code, $CODE_{TEMPWakeup}$, corresponding to temperature $Temp_{Wakeup}$, which is in degrees Celsius. The wakeup temperature code is configured as an offset from the eOTP temperature code and the shutdown temperature code is configured as an offset from the wakeup temperature code; $Temp_{eOTP} \leq Temp_{Wakeup} \leq Temp_{Shutdown}$.</p>

6.29 Configuration 47 (Config47) – Address 79

7	6	5	4	3	2	1	0
OCP	OLP	OVP	BOP	COP	LLP	EEOTP	IOTP

Number	Name	Description
[7]	OCP	Configures second stage primary side overcurrent protection. 0 = Enable 1 = Disable
[6]	OLP	Configures second stage primary side open loop protection (R_{Sense} Short Protection). 0 = Enable 1 = Disable
[5]	OVP	Configures second stage secondary side overvoltage protection (Output Open Circuit Protection). 0 = Enable 1 = Disable
[4]	BOP	Configures boost overvoltage protection. 0 = Enable 1 = Disable
[3]	COP	Configures clamp overpower protection. 0 = Enable 1 = Disable
[2]	LLP	Configures line link protection. 0 = Enable 1 = Disable
[1]	EEOTP	Configures external overtemperature protection. 0 = Enable 1 = Disable
[0]	IOTP	Configures internal overtemperature protection. 0 = Enable 1 = Disable

6.30 Configuration 48 (Config48) – Address 80

7	6	5	4	3	2	1	0
OCP_BLANK3	OCP_BLANK2	OCP_BLANK1	OCP_BLANK0	OLP_BLANK2	OLP_BLANK1	OLP_BLANK0	IOTP_SAMP

Number	Name	Description
[7:4]	OCP_BLANK[3:0]	Configures fixed time-blanking interval t_{OCP} for overcurrent protection (OCP). The value is an unsigned integer in the range of $0 \leq \text{value} \leq 15$. $t_{OCP} = 150\text{ns} + (\text{OCP_BLANK}[3:0] \cdot 50\text{ns})$
[3:1]	OLP_BLANK[2:0]	Configures fixed time blanking interval t_{OLP} for open loop protection (OLP) and sense resistor protection. The value is an unsigned integer in the range of $0 \leq \text{value} \leq 7$. $t_{OLP} = 1\mu\text{s} + (\text{OLP_BLANK}[2:0] \cdot 0.5\mu\text{s})$
[0]	IOTP_SAMP	Sample internal temperature sensor at a slower rate when not in internal overtemperature state (iOTP fault state). Recommended to set bit IOTP_SAMP to sample slow. 0 = Sample fast 1 = Sample slow

6.31 Configuration 49 (Config49) – Address 81

7	6	5	4	3	2	1	0
OCP_CNT2	OCP_CNT1	OCP_CNT0	OCP_LAT	OLP_CNT2	OLP_CNT1	OLP_CNT0	OLP_LAT

Number	Name	Description
[7:5]	OCP_CNT[2:0]	Sets the second stage OCP fault counter threshold used when declaring a fault. 0 = Force OCP fault (debug only) 1-7= Number of times an OCP fault has to occur consecutively.
[4]	OCP_LAT	Configures OCP fault type. 0 = Unlatched fault 1 = Latched fault
[3:1]	OLP_CNT[2:0]	Sets the second stage OLP fault counter threshold used when declaring a fault. 0 = Force OLP fault (debug only) 1-7= Number of times an OLP fault has to occur consecutively before the IC will enter a fault state.
[0]	OLP_LAT	Configures OLP fault type. 0 = Unlatched fault 1 = Latched fault

6.32 Configuration 50 (Config50) – Address 82

7	6	5	4	3	2	1	0
OVP_CNT2	OVP_CNT1	OVP_CNT0	OVP_LAT	OVP_TYPE	OVP_BLANK2	OVP_BLANK1	OVP_BLANK0

Number	Name	Description
[7:5]	OVP_CNT[2:0]	Sets the second stage OVP fault counter threshold used when declaring a fault. 0 = Force OVP fault (debug only) 1-7 = Number of times an OVP fault has to occur consecutively before the IC will enter a fault state.
[4]	OVP_LAT	Configures second stage OVP fault type. 0 = Unlatched fault 1 = Latched fault
[3]	OVP_TYPE	Selects the type of blanking for the second stage OVP. When bit OVP_TYPE is set to T2 offset, the blanking time is always equal to the corresponding channel's previous T2 switching cycle time minus an offset of 500ns. 0 = Fixed time blanking mode 1 = T2 offset blanking mode.
[2:0]	OVP_BLANK[2:0]	Configures fixed time blanking interval t_{OVP} for output open protection, OVP. The value is an unsigned integer in the range of $0 \leq \text{value} \leq 7$. $t_{OVP} = 1\mu\text{s} + (\text{OVP_BLANK}[2:0] \cdot 0.5\mu\text{s})$

6.33 Configuration 51 (Config51) – Address 83

7	6	5	4	3	2	1	0
RESTART5	RESTART4	RESTART3	RESTART2	RESTART1	RESTART0	FAULT_SLOW	FAULT_SHDN

Number	Name	Description
[7:2]	RESTART[5:0]	Set fault restart time T_{Restart} for second stage faults that are set as unlatched type. If slow restart bit FAULT_SLOW is enabled, then $T_{\text{Restart}} = \text{RESTART}[5:0] \cdot 40.96\text{ms}$ else $T_{\text{Restart}} = \text{RESTART}[5:0] \cdot 25.6\mu\text{s}$
[1]	FAULT_SLOW	Configures slow restart for second stage faults that are set at unlatched type. 0 = Disable slow restart; use 25.6 μs timer for restart time countdown 1 = Enable slow restart; use 40.96ms timer for restart time countdown
[0]	FAULT_SHDN	Selects which stages to disable when a fault event occurs in the second stage. 0 = Shutdown second stage only 1 = Shutdown boost stage and second stage

6.34 Configuration 52 (Config52) – Address 84

7	6	5	4	3	2	1	0
COP_THRES6	COP_THRES5	COP_THRES4	COP_THRES3	COP_THRES2	COP_THRES1	COP_THRES0	COP_INT

Number	Name	Description
[7:1]	COP_THRES[6:0]	<p>Value used to determine the COP Filter Threshold. The clamp is sampled every 20μs and over the selected interval is compared to COP time-on threshold, $T_{ON(th)}$ to determine if an COP fault has occurred.</p> <p>For a 1 second interval:</p> $T_{ON(th)} = (COP_THRES[6:0] \cdot 5.12ms) + 2.56ms$ <p>For a 2 second interval:</p> $T_{ON(th)} = (COP_THRES[6:0] \cdot 10.24ms) + 5.12ms$
[0]	COP_INT	<p>Configures the time interval to check for a boost stage COP fault.</p> <p>0 = 1 second interval 1 = 2 second interval</p>

6.35 Configuration 53 (Config53) – Address 85

7	6	5	4	3	2	1	0
BOP_INTEG2	BOP_INTEG1	BOP_INTEG0	BOP_THRES3	BOP_THRES2	BOP_THRES1	BOP_THRES0	BOOST_ON

Number	Name	Description
[7:5]	BOP_INTEG[2:0]	<p>Sets the leaky integrator output threshold for declaring a boost output protection (BOP) fault. The BOP fault signal is averaged continuously using a leaky integrator and if the averaged value exceeds the leaky integrator output threshold a BOP fault is declared. When V_{BST} exceeds the set threshold BOP_THRES[3:0], the leaky integrator uses these parameters: feedback coefficient = 63/64; sample rate = 12.5kHz; input = 8.</p> <p>000 = BOP fault trips immediately when V_{BST} crosses threshold (no filter)</p> <p>001 = 1</p> <p>010 = 2</p> <p>011 = 3</p> <p>100 = 4</p> <p>101 = 5</p> <p>110 = 6</p> <p>111 = 7</p>
[4:1]	BOP_THRES[3:0]	<p>Configures threshold $V_{BOP(th)}$ for the BOP to be 0 to 30V above the clamp turn-on voltage setting which is 227V for 120V IC (CS1630) and 432V for 230V IC (CS1631). The threshold value can be set from 0 to 30V in increments of 2V above the clamp turn-on voltage setting. For a 120V IC:</p> $V_{BOP(th)} = (BOP_THRES[3:0] \cdot 2) + 227V$ <p>For a 230V IC:</p> $V_{BOP(th)} = (BOP_THRES[3:0] \cdot 2) + 432V$ <p>This value is limited internally to 254V for 120V IC and 508V for 230V IC. The boost overvoltage protection does not trip immediately when the boost output voltage crosses this threshold, unless BOP_INTEG[2:0] = 0.</p>
[0]	BOOST_ON	<p>Selects when to enable boost stage on chip power-up.</p> <p>0 = Boost after eOTP measurement check for $Temp_{NTC} > Temp_{Wakeup}$</p> <p>1 = Boost after ADC lock without waiting for eOTP measurement to finish</p>

6.36 Configuration 54 (Config54) – Address 86

7	6	5	4	3	2	1	0
LLP_TIME2	LLP_TIME1	LLP_TIME0	BOP_RSTART	-	-	-	-

Number	Name	Description
[7:5]	LLP_TIME[2:0]	<p>Sets the time that the condition $V_{BST} < (V_{Line} - V_{LLPMin(th)})$ is true to trigger a boost LLP fault. See “Configuration 62 (Config62) – Address 94” on page 50 for configuring $V_{LLPMin(th)}$ using bits BST_LL[1:0].</p> <p>000 = 0ms 001 = 1ms 010 = 2ms 011 = 2.5ms 100 = 3ms 101 = 3.5ms 110 = 4ms 111 = 5ms</p>
[4]	BOP_RSTART	<p>Configures boost BOP fault behavior. When bit BOP_RSTART is set to ‘1’ the IC attempts to restart after V_{BST} drops down to a nominal voltage level. It is recommended to enable bit MAX_CUR when BOP_RSTART = 1 so the second stage can deliver full output power when a boost BOP fault is detected. This helps quickly dissipate the energy stored in the boost output capacitor bringing down the voltage on the capacitor.</p> <p>0 = Latched fault 1 = Attempts to restart if V_{BST} equals 195V for 120V application or 392V for 230V application</p>
[3:0]	-	Reserved

6.37 Configuration 55 (Config55) – Address 87

7	6	5	4	3	2	1	0
-	-	EOTP_FLP2	EOTP_FLP1	EOTP_FLP0	EOTP_SLP2	EOTP_SLP1	EOTP_SLP0

Number	Name	Description
[7:6]	-	Reserved
[5:3]	EOTP_FLP[2:0]	<p>Sets time constant of the faster low pass filter used for filtering the coarse 8-bit ADCR temperature measurements. This filter's output is used for external overtemperature fault detection by quickly detecting if the external NTC temperature has exceeded the temperature set point Temp_{Shutdown}. Its output is also used by the Color Control System for controlling the color gain with temperature for the temperature-dependent channel.</p> <p>000 = No filter 001 = 233ms 010 = 466ms 011 = 933ms 100 = 1.866s 101 = 3.733s 110 = Reserved 111 = Reserved</p>
[2:0]	EOTP_SLP[2:0]	<p>Time constant of the slower low pass filter used for filtering the coarse ADCR temperature measurements. It's output is used for the external overtemperature protection (eOTP) dim with temperature feature which decreases the second stage dim level once the temperature measured using the external NTC connected to pin eOTP exceeds the temperature threshold set using eOTP, Temp_{eOTP} (see "Configuration 59 (Config59) – Address 91" on page 48).</p> <p>000 = 3.75s 001 = 7.5s 010 = 10s 011 = 15s 100 = 20s 101 = 30s 110 = 1min 111 = 2min</p>

6.38 PLC Dim (PLC_DIM) – Address 89

7	6	5	4	3	2	1	0
2^7	2^6	2^5	2^4	2^3	2^2	2^1	2^0

PLC_DIM sets the second stage dim level while in PLC mode (see "Calibration Mode Operation Code" on page 22) and Leading-edge Mode. The register value is an unsigned integer in the range of $0 \leq \text{value} \leq 255$. The dim value prevents flashing when a command is sent to the device. If PLC_DIM = 0x00 then 0x7F is used which is equivalent to a 50% dim value. The 12-bit PLC dim value is given by:

$$(\text{PLC_DIM} \cdot 16) + 15$$

6.39 Configuration 58 (Config58) – Address 90

7	6	5	4	3	2	1	0
SHUTDWN3	SHUTDWN2	SHUTDWN1	SHUTDWN0	LOW_SAT2	LOW_SAT1	LOW_SAT0	DIM_TEMP

Number	Name	Description
[7:4]	SHUTDWN[3:0]	<p>Configures the 8-bit code value corresponding to temperature threshold $Temp_{Shutdown}$. If the temperature exceeds this threshold, the device enters an external overtemperature state and shuts down.</p> $CODE_{TEMP_{Shutdown}} = CODE_{TEMP_{Wakeup}} + (SHUTDWN[3:0] \cdot 4)$ <p>The wakeup temperature code is configured as an offset from the eOTP temperature code and the shutdown temperature code is configured as an offset from the wakeup temperature code; $Temp_{eOTP} \leq Temp_{Wakeup} \leq Temp_{Shutdown}$</p>
[3:1]	LOW_SAT[2:0]	<p>Sets the lower saturation limit for the 8-bit temperature code provided to the color system from the fast low pass filter before it is used for polynomial computations. The lower saturation limit is given by:</p> $(LOW_SAT[2:0] + 1) \cdot 5$
[0]	DIM_TEMP	<p>Configures the external overtemperature protection (eOTP) dim with temperature feature, which decreases the second stage dim level once the temperature measured using the external NTC connected to pin eOTP exceeds the temperature threshold set using eOTP[4:0], $Temp_{eOTP}$ (see “Configuration 59 (Config59) – Address 91” on page 48).</p> <p>0 = Disable 1 = Enable</p>

6.40 Configuration 59 (Config59) – Address 91

7	6	5	4	3	2	1	0
eOTP4	eOTP3	eOTP2	eOTP1	eOTP0	HI_SAT2	HI_SAT1	HI_SAT0

Number	Name	Description
[7:3]	eOTP[4:0]	<p>Configures 8-bit code value $CODE_{TEMP_{eOTP}}$ corresponding to the temperature $Temp_{eOTP}$ set point at which the eOTP dim with temperature feature is enabled.</p> $CODE_{TEMP_{eOTP}} = 80 + (eOTP[4:0] \cdot 4)$
[2:0]	HI_SAT[2:0]	<p>Sets the higher saturation limit for the 8-bit temperature code provided to the color system before it is used for polynomial computations.</p> <p>000 = $CODE_{TEMP_{Shutdown}}$ 001 = 100 010 = 120 011 = 140 100 = 160 101 = 180 110 = 200 111 = 220</p>

6.41 Configuration 60 (Config60) – Address 92

7	6	5	4	3	2	1	0
-	PLC	-	CS_DELAY2	CS_DELAY1	CS_DELAY0	-	-

Number	Name	Description
[7]	-	Reserved
[6]	PLC	Configures the power line calibration (PLC) mode. 0 = Enable 1 = Disable
[5]	-	Reserved
[4:2]	CS_DELAY[2:0]	Configures the I_{Sense} comparator delay and board delays incurred through FET switching $T1_{comp}$. Switching time $T1_{comp}$ can be set from 0ns to 350ns in steps of 50ns. $T1_{comp} = CS_DELAY[2:0] \cdot 50ns$
[1:0]	-	Reserved

6.42 Configuration 61 (Config61) – Address 93

7	6	5	4	3	2	1	0
DITNODIM	DITLEVEL1	DITLEVEL0	DITCHAN	-	-	-	-

Number	Name	Description
[7]	DITNODIM	Configures dithering, if enabled, to work in No-dimmer mode only. 0 = Dithering works in all modes 1 = Dithering works in No-dimmer mode only
[6:5]	DITLEVEL[1:0]	Configures the second stage dithering level based on the percentage of variation on the I_{Sense} DAC reference setting. 00 = 1.3% 01 = 2.9% 10 = 6% 11 = 12.3%
[4]	DITCHAN	Selects the channel for less dithering for which the nominal dither level, set using bits DITLEVEL[1:0], is attenuated by the amount set by bits DITATT[1:0]. 0 = Channel 1 1 = Channel 2
[3:0]	-	Reserved

6.43 Configuration 62 (Config62) – Address 94

7	6	5	4	3	2	1	0
CH2_OFF2	CH2_OFF1	CH2_OFF0	CH1_OFF2	CH1_OFF1	CH1_OFF0	BST_LL1P1	BST_LL1P0

Number	Name	Description
[7:5]	CH2_OFF[2:0]	Sets fixed offset delay for ZCD comparator and other path delays in order to get correct T2 measurements for channel 2. Adjusting CH2_OFF[2:0] correctly is necessary to achieve accurate and predictable output currents across the entire dimming range. The offset delay is given by: $\text{CH2_OFF}[2:0] \cdot 50\text{ns}$
[4:2]	CH1_OFF[2:0]	Sets fixed offset delay for ZCD comparator and other path delays in order to get correct T2 measurements for channel 1. Adjusting CH1_OFF[2:0] correctly is necessary to achieve accurate and predictable output currents across the entire dimming range. The offset delay is given by: $\text{CH1_OFF}[2:0] \cdot 50\text{ns}$
[1:0]	BST_LL1P[1:0]	Sets the minimum value $V_{\text{LLPMin(th)}}$ by which the boost output voltage needs to be below the AC line voltage to trigger an LLP fault. 00 = 80V for 120V applications; 160V for 230V applications 01 = 40V for 120V applications; 80V for 230V applications 10 = 20V for 120V applications; 40V for 230V applications 11 = 10V for 120V applications; 20V for 230V applications

6.44 CRC Tag (CRC_TAG) – Address 102

7	6	5	4	3	2	1	0
2^7	2^6	2^5	2^4	2^3	2^2	2^1	2^0

CRC Tag register used by the communication system. To activate the use of this register the CRC bit must be programmed to '1' (see "Configuration 38 (Config38) – Address 70" on page 39). The correct CRC value is obtained by computing the CRC for all the registers from address 0 through 95. This includes all the reserved settings which have been factory programmed.

6.45 Channel 1 Color Calibration 3A (CH1_CAL3A) – Address 119

7	6	5	4	3	2	1	0
SET_3A	-	CH1_CAL3A5	CH1_CAL3A4	CH1_CAL3A3	CH1_CAL3A2	CH1_CAL3A1	CH1_CAL3A0

Number	Name	Description
[7]	SET_3A	Configures the color control system to use the color calibration values in memory tag 3A. 0 = Disables the use of memory tag 3A 1 = Enables the use of memory tag 3A
[6]	-	Reserved
[5:0]	CH1_CAL3A[5:0]	Channel 1 color control system calibration value that scales the current of channel 1 within $\pm 15\%$. The value is a two's complement integer in the range of $-32 \leq \text{CH1_CAL3A}[5:0] \leq 31$. The calibration current gain is given by: $1 + (\text{CH1_CAL3A}[5:0] \cdot 0.00488)$

6.46 Channel 2 Color Calibration 3A (CH2_CAL3A) – Address 120

7	6	5	4	3	2	1	0
-	-	CH2_CAL3A5	CH2_CAL3A4	CH2_CAL3A3	CH2_CAL3A2	CH2_CAL3A1	CH2_CAL3A0

Number	Name	Description
[7:6]	-	Reserved
[5:0]	CH2_CAL3A[5:0]	Channel 2 color control system calibration value that scales the current of channel 2 within $\pm 15\%$. The value is a two's complement integer in the range of $-32 \leq \text{CH2_CAL3A}[5:0] \leq 31$. The calibration current gain is given by: $1 + (\text{CH2_CAL3A}[5:0] \cdot 0.00488)$

6.47 CRC Memory Tag 3A (CRC_MTAG3A) – Address 121

7	6	5	4	3	2	1	0
2^7	2^6	2^5	2^4	2^3	2^2	2^1	2^0

CRC Memory Tag 3A register used by the color control system. To activate the use of this register the SET_3A bit must be programmed to '1' (see "Channel 1 Color Calibration 3A (CH1_CAL3A) – Address 119" on page 51). The CRC value is obtained by computing the CRC value for the registers at address 119 and 120.

6.48 Channel 1 Color Calibration 3B (CH1_CAL3B) – Address 122

7	6	5	4	3	2	1	0
SET_3B	-	CH1_CAL3B5	CH1_CAL3B4	CH1_CAL3B3	CH1_CAL3B2	CH1_CAL3B1	CH1_CAL3B0

Number	Name	Description
[7]	SET_3B	Configures the color control system to use the color calibration values in memory tag 3B. 0 = Disables the use of memory tag 3B 1 = Enables the use of memory tag 3B (Takes priority over SET_3A=1)
[6]	-	Reserved
[5:0]	CH1_CAL3B[5:0]	Channel 1 color control system calibration value that scales the current of channel 1 within ±15%. The value is a two's complement integer in the range of $-32 \leq \text{CH1_CAL3B}[5:0] \leq 31$. The calibration current gain is given by: $1 + (\text{CH1_CAL3B}[5:0] \cdot 0.00488)$

6.49 Channel 2 Color Calibration 3B (CH2_CAL3B) – Address 123

7	6	5	4	3	2	1	0
-	-	CH2_CAL3B5	CH2_CAL3B4	CH2_CAL3B3	CH2_CAL3B2	CH2_CAL3B1	CH2_CAL3B0

Number	Name	Description
[7:6]	-	Reserved
[5:0]	CH2_CAL3B[5:0]	Channel 2 color control system calibration value that scales the current of channel 2 within ±15%. The value is a two's complement integer in the range of $-32 \leq \text{CH2_CAL3B}[5:0] \leq 31$. The calibration current gain is given by: $1 + (\text{CH2_CAL3B}[5:0] \cdot 0.00488)$

6.50 CRC Memory Tag 3B (CRC_MTAG3B) – Address 124

7	6	5	4	3	2	1	0
2^7	2^6	2^5	2^4	2^3	2^2	2^1	2^0

CRC Memory Tag 3B register used by the color control system. To activate the use of this register the SET_3B bit must be programmed to '1' (see "Channel 1 Color Calibration 3B (CH1_CAL3B) – Address 122" on page 52). The CRC value is obtained by computing the CRC value for the registers at address 122 and 123.

6.51 Channel 1 Color Calibration 3C (CH1_CAL3C) – Address 125

7	6	5	4	3	2	1	0
SET_3C	-	CH1_CAL3C5	CH1_CAL3C4	CH1_CAL3C3	CH1_CAL3C2	CH1_CAL3C1	CH1_CAL3C0

Number	Name	Description
[7]	SET_3C	Configures the color control system to use the color calibration values in memory tag 3C. 0 = Disables the use of memory tag 3C 1 = Enables the use of memory tag 3C (Takes priority over SET_3B=1)
[6]	-	Reserved
[5:0]	CH1_CAL3C[5:0]	Channel 1 color control system calibration value that scales the current of channel 1 within $\pm 15\%$. The value is a two's complement integer in the range of $-32 \leq \text{CH1_CAL3C}[5:0] \leq 31$. The calibration current gain is given by: $1 + (\text{CH1_CAL3C}[5:0] \cdot 0.00488)$

6.52 Channel 2 Color Calibration 3C (CH2_CAL3C) – Address 126

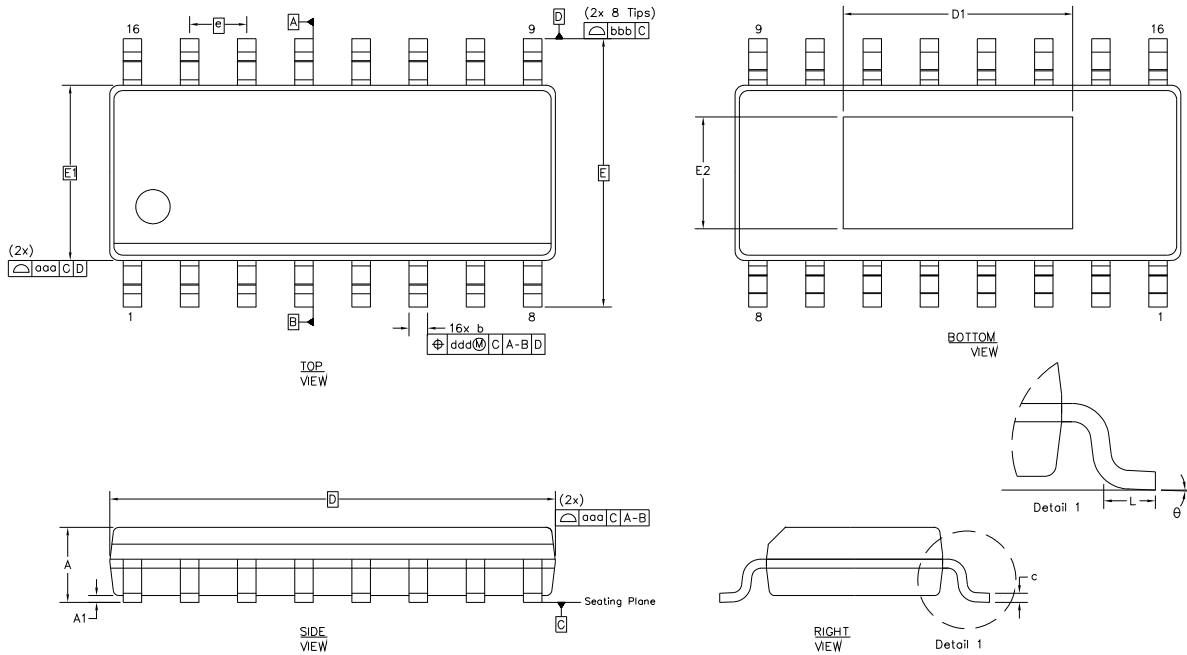
7	6	5	4	3	2	1	0
-	-	CH2_CAL3C5	CH2_CAL3C4	CH2_CAL3C3	CH2_CAL3C2	CH2_CAL3C1	CH2_CAL3C0

Number	Name	Description
[7:6]	-	Reserved
[5:0]	CH2_CAL3C[5:0]	Channel 2 color control system calibration value that scales the current of channel 2 within $\pm 15\%$. The value is a two's complement integer in the range of $-32 \leq \text{CH2_CAL3C}[5:0] \leq 31$. The calibration current gain is given by: $1 + (\text{CH2_CAL3C}[5:0] \cdot 0.00488)$

6.53 CRC Memory Tag 3C (CRC_MTAG3C) – Address 127

7	6	5	4	3	2	1	0
2^7	2^6	2^5	2^4	2^3	2^2	2^1	2^0

CRC Memory Tag 3C register used by the color control system. To activate the use of this register, the SET_3C bit must be programmed to '1' (see "Channel 1 Color Calibration 3C (CH1_CAL3C) – Address 125" on page 53). The CRC value is obtained by computing the CRC value for the registers at address 125 and 126.

7. PACKAGE DRAWING
16 SOICN (150 MIL BODY WITH EXPOSED PAD)


Dimension	mm			inch		
	MIN	NOM	MAX	MIN	NOM	MAX
A	--	--	1.75	--	--	0.069
A1	0.10	--	0.25	0.004	--	0.010
b	0.31	--	0.51	0.012	--	0.020
c	0.10	--	0.25	0.004	--	0.010
D	9.90BSC			0.390BSC		
D1	4.95	5.10	5.25	0.195	0.201	0.207
E	6.00BSC			0.236BSC		
E1	3.90BSC			0.154BSC		
E2	2.35	2.50	2.65	0.093	0.098	0.104
e	1.27BSC			0.05BSC		
L	0.40	--	1.27	0.016	--	0.050
θ	0°	--	8°	0°	--	8°
aaa	0.10			0.004		
bbb	0.25			0.010		
ddd	0.25			0.010		

1. Controlling dimensions are in millimeters.
2. Dimensions and tolerances per ASME Y14.5M.
3. This drawing conforms to JEDEC outline MS-012, variation AC for standard 16 SOICN narrow body.
4. Recommended reflow profile is per JEDEC/IPC J-STD-020.

8. ORDERING INFORMATION

Ordering Number	Container	AC Line Voltage	Temperature	Package Description
CS1630-FSZ	Bulk	120VAC	-40°C to +125°C	16-lead SOICN, Lead (Pb) Free
CS1630-FSZR	Tape & Reel			
CS1631-FSZ	Bulk	230VAC	-40°C to +125°C	16-lead SOICN, Lead (Pb) Free
CS1631-FSZ	Tape & Reel			

9. ENVIRONMENTAL, MANUFACTURING, & HANDLING INFORMATION

Model Number	Peak Reflow Temp	MSL Rating ^a	Max Floor Life ^b
CS1630-FSZ	260°C	3	7 Days
CS1631-FSZ	260°C	3	7 Days

a. MSL (Moisture Sensitivity Level) as specified by IPC/JEDEC J-STD-020.

b. Stored at 30°C, 60% relative humidity.

10. REVISION HISTORY

Revision	Date	Changes
PP1	OCT 2011	Edited for content
PP2	JAN 2012	Edited for clarity and corrected typographical errors
PP3	MAY 2012	Edited for content
PP4	MAY 2012	Corrected typographical errors
F1	MAY 2012	Corrected typographical errors
F2	DEC 2012	Edited context for clarity
F3	APR 2013	Edited I ² C Control Port protocol context for clarity

Contacting Cirrus Logic Support

For all product questions and inquiries contact a Cirrus Logic Sales Representative.
To find one nearest you go to <http://www.cirrus.com>

IMPORTANT NOTICE

Cirrus Logic, Inc. and its subsidiaries ("Cirrus") believe that the information contained in this document is accurate and reliable. However, the information is subject to change without notice and is provided "AS IS" without warranty of any kind (express or implied). Customers are advised to obtain the latest version of relevant information to verify, before placing orders, that information being relied on is current and complete. All products are sold subject to the terms and conditions of sale supplied at the time of order acknowledgment, including those pertaining to warranty, indemnification, and limitation of liability. No responsibility is assumed by Cirrus for the use of this information, including use of this information as the basis for manufacture or sale of any items, or for infringement of patents or other rights of third parties. This document is the property of Cirrus and by furnishing this information, Cirrus grants no license, express or implied under any patents, mask work rights, copyrights, trademarks, trade secrets or other intellectual property rights. Cirrus owns the copyrights associated with the information contained herein and gives consent for copies to be made of the information only for use within your organization with respect to Cirrus integrated circuits or other products of Cirrus. This consent does not extend to other copying such as copying for general distribution, advertising or promotional purposes, or for creating any work for resale.

CERTAIN APPLICATIONS USING SEMICONDUCTOR PRODUCTS MAY INVOLVE POTENTIAL RISKS OF DEATH, PERSONAL INJURY, OR SEVERE PROPERTY OR ENVIRONMENTAL DAMAGE ("CRITICAL APPLICATIONS"). CIRRUS PRODUCTS ARE NOT DESIGNED, AUTHORIZED OR WARRANTED FOR USE IN PRODUCTS SURGICALLY IMPLANTED INTO THE BODY, AUTOMOTIVE SAFETY OR SECURITY DEVICES, LIFE SUPPORT PRODUCTS OR OTHER CRITICAL APPLICATIONS. INCLUSION OF CIRRUS PRODUCTS IN SUCH APPLICATIONS IS UNDERSTOOD TO BE FULLY AT THE CUSTOMER'S RISK AND CIRRUS DISCLAIMS AND MAKES NO WARRANTY, EXPRESS, STATUTORY OR IMPLIED, INCLUDING THE IMPLIED WARRANTIES OF MERCHANTABILITY AND FITNESS FOR PARTICULAR PURPOSE, WITH REGARD TO ANY CIRRUS PRODUCT THAT IS USED IN SUCH A MANNER. IF THE CUSTOMER OR CUSTOMER'S CUSTOMER USES OR PERMITS THE USE OF CIRRUS PRODUCTS IN CRITICAL APPLICATIONS, CUSTOMER AGREES, BY SUCH USE, TO FULLY INDEMNIFY CIRRUS, ITS OFFICERS, DIRECTORS, EMPLOYEES, DISTRIBUTORS AND OTHER AGENTS FROM ANY AND ALL LIABILITY, INCLUDING ATTORNEYS' FEES AND COSTS, THAT MAY RESULT FROM OR ARISE IN CONNECTION WITH THESE USES.

Use of the formulas, equations, calculations, graphs, and/or other design guide information is at your sole discretion and does not guarantee any specific results or performance. The formulas, equations, graphs, and/or other design guide information are provided as a reference guide only and are intended to assist but not to be solely relied upon for design work, design calculations, or other purposes. Cirrus Logic makes no representations or warranties concerning the formulas, equations, graphs, and/or other design guide information.

Cirrus Logic, Cirrus, the Cirrus Logic logo designs, EXL Core, the EXL Core logo design are trademarks of Cirrus Logic, Inc. All other brand and product names in this document may be trademarks or service marks of their respective owners.

I²C is a trademark of Philips Semiconductor.

X-ON Electronics

Largest Supplier of Electrical and Electronic Components

Click to view similar products for [Cirrus manufacturer](#):

Other Similar products are found below :

[WM8750CBLGEFL](#) [CDB47L90-M-1](#) [CRD5381](#) [CRD42L52](#) [CRD44600-PH-FB](#) [CRD5463PM-Z](#) [CS2100P-CZZ](#) [CS47048C-CQZ](#) [CS5346-CQZ](#) [CS8900A-CQZ](#) [CDK5571](#) [CDB8421](#) [CDB8420](#) [CDB8416](#) [CDB5480U-Z](#) [CDB53L21](#) [CDB5346](#) [CDB470XS-DC28](#) [CDB4362A](#) [CDB4354](#) [CDB42L73](#) [CDB4207](#) [CDBWM8998-M-1](#) [CDB8427](#) [CDB5484U-Z](#) [CDB5463U-Z](#) [CDB5461AU](#) [CDB5340](#) [CDB470XS-DC48](#) [CDB4353](#) [CDB4350](#) [CDB42528](#) [CDB42518](#) [CDB3318](#) [CDB3310](#) [CDB3308](#) [WM8523GEDT/R](#) [CDKWM8750JL-S-1](#) [CDK47L24-S-1](#) [CDK47L85-S-1](#) [CDKWM8725-S-1](#) [CDBWM8725-M-1](#) [CDB7331P-M-2](#) [CDB6061-1](#) [CRD-HDMI-DC](#) [CS181022-CQZ](#) [CS5550-ISZ](#) [CS5361-KZZ](#) [CDB8422](#) [CDB4352](#)