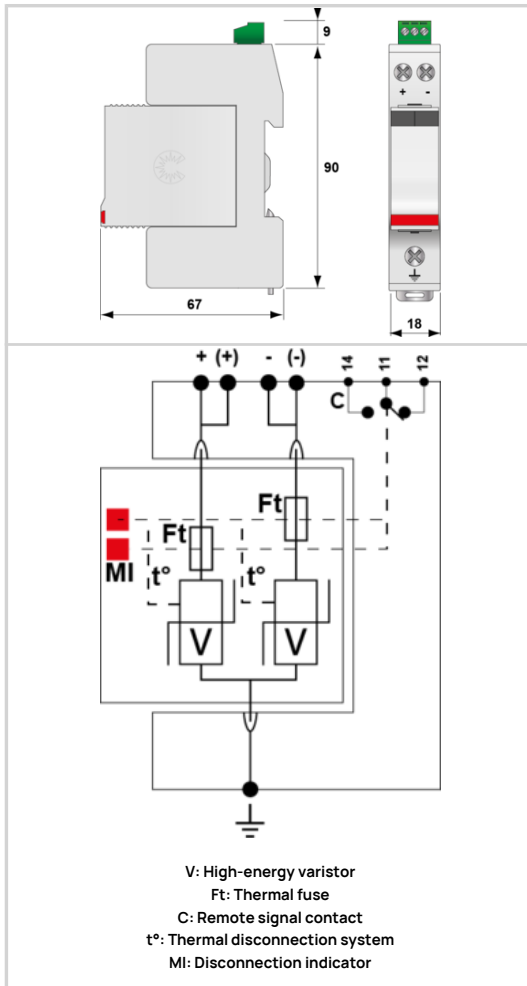


DS220S-24DC



- ↳ DC power surge protector
- 24Vdc
- I_{max}: 20kA
- Pluggable module
- Remote signaling
- Very low Up protection level



Installation		
Operating Temperature (Min)	°F	-40.0000
Operating Temperature (Max)	°F	185.0000
Operating Relative Humidity (Max)	%RH	up to 95% non-condensing at all temperatures
Operating Altitude (Min)	Ft	-100.0000
Operating Altitude (Max)	Ft	10000.0000
Electrical Characteristics		
Max. load current	IL	20 A
Total Maximum discharge current (max. total withstand @ 8 /20 μs)	I _{max} Total	40 kA
Protection mode(s)		Common mode
Protection level +/PE (-/PE) (@ I _n (8/20μs))	Up	250 V
POWER SPD TYPE		UL1449 TYPE 4CA
VOLTS	(V)	24
AC/DC/DC PV/RF		DC
PHASE	(PH)	-
AMPS	(A)	n/a
AMBIENT MIN	(C)	-35
AMBIENT MAX	(C)	+85
MODES		DC+-DC-, DC+-G, DC--G
MLVDC	(V)	580/560/490
MCOV	(V)	38/38/38
IN(15 impulses 8/20μs)	(kA)	10
SCCR	(kA)	n/a
IMAX(8/20μs)	(kA)	20
RELATIVE HUMIDITY	(%)	up to 95% non-condensing at all temperatures
Mechanical Characteristics		
Weight		0.111 kg
TECHNOLOGY		MOV
NETWORK CONFIGURATION		2W+G
CONNECTION METHOD		Screw Terminal (8-12AWG)
MOUNTING		DIN RAIL
MATERIAL		Thermoplastic UL94-V0
NEMA RATING (IP RATING)		NEMA 2 (IP20)
FAIL-SAFE BEHAVIOR		Disconnection via fuse-link
REAL-TIME DIAGNOSTICS		Visual indicator and remote contacts
DIMENSIONS		See diagram (mm)
WEIGHT		0.30 lbs
SPARE PART		DSM230-48DC
Standards		
Certification		UL listed
UL STANDARD		UL1449 4th Edition
UL CATEGORY		VZCA2, VZCA8
UL FILE NUMBER		E326289
STANDARDS		IEC 61643-11, NOM-003-SCFI-2014, NOM-001-SCFI-1993



DIN RAIL DC

DC POWER

DS220S-24DC

ENVIRONMENTAL STANDARDS	ROHS
Part number	
390511	



X-ON Electronics

Largest Supplier of Electrical and Electronic Components

Click to view similar products for [Surge Suppressors](#) category:

Click to view products by [Citel](#) manufacturer:

Other Similar products are found below :

[GUS1](#) [GUS12](#) [BSPM1A600D600LVR](#) [2800521](#) [29-2053](#) [GUS11](#) [GUS2](#) [GUS3](#) [GUS4](#) [30460](#) [SRA64C060X](#) [PC642C015](#) [1810-15-A3](#)
[2713175](#) [4B06B-EC1-150LF](#) [SRA6LC](#) [BPMA75D100LV](#) [CX06M](#) [CCTV1](#) [GUS13](#) [GUS14](#) [GUS5](#) [GUS6](#) [VAL-MS 320/3+0-FM](#) [VAL-US-](#)
[120/40/1+1-FM](#) [VAL-US-120/65/1+1-FM](#) [VAL-US-480D/30/3+0-FM](#) [VAL-US-120/40/1+0-FM](#) [STCHSP121BT1RU](#) [LP-BFDN-CW](#) [LP-](#)
[STRL-NFF](#) [LP-STRL-DFE](#) [GUS22](#) [0804111](#) [5053609](#) [5053201](#) [SPD2-150-1P0](#) [SPD2-550-1P0](#) [6720005416](#) [6720005417](#) [1-2191595-2](#)
[STC-CAT6-P0E-I](#) [SPD2-350-1P0](#) [FLT-CP-350-ST](#) [TTC-6P-3-HF-F-M-12DC-UT-I](#) [SMTPA200](#) [2800989](#) [2906776](#) [2906810](#) [2906847](#)