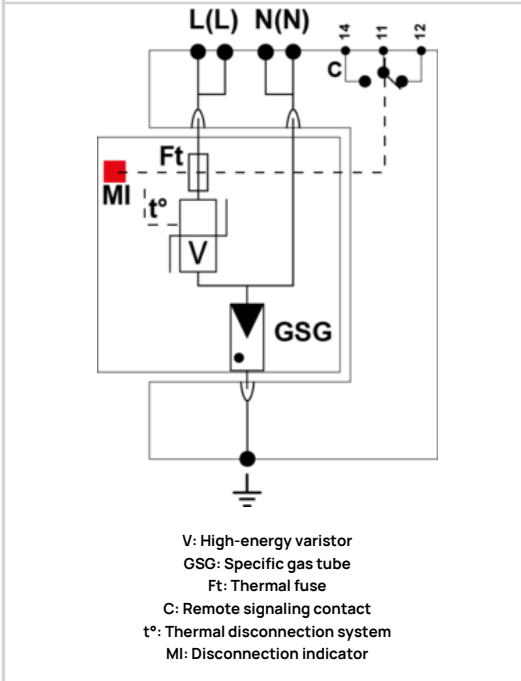
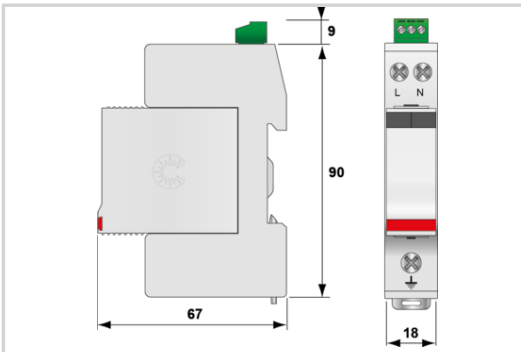


DS240S-230/G



- MOV+GSG Technology
- UL1449 TYPE 4CA
- 40kA Surge Current Rating per module
- Visual fault indicator and remote contacts
- 10-Year warranty



Option		
Remote status dry contact electrical rating(Max Voltage)	V	250.0000
Remote status dry contact electrical rating(Max Current)	A	0.5000
RFI Filter		No
Installation		
Wiring type		screw
Solid wire cross section (Min)	mm ²	1.5000
Solid Wire cross section (Max)	mm ²	16.0000
Stranded Wire cross section (Min)	mm ²	1.5000
Stranded wire cross section (Max)	mm ²	10.0000
Wire gauge (Min)	AWG	15.0000
Wire gauge (Max)	AWG	5.0000
Torque	Nm	1.2-1.5
Torque	in-lbs	10.6-13.3
Strip Length	mm	16.0000
Strip Length	in	0.6300
Operating Temperature (Min)	°C	-40.0000
Operating Temperature (Max)	°C	85.0000
Operating Temperature (Min)	°F	-40.0000
Operating Temperature (Max)	°F	85.0000
Operating Relative Humidity (Max)	%RH	95
Operating Altitude (Min)	Ft	2000.0000
Operating Altitude (Max)	Ft	6500.0000
Housing/Enclosure material		Thermoplastic
Flammability rating (UL 94)		V0
Mounting		Rail Din
IP Environmental rating (IP)		IP20
Installation Location		Indoor / outdoor
Spare part		Module
Product Dimension (L)	mm	90.0000
Product Dimension (H)	mm	67.0000
Product Dimension (W)	mm	18.0000
Product Dimension (L)	In	3.5400
Product Dimension (H)	In	2.6300
Product Dimension (W)	In	0.7100
Miscellaneous		
Individual Pack		Yes
Storage Temperature (Min)	°C	-40.0000
Storage Temperature (Max)	°C	85.0000
Storage Temperature (Min)	°F	-40.0000
Storage Temperature (Max)	°F	85.0000
Storage Relative Humidity (Max)	%RH	95.0000
Electrical Characteristics		
Total Maximum discharge current (max. total withstand @ 8	I _{max}	

DS240S-230/G

/20 μs)	Total	40 kA
Protection mode(s)		Common/Differential mode
POWER SPD TYPE		UL1449 TYPE 4CA
VOLTS	(V)	400/230
AC/DC/DC PV/RF		AC
PHASE	(PH)	1S
AMPS	(A)	n/a
AMBIENT MIN	(C)	-35
AMBIENT MAX	(C)	+60
MODES		L-N, L-G, N-G
MLV	(V)	-/1790/2240/1480
MCOV	(V)	-/255/255/255
IN(15 impulses 8/20μs)	(kA)	20
SCCR	(kA)	n/a
I _{MAX} (8/20μs)	(kA)	40
Mechanical Characteristics		
TECHNOLOGY		MOV+GSG
NETWORK CONFIGURATION		1PH, 2W+G, Single Phase
CONNECTION METHOD		Screw Terminal (8-12AWG)
MOUNTING		DIN RAIL
MATERIAL		Thermoplastic UL94-V0
NEMA RATING (IP RATING)		NEMA 2 (IP20)
FAIL-SAFE BEHAVIOR		Disconnection via fuse-link
REAL-TIME DIAGNOSTICS		Visual indicator and remote contacts
DIMENSIONS		See diagram (mm)
WEIGHT		0.30 lbs
Standards		
Certification		UL / CSA /EAC / TUV SUD
UL STANDARD		UL1449 4th Edition
UL CATEGORY		VZCA2, VZCA8
UL FILE NUMBER		E326289
STANDARDS		NOM-003-SCFI-2014, NOM-001-SCFI-1993
ENVIRONMENTAL STANDARDS		ROHS
Part number		
311731		

X-ON Electronics

Largest Supplier of Electrical and Electronic Components

Click to view similar products for [Surge Suppressors](#) category:

Click to view products by [Citel](#) manufacturer:

Other Similar products are found below :

[GUS1](#) [GUS12](#) [BSPM1A600D600LVR](#) [2800521](#) [29-2053](#) [GUS11](#) [GUS2](#) [GUS3](#) [GUS4](#) [30460](#) [SRA64C060X](#) [PC642C015](#) [1810-15-A3](#)
[2713175](#) [4B06B-EC1-150LF](#) [SRA6LC](#) [BPMA75D100LV](#) [CX06M](#) [CCTV1](#) [GUS13](#) [GUS14](#) [GUS5](#) [GUS6](#) [VAL-MS 320/3+0-FM](#) [VAL-US-](#)
[120/40/1+1-FM](#) [VAL-US-120/65/1+1-FM](#) [VAL-US-480D/30/3+0-FM](#) [VAL-US-120/40/1+0-FM](#) [STCHSP121BT1RU](#) [LP-BFDN-CW](#) [LP-](#)
[STRL-NFF](#) [LP-STRL-DFE](#) [GUS22](#) [0804111](#) [5053609](#) [5053201](#) [SPD2-150-1P0](#) [SPD2-550-1P0](#) [6720005416](#) [6720005417](#) [1-2191595-2](#)
[STC-CAT6-P0E-I](#) [SPD2-350-1P0](#) [FLT-CP-350-ST](#) [TTC-6P-3-HF-F-M-12DC-UT-I](#) [SMTPA200](#) [2800989](#) [2906776](#) [2906810](#) [2906847](#)