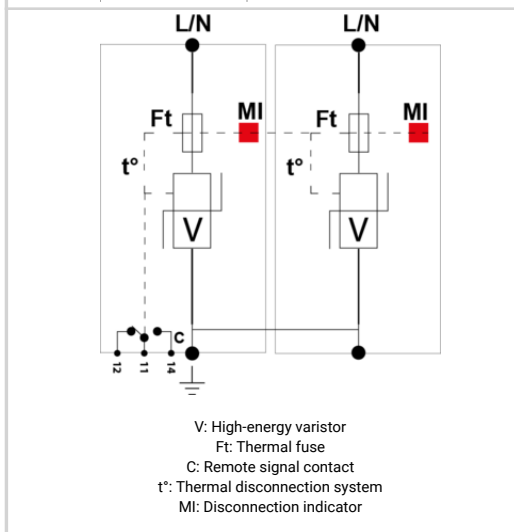
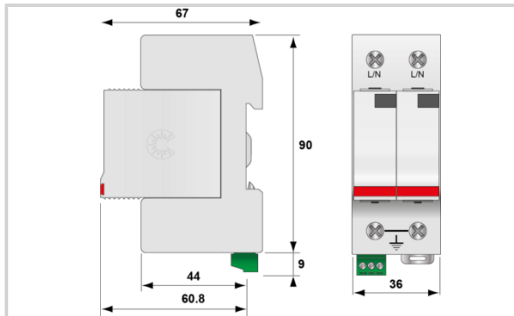


DS42S-120



- MOV Technology
- UL1449 Type 4CA
- 40kA Surge Current Rating
- Visual fault indicator and remote contacts
- 10-Year warranty



Electrical Characteristics		
Protection mode(s)		Common mode
POWER SPD TYPE		UL1449 TYPE 4CA
VOLTS	(V)	240/120
AC/DC/DC PV/RF		AC
PHASE	(PH)	1S
AMPS	(A)	n/a
AMBIENT MIN	(C)	-35
AMBIENT MAX	(C)	+60
MODES		L-L, L-G
MLV	(V)	1960/-/1240/-
MCOV	(V)	300/-/150/-
IN(15 impulses 8/20µs)	(kA)	20
SCCR	(kA)	n/a
IMAX(8/20µs)	(kA)	40
Iimp(10/350µs)	(kA)	4
Option		
Remote status dry contact electrical rating(Max Voltage)	V	250.0000
Remote status dry contact electrical rating(Max Current)	A	0.5000
RFI Filter		no
Installation		
Wiring type		Screw
Solid wire cross section(Min)	mm ²	2.5000
Solid Wire cross section(Max)	mm ²	35.0000
Stranded Wire cross section(Min)	mm ²	2.5000
Stranded wire cross section(Max)	mm ²	25.0000
Wire gauge(Min)	AWG	13.0000
Wire gauge(Max)	AWG	2.0000
Torque	Nm	2.0 - 2.5
Torque	in-lbs	17.8 - 22.1
Strip Length	mm	13.0000
Strip Length	in	0.5000
Operating Temperature(Min)	°C	-40.0000
Operating Temperature(Max)	°C	85.0000
Operating Temperature(Min)	°F	-40.0000
Operating Temperature(Max)	°F	85.0000
Operating Relative Humidity(Max)	%RH	95
Operating Altitude(Min)	Ft	2000.0000
Operating Altitude(Max)	Ft	6500.0000
Housing/Enclosure material		Thermoplastic
Flammability rating(UL 94)		V0
Mounting		Din Rail
IP Environmental rating(IP)		IP20
NEMA Environmental rating(NEMA)		NEMA 1
Installation Location		Indoor
Spare part		Module
Product Dimension(L)	mm	99.0000
Product Dimension(H)	mm	67.0000

DS42S-120

Product Dimension(W)	mm	36.0000
Product Dimension(L)	In	3.8900
Product Dimension(H)	In	2.6400
Product Dimension(W)	In	1.4200
Miscellaneous		
Individual Pack		Yes
Storage Temperature(Min)	°C	-40.0000
Storage Temperature(Max)	°C	85.0000
Storage Temperature(Min)	°F	-40.0000
Storage Temperature(Max)	°F	85.0000
Storage Relative Humidity(Max)	%RH	95.0000
Mechanical Characteristics		
TECHNOLOGY		MOV
NETWORK CONFIGURATION		1PH, 2W+G, Single Phase (or 2PH, 2W+G, Two Phase)
CONNECTION METHOD		Screw Terminal (8-12AWG)
MOUNTING		DIN RAIL
MATERIAL		Thermoplastic UL94-V0
NEMA RATING (IP RATING)		NEMA 2 (IP20)
FAIL-SAFE BEHAVIOR		Disconnection via fuse-link
REAL-TIME DIAGNOSTICS		Visual indicator and remote contacts
DIMENSIONS		See diagram (mm)
WEIGHT		0.60 lbs
SPARE PART		DSM40-120
Standards		
Certification		UL / EAC / TUV
UL STANDARD		UL1449 5th Edition
UL CATEGORY		VZCA2, VZCA8
UL FILE NUMBER		E326289
STANDARDS		NOM-003-SCFI-2014, NOM-001-SCFI-1993
ENVIRONMENTAL STANDARDS		ROHS
Part number		
461621		

X-ON Electronics

Largest Supplier of Electrical and Electronic Components

Click to view similar products for [Surge Suppressors](#) category:

Click to view products by [Citel](#) manufacturer:

Other Similar products are found below :

[0804000](#) [0804001](#) [0804003](#) [0804004](#) [0804005](#) [0804006](#) [0804007](#) [0804008](#) [0804009](#) [0804010](#) [0804011](#) [0804012](#) [0804013](#) [0804014](#)
[0804024](#) [0804025](#) [0804026](#) [0804027](#) [0804029](#) [0804030](#) [0804034](#) [0804035](#) [0804036](#) [0804037](#) [0804038](#) [0804039](#) [0804040](#) [0804041](#)
[0804042](#) [0804043](#) [0804047](#) [0804048](#) [0804049](#) [0804050](#) [0804099](#) [0804100](#) [0804101](#) [0804102](#) [0804103](#) [0804104](#) [0804105](#) [0804106](#)
[0804107](#) [0804108](#) [0804110](#) [0804111](#) [0804113](#) [0804114](#) [0804115](#) [0804116](#)