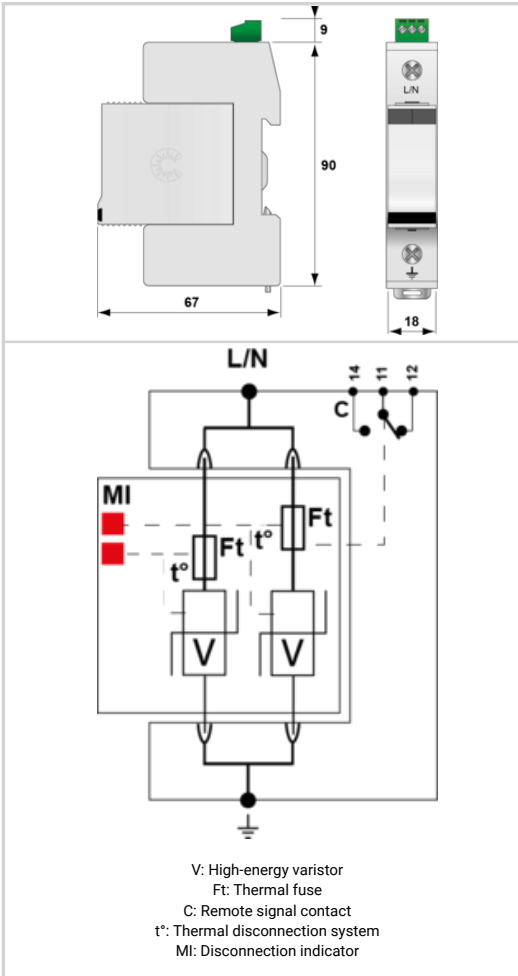


DS71RS-120



- Re-inforced Type 2 AC surge protector
- In : 30 kA
- Imax : 70 kA
- Pluggable module by phase
- Remote signaling
- IEC 61643-11, EN 61643-11 compliance
- UL1449 ed.5 approved



Electrical Characteristics	
SPD type	2
Network	120/208 V
Nominal line voltage	Un 120 Vac
Max. AC operating voltage	Uc 150 Vac
Temporary Over Voltage (TOV) Characteristics - 5 sec. Without disconnection	UT 180 Vac withstand
Temporary Over Voltage (TOV) Characteristics - 120 mn Without disconnection or with safety disconnection	UT 230 Vac disconnection
Residual Current Leakage current to Ground	Ipe < 1 mA
Follow current	If None
Nominal discharge current 15 x 8/20 μs impulses	In 30 kA
Max. discharge current max. withstand @ 8/20 μs by pole	Imax 70 kA
Total Maximum discharge current max. total withstand @ 8/20 μs	Imax Total 70 kA
Connection mode(s)	L/N or N/PE
Protection mode(s)	Common Mode or Differential Mode
Protection level @ In (8/20μs)	Up 1 kV
Residual voltage at 5 kA @ 5 kA (8/20μs)	Up-5kA 0.6 kV
Admissible short-circuit current	Iscrr 25 000 A
Mechanical Characteristics	
Technology	MOV
SPD configuration	1-pole
Connection to Network	By screw terminals: 2.5-25mm ² / by bus
Format	Plug-in modular box
Mounting	Symmetrical rail 35 mm (EN 60715)
Housing material	Thermoplastic UL94 V-0
Operating temperature	Tu -40/+85°C
Protection rating	IP20
Failsafe mode	Disconnection from AC network
Disconnection indicator	2 mechanical indicators by pole
Spare module(s)	DSM70R-120
Remote signaling of disconnection	Output on changeover contact
Dimensions	See diagram
Weight	0.12 kg
Disconnectors	
Thermal disconnector	Internal
Installation ground fault breaker	Type 'S' or delayed
Fuses	100 A min. - 125 A max. - Fuses type gG
Standards	
Standards compliance	IEC 61643-11 / EN 61643-11 / UL1449 ed.5
Certification	UL Recognized
Part number	
321611	

X-ON Electronics

Largest Supplier of Electrical and Electronic Components

Click to view similar products for [Surge Suppressors](#) category:

Click to view products by [Citel](#) manufacturer:

Other Similar products are found below :

[2800521](#) [GUS11](#) [GUS4](#) [30460](#) [IE103](#) [SRA64C060X](#) [PC642C015](#) [1810-15-A3](#) [2713175](#) [4B06B-EC1-150LF](#) [SRA6LC](#) [CX06M](#) [CCTV1](#)
[GUS13](#) [GUS14](#) [GUS5](#) [VAL-MS 320/3+0-FM](#) [TTC-6-1X2-M-24DC-UT-I](#) [TTC-6P-1X2-24DC-UT-I](#) [TTC-6P-1X2-M-24DC-UT-I](#) [VAL-](#)
[SEC-T2-1S-350-FM](#) [VAL-US-120/40/1+1-FM](#) [VAL-US-120/65/1+1-FM](#) [VAL-US-480D/30/3+0-FM](#) [VAL-US-120/40/1+0-FM](#)
[STCHSP121BT1RU](#) [LP-GTR-NFF](#) [LP-BFDN-CW](#) [LP-STRL-NFF](#) [LP-STRL-DFF](#) [0804111](#) [5053609](#) [5053201](#) [SPD2-150-1P0](#) [SPD2-550-](#)
[1P0](#) [1-2191595-2](#) [STC-CAT6-P0E-I](#) [SPD2-350-1P0](#) [SPD2-550-3P0](#) [FLT-CP-350-ST](#) [TTC-6P-3-HF-F-M-12DC-UT-I](#) [TTC-6-2X1-24DC-UT](#)
[LTC4364CMS-1#TRPBF](#) [DS71RS-120](#) [P8AX09-T/MF](#) [CRMJ8-POE-C6](#) [DS42S-48DC](#) [MJ8-CAT6S](#) [DS41S-280](#) [3414.99.0021](#)