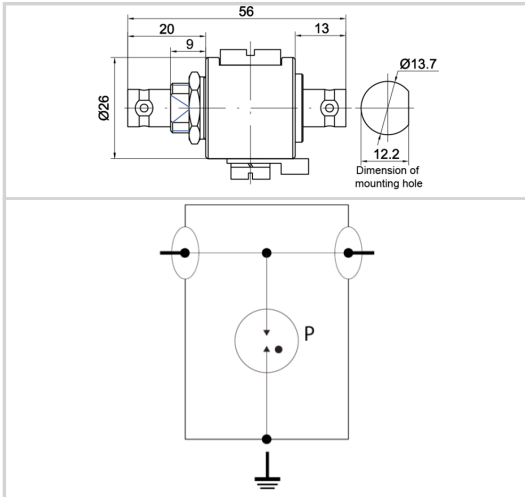


P8AX09-B/FF



↳ 4GHz Bi-Directional Coaxial Surge Protector - High Energy GDT Technology - Low Insertion Loss - Field Replaceable GDT - Waterproof Design - DC Pass - UL497E Listed



Installation		
Operating Temperature (Min)	°C	-45.0000
Operating Temperature (Max)	°C	85.0000
Operating Temperature (Min)	°F	-50.0000
Operating Temperature (Max)	°F	85.0000
Operating Relative Humidity (Max)	%RH	Can be submerged
Operating Altitude (Min)	Ft	2000.0000
Operating Altitude (Max)	Ft	6500.0000
Housing/Enclosure material		Cu, Zn, Sn plated Brass
Mounting		Bracket or through hole
IP Environmental rating (IP)		IP65
NEMA Environmental rating (NEMA)		NEMA 4
Installation Location		Indoor / outdoor
Spare part		BB HF 90/20
Accessories		BK
Product Dimension (L)	mm	56.0000
Product Dimension (H)	mm	26.0000
Product Dimension (W)	mm	12.2000
Product Dimension (L)	In	2.2000
Product Dimension (H)	In	1.0200
Product Dimension (W)	In	0.4800
Miscellaneous		
Individual Pack		No
Storage Temperature (Min)	°C	-40.0000
Storage Temperature (Max)	°C	85.0000
Storage Temperature (Min)	°F	-40.0000
Storage Temperature (Max)	°F	85.0000
Electrical Characteristics		
Frequency range	f	DC-3.5 GHz
Insertion loss		< 0.2 dB
Return loss		> 20 dB
Impedance		50 ohms
VSWR		<1.2:1
Max. load current	IL	10 A
Protection mode(s)		Common mode
Impulse current (2 x 10/350µs Test - D1 Category)	Iimp	1 kA
Nominal discharge current (8/20µs Test x 10 - C2 Category)	In	5 kA
Max Power		25 W
DC Pass		true
Insulation resistance	IR	≥10 GOhms
RF Power (Maximum)	W	25.0000
Return Loss (Minimum)	db	>20
VSWR (Maximum)	:1	<1.2:1
Max Total Discharge Current (Imax (8/20µs x 1))	kA	10.0000
Max Discharge Current (Imax (8/20µs x 1))	kA	10.0000

P8AX09-B/FF

DC Pass		Yes
RF SPD TYPE		UL497E LISTED
VOLTS	(V)	48
AC/DC/DC PV/RF		RF
WIRES		1W+GROUND
LINE CURRENT MAX	(A)	10
AMBIENT MIN	(C)	-40
AMBIENT MAX	(C)	+85
IN(10 impulses 8/20µs)	(kA)	10.0000
IMAX(8/20µs)	(kA)	20
FREQUENCY RANGE	(GHz)	0-4.0
INSERTION LOSS	(db)	< 0.2
RETURN LOSS	(db)	>22
VSWR		< 1.25:1
<b>Mechanical Characteristics</b>		
Outdoor application		Yes
Contacts		Bronze/Surface Au-Ag
Insulation material		PTFE
Weight		0.103 kg
TECHNOLOGY		GDT
CONNECTION METHOD		SERIES CONNECTOR, BI-DIRECTIONAL
MOUNTING		BULKHEAD, OPTIONAL BRACKET
MATERIAL		Cu, Zn, Sn plated Brass, PTFE
NEMA RATING (IP RATING)		NEMA 6P (IP67)
DIMENSIONS		See diagram (mm)
WEIGHT		0.30 lbs
<b>Standards</b>		
RohS compliance		Yes
UL STANDARD		UL497E
UL CATEGORY		QVLA
UL FILE NUMBER		E349646
STANDARDS		NOM-003-SCFI-2014, NOM-001-SCFI-1993
ENVIRONMENTAL STANDARDS		ROHS
<b>Part number</b>		
<b>60111</b>		

## X-ON Electronics

Largest Supplier of Electrical and Electronic Components

*Click to view similar products for [Surge Suppressors](#) category:*

*Click to view products by [Citel](#) manufacturer:*

Other Similar products are found below :

[GUS1](#) [GUS12](#) [BSPM1A600D600LVR](#) [2800521](#) [29-2053](#) [GUS11](#) [GUS2](#) [GUS3](#) [GUS4](#) [30460](#) [SRA64C060X](#) [PC642C015](#) [1810-15-A3](#)  
[2713175](#) [4B06B-EC1-150LF](#) [SRA6LC](#) [BPMA75D100LV](#) [CX06M](#) [CCTV1](#) [GUS13](#) [GUS14](#) [GUS5](#) [GUS6](#) [VAL-MS 320/3+0-FM](#) [VAL-US-](#)  
[120/40/1+1-FM](#) [VAL-US-120/65/1+1-FM](#) [VAL-US-480D/30/3+0-FM](#) [VAL-US-120/40/1+0-FM](#) [STCHSP121BT1RU](#) [LP-BFDN-CW](#) [LP-](#)  
[STRL-NFF](#) [LP-STRL-DFE](#) [GUS22](#) [0804111](#) [5053609](#) [5053201](#) [SPD2-150-1P0](#) [SPD2-550-1P0](#) [6720005416](#) [6720005417](#) [1-2191595-2](#)  
[STC-CAT6-P0E-I](#) [SPD2-350-1P0](#) [FLT-CP-350-ST](#) [TTC-6P-3-HF-F-M-12DC-UT-I](#) [SMTPA200](#) [2800989](#) [2906776](#) [2906810](#) [2906847](#)