

AT-CUT CRYSTAL UNIT (SMD · Plastic Package)

RoHS compliant

CM309E

1,000pcs/reel



■ FEATURES

- Frequency range : 4.0 ~ 64.0MHz
- External dimensions (mm)
L : 11.7 x W : 4.8 x H : 3.7
- Applications
Consumer products

■ DIMENSION [mm]



■ SOLDER PAD LAYOUT [mm]



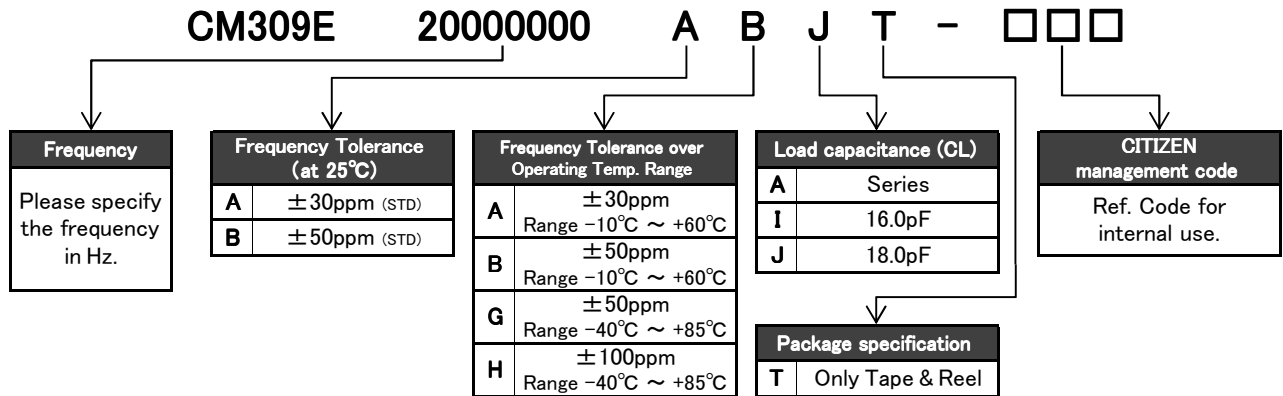
■ STANDARD SPECIFICATIONS

Item	Model	CM309E	Conditions
Nominal Frequency	f_0	4.0MHz ~ 29.999MHz (Fundamental) 30.0MHz ~ 64.0MHz (3rd Overtone)	Please contact us for frequencies available
Frequency Tolerance	$\Delta f/f_0$	$\pm 30\text{ppm}$	at 25°C
Frequency Tolerance over Operating Temperature Range	$\Delta f/f_0$	below 5.5MHz: $\pm 50\text{ppm}$ above 5.5MHz: $\pm 30\text{ppm}$	-10°C ~ +60°C
Operating Temperature Range	T_{OPR}	-40°C ~ +85°C	
Storage Temperature Range	T_{STR}	-55°C ~ +125°C	
Motional (series) resistance	R_1	Refer to the following table	at 25°C
Load capacitance	C_L	16.0pF / 18.0pF / Series	Please specify your requirement
Shunt capacitance	C_0	5.0pF Max.	
Level of drive	DL	2mW Max.	
Insulation Resistance	I_R	500MΩ Min.	DC100V \pm 15V
Aging (first year)	$\Delta f/f_0$	$\pm 5\text{ppm}$ Max.	25°C \pm 3°C

■ MOTIONAL (SERIES) RESISTANCE (R₁)

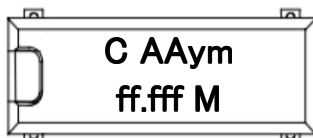
Freq. Range (MHz)	4.0 ≤ f ₀ < 5.5	5.5 ≤ f ₀ < 6.0	6.0 ≤ f ₀ < 10.0	10.0 ≤ f ₀ < 12.0	12.0 ≤ f ₀ < 16.0	16.0 ≤ f ₀ < 30.0	30.0 ≤ f ₀ < 36.0	36.0 ≤ f ₀ < 64.0
Mode	Fundamental	Fundamental	Fundamental	Fundamental	Fundamental	Fundamental	3rd Overtone	3rd Overtone
R ₁	150Ω Max.	100Ω Max.	80Ω Max.	60Ω Max.	50Ω Max.	40Ω Max.	100Ω Max.	80Ω Max.

■ PART NUMBERING SYSTEM



*Please contact us for specifications available.

■ Part Marking [standard]

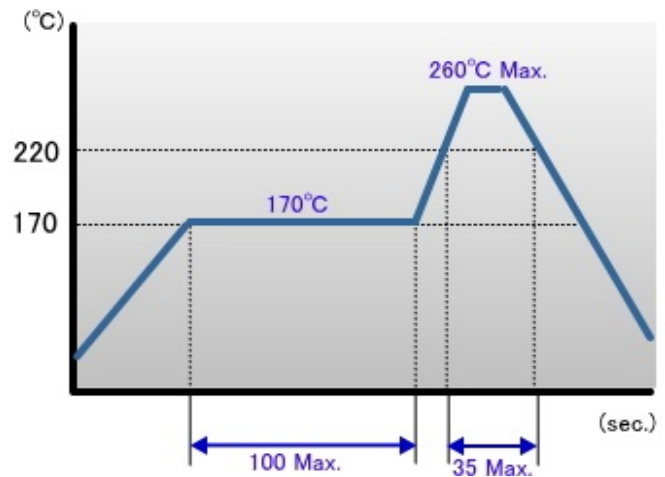


- C AA : Manufacture's ID Code
- y : The last digit of production year
- m : Production month (See Table.1)
- ff.fff : Frequency
- M : MHz

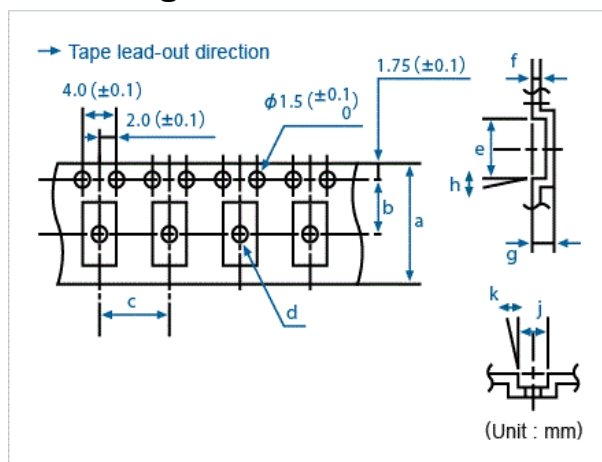
Table.1

Month	Jan	Feb	...	Sep	Oct	Nov	Dec
Code	1	2	...	9	X	Y	Z

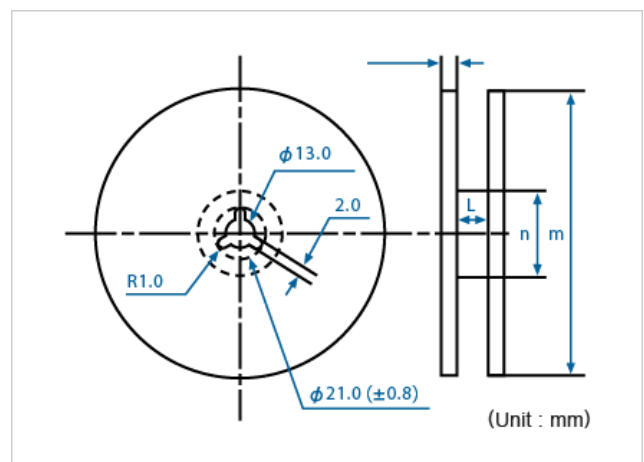
■ Reflow profile



■ Packing



Conforming to JIS C 0806 TB1208NEIAJ and RC-1009B TE1208N



Conforming to JIS C 0806 R12R and EIAJ RC-1009B R15

Q'ty/reel	a	b	c	d(φ)	e	f	g	h	j	k	l	m(φ)	n(φ)
1,000	24.0	11.5	12.0	1.5	11.9	0.4	4.0	5°	4.9	5°	25.5	330	100

Rev.1

X-ON Electronics

Largest Supplier of Electrical and Electronic Components

Click to view similar products for [Crystals](#) category:

Click to view products by [Citizen](#) manufacturer:

Other Similar products are found below :

[MC405 32.0000K-R3:PURE SN](#) [7A-40.000MAAE-T](#) [MP1-8.0 99-BU](#) [9B-15.360MBBK-B](#) [PTX-A2JM-10.000M](#) [9C-7.680MBBK-T](#) [H10S-12.000-18-EXT-TR](#) [R38-32.768-12.5-5PPM-NPB](#) [BTD1062E05A-513](#) [21U15A-21.4MHZ](#) [RTX-781DF1-S-20.950](#) [LFXTAL066198Cutt](#) [9C-14.31818MBBK-T](#) [A-11.000MHZ-27](#) [SPT2A-.032768B](#) [SPT2A.032768G](#) [SSPT7F-9PF20-R](#) [FX325BS-38.88EEM1201](#) [MP-1-25.000MHZ-3L](#) [MP-1-6.000MHZ](#) [LFXTAL065253Cutt](#) [LFXTAL066431Cutt](#) [XT9S20ANA14M7456](#) [XT9SNLANA16M](#) [646G-24-2](#) [7A-24.576MBBK-T](#) [7B-30.000MBBK-T](#) [7A-14.31818MBBK-T](#) [6526-202-1501](#) [BTJ120E02C](#) [SG636PCE-20.000MC](#) [3404](#) [CM315D32768EZFT](#) [C1E-24.000-7-2020-R](#) [C1E-19.200-12-1530-X-R](#) [C1E-16.000-12-1530-X-R](#) [ABM11-16.000MHZ-9-B1U-T](#) [FL5000014](#) [EUCA18-3.1872M](#) [425F35E027M0000](#) [17196](#) [ABM3-13.52313MHZ-10-B4Y-T](#) [MS3V-T1R-32.768kHz-7pF-20PPM-TA-QC-Au](#) [VXM7-1C1-16M000](#) [MS1V-T1K-32.768kHz-10pF-20PPM-TA-QC-Au](#) [MS3V-T1R-32.768kHz-9pF-20PPM-TA-QC-Au](#) [ECS-80-18-30-JGN-TR](#) [17000](#) [17301](#)