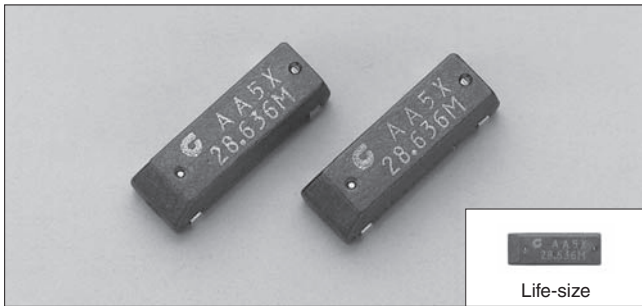


# AT-CUT CRYSTAL UNIT (SMD • Plastic Package)

## CM309S

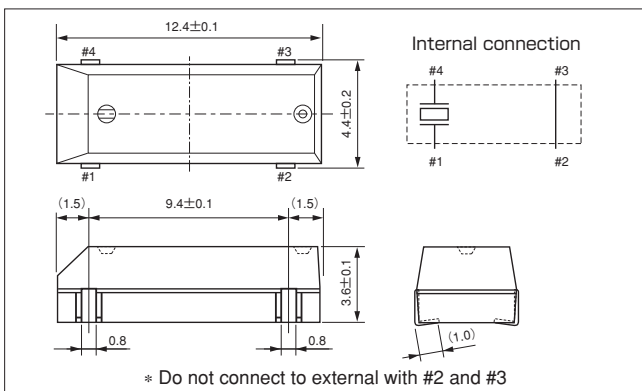
1000pcs/reel



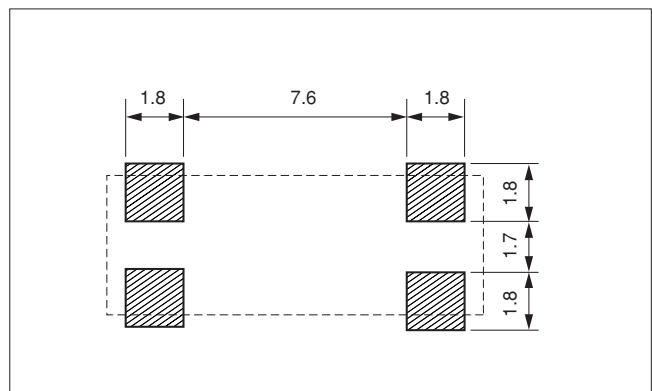
### FEATURES

- Embedded with heat resistant cylinder type crystal bring highly stable characteristics.
- Automatic mounting and reflowable type.
- Suitable for various applications such as communication devices, AV devices, automotive devices and measuring instruments.

### DIMENSION [mm]



### SOLDER PAD LAYOUT [mm]



### STANDARD SPECIFICATIONS

Item	Model	CM309S	Conditions
Nominal Frequency	f <sub>0</sub>	3.5MHz~34.0MHz (Fundamental)	Need to contact us for the available frequency
		27.0MHz~70.0MHz (3rd Overtone)	
Frequency Tolerance	$\Delta f/f_0$	$\pm 30\text{ppm}$	at 25°C
Frequency Tolerance over Operating Temperature Range	$\Delta f/f_0$	below 6.0MHz: $\pm 50\text{ppm}$	-10°C ~ +60°C
		above 6.0MHz: $\pm 30\text{ppm}$	See figure 3 in P4
Operating Temperature Range	T <sub>OPR</sub>	-40°C ~ +85°C	
Storage Temperature Range	T <sub>STR</sub>	-55°C ~ +125°C	
Motional (series) resistance	R <sub>1</sub>	Refer to the following table	at 25°C
Load capacitance	C <sub>L</sub>	16.0pF, 18.0pF	Need to specify your requirement
Shunt capacitance	C <sub>0</sub>	7.0pF Max.	
Level of drive	DL	100 μW	
Insulation Resistance	I <sub>R</sub>	500MΩ Min.	DC100V±15V
Aging (first year)	$\Delta f/f_0$	$\pm 5\text{ppm Max.}$	25°C±3°C

### MOTIONAL (SERIES) RESISTANCE (R<sub>1</sub>)

Frequency Range	3.5MHz ≤ f <sub>0</sub> < 4.0MHz	4.0MHz ≤ f <sub>0</sub> < 6.0MHz	6.0MHz ≤ f <sub>0</sub> < 10MHz	10MHz ≤ f <sub>0</sub> < 27MHz	27MHz ≤ f <sub>0</sub> < 36MHz	36MHz ≤ f <sub>0</sub> ≤ 70MHz
Mode	Fundamental	Fundamental	Fundamental	Fundamental	Fundamental	3rd Overtone
R <sub>1</sub>	200Ω Max.	150Ω Max.	100Ω Max.	50Ω Max.	50Ω Max.	100Ω Max.
						80Ω Max.

## X-ON Electronics

Largest Supplier of Electrical and Electronic Components

*Click to view similar products for [Crystals](#) category:*

*Click to view products by [CITIZEN](#) manufacturer:*

Other Similar products are found below :

[CS325S24000000ABJT](#) [718-13.2-1](#) [MC405 32.0000K-R3:PURE SN](#) [FC-135R 32.7680KF-A3](#) [7A-40.000MAAE-T](#) [7B-27.000MBBK-T](#)  
[FL2000085](#) [9B-15.360MBBK-B](#) [9C-7.680MBBK-T](#) [ASH7K-32.768KHZ](#) [AT-41.600MAGQ-T](#) [BTD1062E05A-513](#) [LFX TAL066198Cutt](#)  
[9C-14.31818MBBK-T](#) [FA-238 50.0000MB30X-K3](#) [FC-12M 32.7680KA-AC3](#) [SSPT7F-9PF20-R](#) [FX325BS-38.88EEM1201](#)  
[LFX TAL065253Cutt](#) [LFX TAL066431Cutt](#) [XT9S20ANA14M7456](#) [XT9SNLANA16M](#) [646G-24-2](#) [7A-24.576MBBK-T](#) [7B-30.000MBBK-T](#)  
[WX26-32.768K-6PF](#) [9B-14.31818MBBK-B](#) [CD1AM](#) [7B-25.000MAAE-T](#) [7A-14.31818MBBK-T](#) [6504-202-1501](#) [6526-202-1501](#) [FA-118T](#)  
[27.1200MB50P-K0](#) [FC-135R 32.7680KA-A3](#) [ABM12-104-37.400MHZT](#) [ABLS-10.000MHZ-D3W-T](#) [BTJ112E01E-513](#) [BTJ722K01C-7067](#)  
[BTL-20-513](#) [TSX-3225 24.0000MF15X-AC](#) [TSX-3225 16.0000MF18X-AC](#) [BTJ120E02C](#) [BTL-12-513](#) [7A-10.000MBBK-T](#) [7A-](#)  
[11.0592MBBK-T](#) [ABM12-103-24.000MHZT](#) [CS325S25000000ABJT](#) [ABM3B-25.000MHZ-B2-X-T](#) [FC-135 32.7680KA-A5](#) [FX0800015](#)