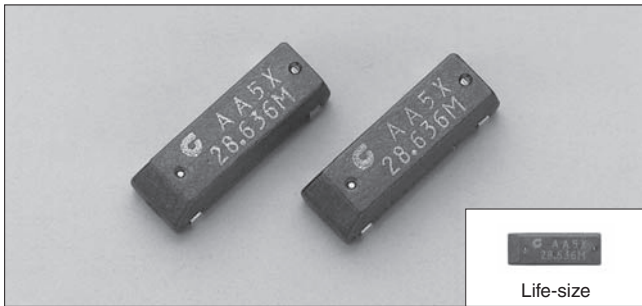


AT-CUT CRYSTAL UNIT (SMD • Plastic Package)

CM309S

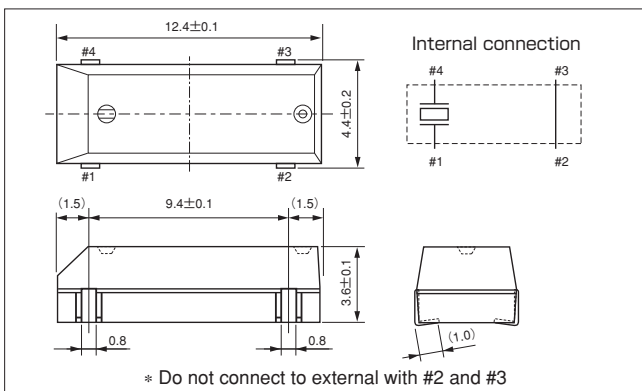
1000pcs/reel



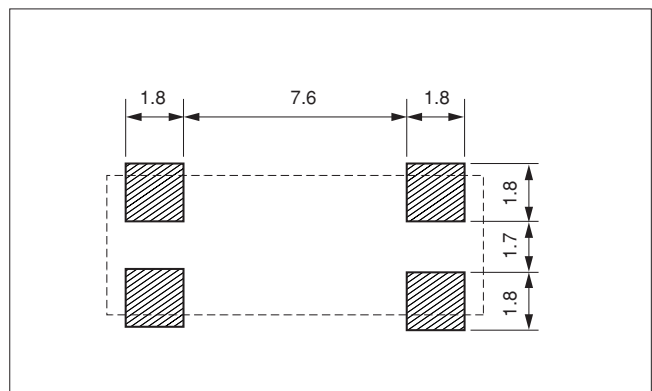
FEATURES

- Embedded with heat resistant cylinder type crystal bring highly stable characteristics.
- Automatic mounting and reflowable type.
- Suitable for various applications such as communication devices, AV devices, automotive devices and measuring instruments.

DIMENSION [mm]



SOLDER PAD LAYOUT [mm]



STANDARD SPECIFICATIONS

Item	Model	CM309S	Conditions
Nominal Frequency	f ₀	3.5MHz~34.0MHz (Fundamental)	Need to contact us for the available frequency
		27.0MHz~70.0MHz (3rd Overtone)	
Frequency Tolerance	$\Delta f/f_0$	± 30 ppm	at 25°C
Frequency Tolerance over Operating Temperature Range	$\Delta f/f_0$	below 6.0MHz: ± 50 ppm	-10°C ~ +60°C
		above 6.0MHz: ± 30 ppm	See figure 3 in P4
Operating Temperature Range	T _{OPR}	-40°C ~ +85°C	
Storage Temperature Range	T _{STR}	-55°C ~ +125°C	
Motional (series) resistance	R ₁	Refer to the following table	at 25°C
Load capacitance	C _L	16.0pF, 18.0pF	Need to specify your requirement
Shunt capacitance	C ₀	7.0pF Max.	
Level of drive	DL	100 μ W	
Insulation Resistance	I _R	500M Ω Min.	DC100V ± 15 V
Aging (first year)	$\Delta f/f_0$	± 5 ppm Max.	25°C ± 3 °C

MOTIONAL (SERIES) RESISTANCE (R₁)

Frequency Range	3.5MHz \leq f ₀ < 4.0MHz	4.0MHz \leq f ₀ < 6.0MHz	6.0MHz \leq f ₀ < 10MHz	10MHz \leq f ₀ < 27MHz	27MHz \leq f ₀ < 36MHz	36MHz \leq f ₀ \leq 70MHz
Mode	Fundamental	Fundamental	Fundamental	Fundamental	Fundamental	3rd Overtone
R ₁	200 Ω Max.	150 Ω Max.	100 Ω Max.	50 Ω Max.	50 Ω Max.	100 Ω Max.
						80 Ω Max.

X-ON Electronics

Largest Supplier of Electrical and Electronic Components

Click to view similar products for [Crystals](#) category:

Click to view products by [CITIZEN](#) manufacturer:

Other Similar products are found below :

[CS325S24000000ABJT](#) [718-13.2-1](#) [MC405 32.0000K-R3:PURE SN](#) [FC-135R 32.7680KF-A3](#) [7A-40.000MAAE-T](#) [7B-27.000MBBK-T](#) [9B-15.360MBBK-B](#) [9C-7.680MBBK-T](#) [AT-41.600MAGQ-T](#) [BTD1062E05A-513](#) [LFXTAL066198Cutt](#) [9C-14.31818MBBK-T](#) [FC-12M 32.7680KA-AC3](#) [FC-12M 32.7680KA-X3](#) [SSPT7F-9PF20-R](#) [FX325BS-38.88EEM1201](#) [LFXTAL065253Cutt](#) [LFXTAL066431Cutt](#) [XT9S20ANA14M7456](#) [XT9SNLANA16M](#) [646G-24-2](#) [7B-30.000MBBK-T](#) [9B-14.31818MBBK-B](#) [CD1AM](#) [FC-135R 32.7680KA-E3](#) [6504-202-1501](#) [6526-202-1501](#) [FA-118T 27.1200MB50P-K0](#) [ABM12-104-37.400MHZT](#) [BTJ722K01C-7067](#) [BTL-20-513](#) [BTJ120E02C](#) [ABM12-103-24.000MHZT](#) [CS325S25000000ABJT](#) [FX0800015](#) [FP0800018](#) [3404](#) [ABL-4.000MHZ-DI](#) [CM1610H32768DZFT](#) [ABM11-16.000MHZ-9-B1U-T](#) [FL5000014](#) [EUCA18-3.1872M](#) [FX0800015](#) [CS325S13000000ABJT](#) [CS325S33333300ABJT](#) [425F35E027M0000](#) [FP0800018](#) [CS325S32000000ABJT](#) [17196](#) [MS3V-T1R-32.768kHz-7pF-20PPM-TA-QC-Au](#)