

# TUNING FORK CRYSTAL UNIT (SMD • Jacket Type)

RoHS compliant / Pb free

## CMJ206T

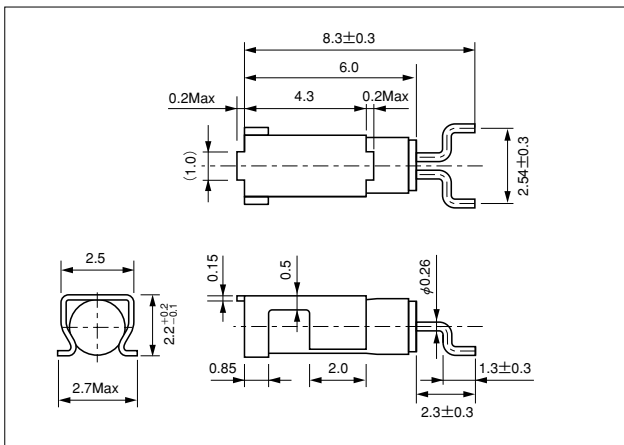
3000pcs/reel



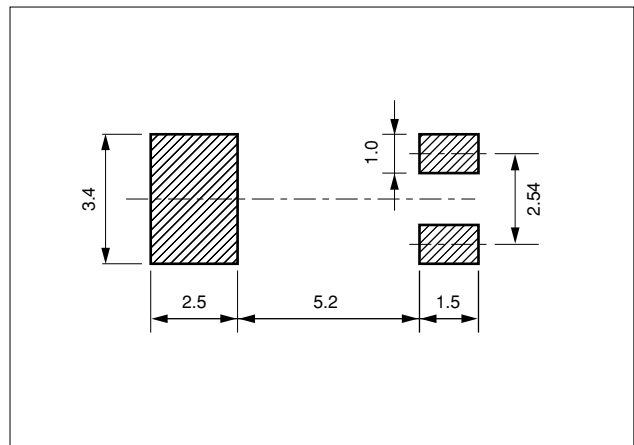
### FEATURES

- High-density mounting SMD with jacket.
- Most appropriate for clock source for portable and other various equipment with low power consumption.

### DIMENSION [mm]



### SOLDER PAD LAYOUT [mm]



### STANDARD SPECIFICATIONS

| Item                         | Model          | CMJ206T                               | Conditions                       |
|------------------------------|----------------|---------------------------------------|----------------------------------|
| Nominal Frequency            | $f_0$          | 32.768kHz                             |                                  |
| Frequency Tolerance          | $\Delta f/f_0$ | $\pm 20$ ppm                          | at 25°C                          |
| Load capacitance             | $C_L$          | 12.5pF                                | Need to specify your requirement |
| Operating Temperature Range  | $T_{OPR}$      | -40°C ~ +85°C                         |                                  |
| Storage Temperature Range    | $T_{STR}$      | -55°C ~ +125°C                        |                                  |
| Turnover Temperature         | $T_M$          | 25°C $\pm$ 5°C                        |                                  |
| Temperature Coefficient      | $\beta$        | -0.034 $\pm$ 0.006ppm/°C <sup>2</sup> |                                  |
| Motional (series) resistance | $R_1$          | 50K $\Omega$ Max.                     | at 25°C                          |
| Level of drive               | DL             | 1 $\mu$ W Max.                        |                                  |
| Aging (first year)           | $\Delta f/f_0$ | $\pm 3$ ppm Max.                      | 25°C $\pm$ 3°C                   |
| Shunt capacitance            | $C_0$          | 1.35pF Typ.                           |                                  |

# PART NUMBERING SYSTEM

## Tuning Fork Crystal Units

When ordering or inquiring, please specify Part Number according to the following.

(Example Part Number)

**CM315D**

**Model**

CFS-206  
CFS-145  
CFV-206  
CMR200T  
CMJ206T  
CM200C  
CM250C  
CM519  
CM415  
CM315D  
CM212

**32 768**

**Frequency**

Please mention numeral of the frequency in Hz unit.

**Frequency Tolerance (at 25°C)**

A +/-30ppm (STD)  
B +/-50ppm  
C +/-100ppm  
D +/-20ppm (STD) 32.768kHz  
E +/-10ppm  
F +/-15ppm  
G +/-25ppm  
H +/-5ppm  
Z Others

\* Standard shall differ subject to frequency.

**D Z F T - X X X**

**CTZ management code**

To be assigned by CTZ after all specifications were fixed.

**TAPE & REEL SPECIFICATION**

T Tape & Reel  
B Bulk

**Load capacitance (CL)**

|                |          |
|----------------|----------|
| A Series       | G 13.0pF |
| B 6.0pF        | Q 10.0pF |
| C 9.0pF (STD)  | S 11.0pF |
| D 9.5pF        | V 8.0pF  |
| E 12.0pF       | Y 7.0pF  |
| F 12.5pF (STD) | Z Others |

**Frequency Tolerance over Operating Temperature Range**

Z Standard Spec.

## X-ON Electronics

Largest Supplier of Electrical and Electronic Components

*Click to view similar products for [Crystals](#) category:*

*Click to view products by [CITIZEN](#) manufacturer:*

Other Similar products are found below :

[CS325S24000000ABJT](#) [718-13.2-1](#) [MC405 32.0000K-R3:PURE SN](#) [FC-135R 32.7680KF-A3](#) [7A-40.000MAAE-T](#) [7B-27.000MBBK-T](#)  
[FL2000085](#) [9B-15.360MBBK-B](#) [9C-7.680MBBK-T](#) [ASH7K-32.768KHZ](#) [AT-41.600MAGQ-T](#) [BTD1062E05A-513](#) [LFX TAL066198Cutt](#)  
[9C-14.31818MBBK-T](#) [FA-238 50.0000MB30X-K3](#) [FC-12M 32.7680KA-AC3](#) [SSPT7F-9PF20-R](#) [FX325BS-38.88EEM1201](#)  
[LFX TAL065253Cutt](#) [LFX TAL066431Cutt](#) [XT9S20ANA14M7456](#) [XT9SNLANA16M](#) [646G-24-2](#) [7A-24.576MBBK-T](#) [7B-30.000MBBK-T](#)  
[WX26-32.768K-6PF](#) [9B-14.31818MBBK-B](#) [CD1AM](#) [7B-25.000MAAE-T](#) [7A-14.31818MBBK-T](#) [6504-202-1501](#) [6526-202-1501](#) [FA-118T](#)  
[27.1200MB50P-K0](#) [FC-135R 32.7680KA-A3](#) [ABM12-104-37.400MHZT](#) [ABLS-10.000MHZ-D3W-T](#) [BTJ112E01E-513](#) [BTJ722K01C-7067](#)  
[BTL-20-513](#) [TSX-3225 24.0000MF15X-AC](#) [TSX-3225 16.0000MF18X-AC](#) [BTJ120E02C](#) [BTL-12-513](#) [7A-10.000MBBK-T](#) [7A-](#)  
[11.0592MBBK-T](#) [ABM12-103-24.000MHZT](#) [CS325S25000000ABJT](#) [ABM3B-25.000MHZ-B2-X-T](#) [FC-135 32.7680KA-A5](#) [FX0800015](#)