

## AT-CUT CRYSTAL UNIT (Metal-can Type)

RoHS compliant

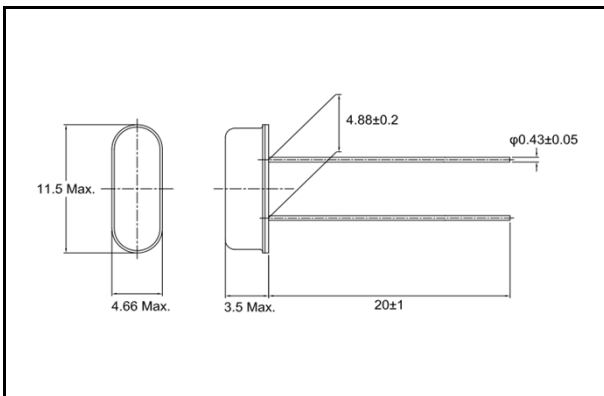
## HC-49/U-S



### ■ FEATURES

- Frequency range : 3.5 ~ 50.0MHz
- External dimensions (mm)  
L : 11.5 x W : 4.66 x H : 3.5
- Applications  
Consumer products

### ■ DIMENSION [mm]



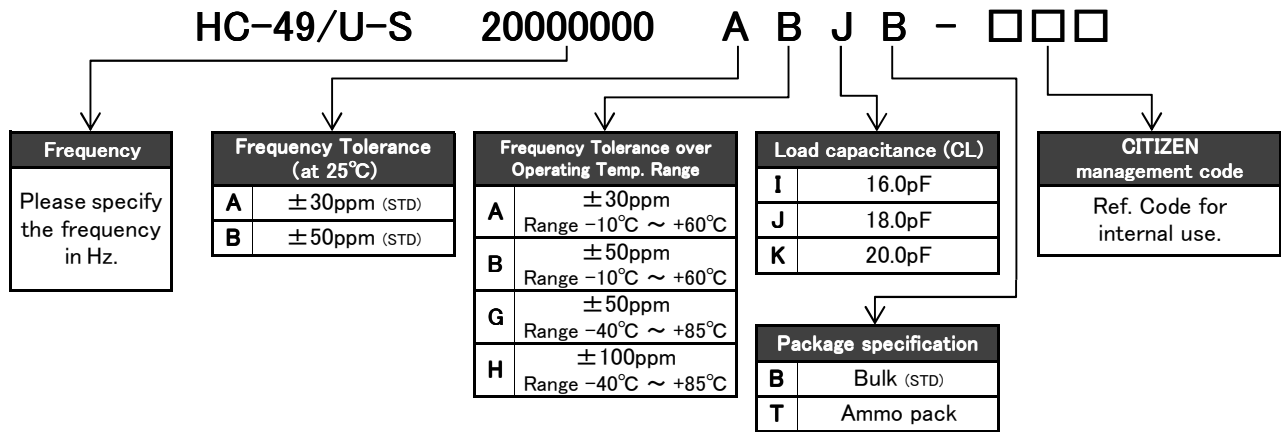
### ■ STANDARD SPECIFICATIONS

Item	Model	HC-49/U-S	Conditions
Nominal Frequency	$f_0$	3.5MHz ~ 30.0MHz (Fundamental) 30.0MHz ~ 50.0MHz (3rd Overtone)	Please contact us for frequencies available
Frequency Tolerance	$\Delta f/f_0$	$\pm 30$ ppm	at 25°C
Frequency Tolerance over Operating Temperature Range	$\Delta f/f_0$	below 6.0MHz: $\pm 50$ ppm above 6.0MHz: $\pm 30$ ppm	-10°C ~ +60°C
Operating Temperature Range	$T_{OPR}$	-20°C ~ +70°C	
Storage Temperature Range	$T_{STR}$	-40°C ~ +85°C	
Motional (series) resistance	$R_1$	Refer to the following table	at 25°C
Load capacitance	$C_L$	Fundamental: 10.0pF ~ $\infty$ 3rd Overtone: 5.0pF ~ $\infty$	Please specify your requirement
Shunt capacitance	$C_0$	7.0pF Max.	
Level of drive	$D_L$	100 $\mu$ W	
Insulation Resistance	$I_R$	500M $\Omega$ Min.	DC100V $\pm$ 15V
Aging (first year)	$\Delta f/f_0$	$\pm 5$ ppm Max.	25°C $\pm$ 3°C

### ■ MOTIONAL (SERIES) RESISTANCE ( $R_1$ )

Freq. Range (MHz)	$3.5 \leq f_0 < 4.0$	$4.0 \leq f_0 < 6.0$	$6.0 \leq f_0 < 10.0$	$10.0 \leq f_0 < 14.0$	$14.0 \leq f_0 < 30.0$	$30.0 \leq f_0 < 36.0$	$36.0 \leq f_0 \leq 50.0$
Mode	Fundamental	Fundamental	Fundamental	Fundamental	Fundamental	3rd Overtone	3rd Overtone
$R_1$	200 $\Omega$ Max.	150 $\Omega$ Max.	100 $\Omega$ Max.	80 $\Omega$ Max.	50 $\Omega$ Max.	140 $\Omega$ Max.	100 $\Omega$ Max.

## ■ PART NUMBERING SYSTEM



\*Please contact us for specifications available.

## ■ Part Marking [standard]



f : The first 4 digits of Frequency including the decimal point

C : Manufacture's ID Code

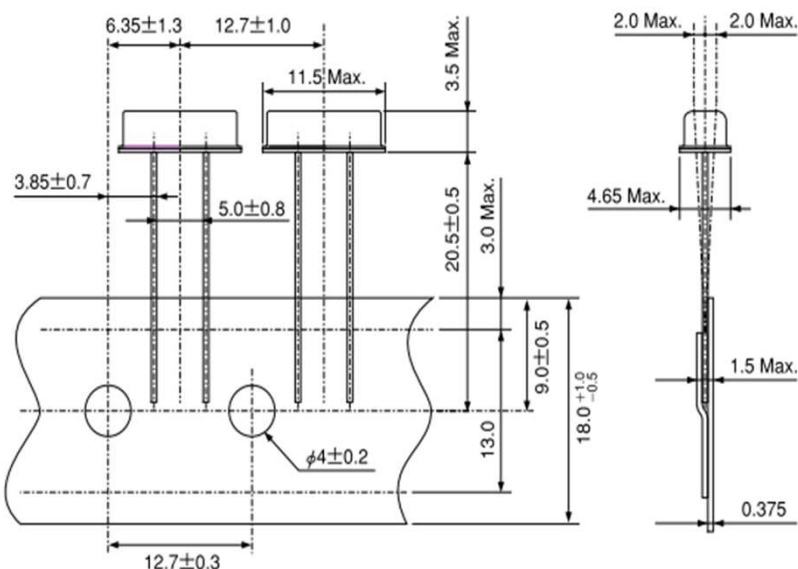
y : The last digit of production year

m : Production month (See Table.1)

Table.1

Month	Jan	Feb	...	Sep	Oct	Nov	Dec
Code	1	2	...	9	X	Y	Z

## ■ Taping dimension : 2,000pcs/Ammo pack [mm]



Product specifications are subject to change without notice.

Rev.2

## X-ON Electronics

Largest Supplier of Electrical and Electronic Components

*Click to view similar products for [CITIZEN](#) manufacturer:*

Other Similar products are found below :

[CSX-750FCC4000000T](#) [CSX-750FHB12000000T](#) [HC-49/U-S24000000ABJB](#) [CS325S14318180ABJT](#) [CM315 32.768KDZY-UT](#) [HC-49/U-S4915200ABJB](#) [HCM49-7.680MABJ-UT](#) [HC49US-28.63636MABJ](#) [HCM49-18.000MABJT](#) [CSX750FJC-50.000M-UT](#) [HCM49-11.000MABJT](#) [HCM49-11.0592MABJ-UT](#) [CSX750FCC-4.000M-UT](#) [HCM493579545ABJT](#) [HCM4920000000ABJT](#) [CSX750FCC40.000M-UT](#) [CS325S28636300ABJT](#) [HC49US-6.176MABJ-UB](#) [CSX-750FCC4000000T](#) [CM309E-8.000MABJ-UT](#) [HCM498000000ABJT](#) [HCM49-48.000MABJT](#) [HC49US-6.144MABJ](#) [HCM4950000000ABJT](#) [HCM4925000000ABJT](#) [CS325S27000000ABJT](#) [HC49US-4.000MABJ-UB](#) [CMR200T32768DZFT](#) [HC49US-5.000MABJ-UB](#) [CS10-32.000MABJ-UT](#) [HC49US-9.216MABJ-UB](#) [HC49US-4.9152MABJ-UB](#) [HCM49-12.288MABJT](#) [CS325S-12000000ABJT](#) [HCM49-6.144MABJ-UT](#) [HCM49-13.500MABJ-UT](#) [HC49US-16.9344MABJ-UB](#) [HC-49/U-S6144000ABJB](#) [CM1610H32768DZFT](#) [CM51932768DZFT](#) [CSX-750FCC14745600T](#) [HC49US15.000MABJ-UB](#) [HC49US-9.000MABJ](#) [HCM4949152000ABJT](#) [HC49US-12.000MABJ-UB](#) [HCM49-5.000MABJT](#) [HC-49/U-S15000000ABJB](#) [HC49US-19.6608MABJ-UB](#) [CSX750FCC-3.6864M-UT](#) [HCM49-30.000MABJ-UT](#)