

## AT-CUT CRYSTAL UNIT (Metal-can Type)

RoHS compliant

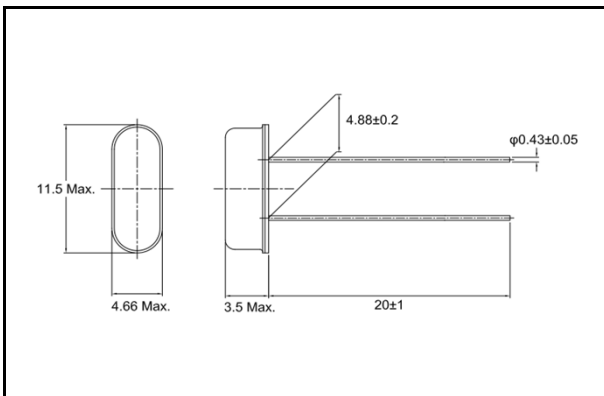
# HC-49/U-S



### ■ FEATURES

- Frequency range : 3.5 ~ 50.0MHz
- External dimensions (mm)  
L : 11.5 x W : 4.66 x H : 3.5
- Applications  
Consumer products

### ■ DIMENSION [mm]



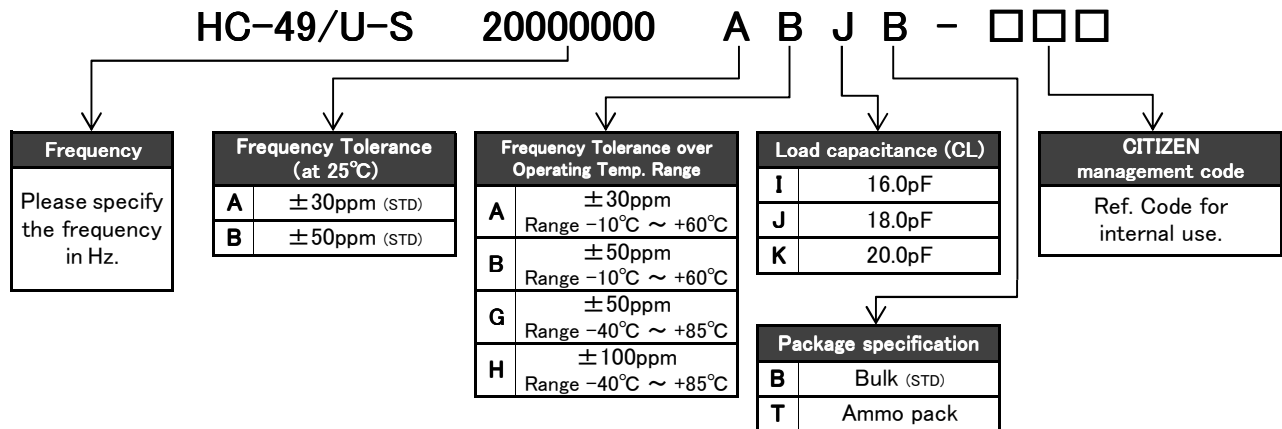
### ■ STANDARD SPECIFICATIONS

Item	Model	HC-49/U-S	Conditions
Nominal Frequency	$f_0$	3.5MHz ~ 30.0MHz (Fundamental) 30.0MHz ~ 50.0MHz (3rd Overtone)	Please contact us for frequencies available
Frequency Tolerance	$\Delta f/f_0$	$\pm 30$ ppm	at 25°C
Frequency Tolerance over Operating Temperature Range	$\Delta f/f_0$	below 6.0MHz: $\pm 50$ ppm above 6.0MHz: $\pm 30$ ppm	-10°C ~ +60°C
Operating Temperature Range	T <sub>OPR</sub>	-20°C ~ +70°C	
Storage Temperature Range	T <sub>STR</sub>	-40°C ~ +85°C	
Motional (series) resistance	R <sub>1</sub>	Refer to the following table	at 25°C
Load capacitance	C <sub>L</sub>	Fundamental: 10.0pF ~ ∞ 3rd Overtone: 5.0pF ~ ∞	Please specify your requirement
Shunt capacitance	C <sub>0</sub>	7.0pF Max.	
Level of drive	D <sub>L</sub>	100 μW	
Insulation Resistance	I <sub>R</sub>	500MΩ Min.	DC100V ± 15V
Aging (first year)	$\Delta f/f_0$	$\pm 5$ ppm Max.	25°C ± 3°C

### ■ MOTIONAL (SERIES) RESISTANCE (R<sub>1</sub>)

Freq. Range (MHz)	3.5 ≤ f <sub>0</sub> < 4.0	4.0 ≤ f <sub>0</sub> < 6.0	6.0 ≤ f <sub>0</sub> < 10.0	10.0 ≤ f <sub>0</sub> < 14.0	14.0 ≤ f <sub>0</sub> < 30.0	30.0 ≤ f <sub>0</sub> < 36.0	36.0 ≤ f <sub>0</sub> ≤ 50.0
Mode	Fundamental	Fundamental	Fundamental	Fundamental	Fundamental	3rd Overtone	3rd Overtone
R <sub>1</sub>	200Ω Max.	150Ω Max.	100Ω Max.	80Ω Max.	50Ω Max.	140Ω Max.	100Ω Max.

## ■ PART NUMBERING SYSTEM



\*Please contact us for specifications available.

## ■ Part Marking [standard]



f : The first 4 digits of Frequency including the decimal point

C : Manufacture's ID Code

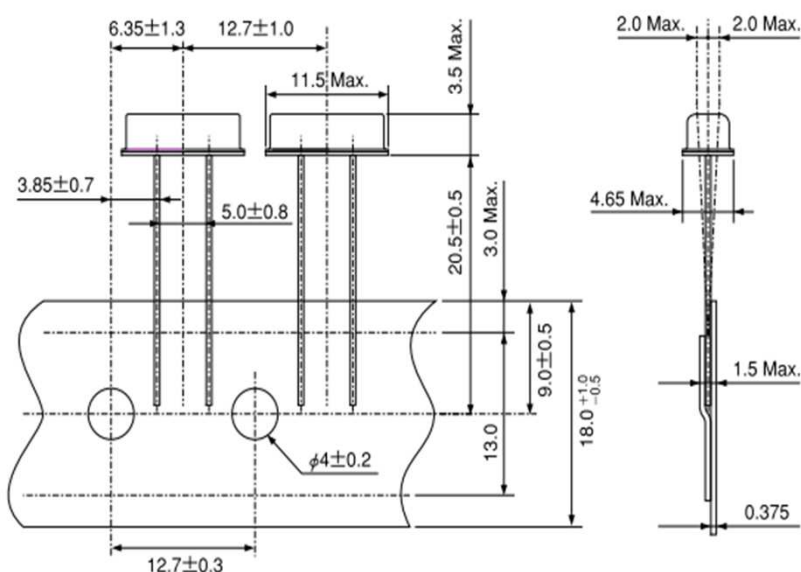
y : The last digit of production year

m : Production month (See Table.1)

Table.1

Month	Jan	Feb	...	Sep	Oct	Nov	Dec
Code	1	2	...	9	X	Y	Z

## ■ Taping dimension : 2,000pcs/Ammo pack [mm]



Product specifications are subject to change without notice.

Rev.2

## X-ON Electronics

Largest Supplier of Electrical and Electronic Components

*Click to view similar products for [Crystals](#) category:*

*Click to view products by [Citizen](#) manufacturer:*

Other Similar products are found below :

[MC405 32.0000K-R3:PURE SN](#) [7B-27.000MBBK-T](#) [MP1-8.0 99-BU](#) [9B-15.360MBBK-B](#) [PTX-A2JM-10.000M](#) [9C-7.680MBBK-T](#) [H10S-12.000-18-EXT-TR](#) [R38-32.768-12.5-5PPM-NPB](#) [BTD1062E05A-513](#) [21U15A-21.4MHZ](#) [RTX-781DF1-S-20.950](#) [LFXTAL066198Cutt](#) [9C-14.31818MBBK-T](#) [A-11.000MHZ-27](#) [SPT2A-.032768B](#) [SPT2A.032768G](#) [SSPT7F-9PF20-R](#) [FX325BS-38.88EEM1201](#) [MP-1-25.000MHZ-3L](#) [MP-1-6.000MHZ](#) [LFXTAL065253Cutt](#) [LFXTAL066431Cutt](#) [XT9S20ANA14M7456](#) [XT9SNLANA16M](#) [646G-24-2](#) [7A-24.576MBBK-T](#) [7B-30.000MBBK-T](#) [7A-14.31818MBBK-T](#) [6526-202-1501](#) [BTJ120E02C](#) [SG636PCE-20.000MC](#) [3404](#) [CM315D32768EZFT](#) [C1E-24.000-7-2020-R](#) [C1E-19.200-12-1530-X-R](#) [C1E-16.000-12-1530-X-R](#) [ABM11-16.000MHZ-9-B1U-T](#) [FL5000014](#) [EUCA18-3.1872M](#) [425F35E027M0000](#) [17196](#) [ABM3-13.52313MHZ-10-B4Y-T](#) [MS3V-T1R-32.768kHz-7pF-20PPM-TA-QC-Au](#) [VXM7-1C1-16M000](#) [MS1V-T1K-32.768kHz-10pF-20PPM-TA-QC-Au](#) [MS3V-T1R-32.768kHz-9pF-20PPM-TA-QC-Au](#) [ECS-80-18-30-JGN-TR](#) [17000](#) [17301](#)