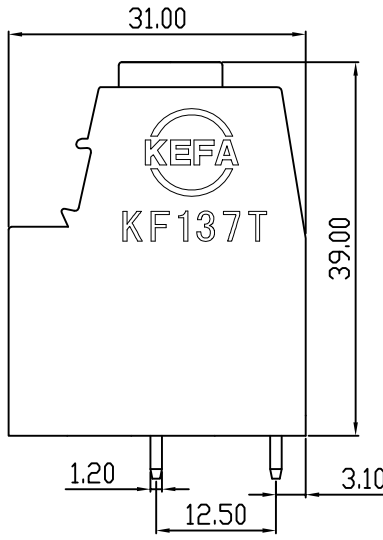
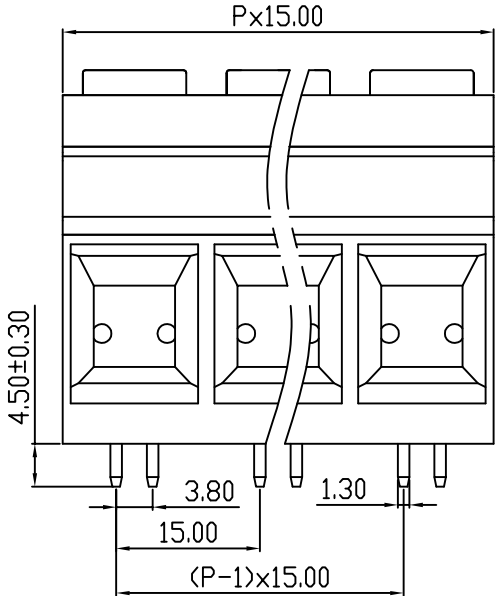
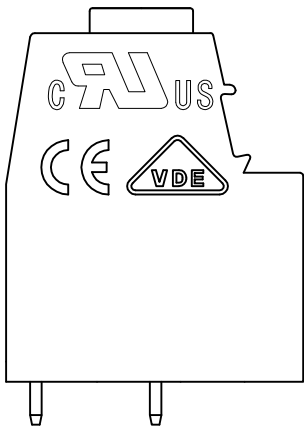
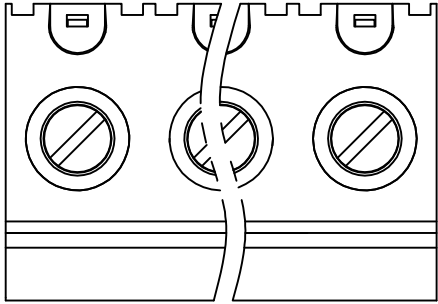
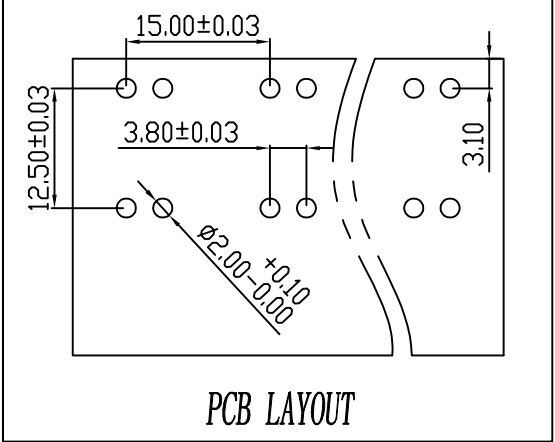


| linear dimension(Tolerances Standard GB/T 14486-2008) |       |              |               |               |                |                 |             | —     |                |             |
|---|-------|--------------|---------------|---------------|----------------|-----------------|-------------|-------|----------------|-------------|
| variable range  | to 6  | over 6 to 10 | over 10 to 30 | over 30 to 60 | over 60 to 100 | over 100 to 160 | over 160 to | to 10 | over 10 to 100 | over 100 to |
| tolerance   | ±0.20 | ±0.30        | ±0.50         | ±0.70         | ±1.00          | ±1.30           | ±1.60       | 0.10  | 0.30           | 0.60        |



| REVISION RECORD |             |         |          |          |
|-----------------|-------------|---------|----------|----------|
| REV.            | DESCRIPTION | ECN No. | APPROVED | DATE     |
| A               | 新发行         |         | CLF      | 21.03.16 |
|                 |             |         |          |          |
|                 |             |         |          |          |

| UL/CUL 技术参数  |                  |      |      |
|--|------------------|------|------|
| UL/CUL Technical Data                              |                  |      |      |
| 等级 Use Group                                       | B                | C    | D    |
| 额定电压 Rated Voltage [V]                             | 600              | -    | 300  |
| 额定电流 Rated Current [A]                             | 125              | -    | 10   |
| 接线范围 Wire Range                                    | 20-2             |      |      |
| 单/多芯线 Solid/Stranded [AWG]                         | 20-2             |      |      |
| 耐电压 Withstanding Voltage                           | 2200V/1Min       |      |      |
| IEC 技术参数   |                  |      |      |
| IEC Technical Data                                 |                  |      |      |
| 过电压类别 Overvoltage Category                         | III              | III  | II   |
| 污染等级 Contamination Class                           | 3                | 2    | 2    |
| 额定电压 Rated Voltage [V]                             | 1000             | 1000 | 1000 |
| 额定电流 Rated Current [A]                             | 115              | 115  | 115  |
| 额定冲击电压 Impulse withstand voltage <sup>a</sup> [KV] | 8.0              | 8.0  | 8.0  |
| 导线截面积 Conductor cross section                      | 35               |      |      |
| 硬质/柔性导线 Solid/flexible [mm <sup>2</sup> ]          | 35               |      |      |
| 材料 Material  |                  |      |      |
| 绝缘材料 Insulation Material                           | PA66             |      |      |
| 阻燃等级 Imflammability                                | UL94V-0          |      |      |
| 导体材料 Contactor Material                            | 铜合金 Copper alloy |      |      |
| 导体表面镀层 Contactive Coating                          | 镀锡 Tin Plated    |      |      |
| 一般参数 Other Data                                    |                  |      |      |
| 间距 Pitch [mm]                                      | 15.0             |      |      |
| 极数 Poles [P]                                       | 2-12             |      |      |
| 剥线长度 Stripping Length [mm]                         | 18               |      |      |
| 螺丝 Screw/扭矩 Torque(Max) [N.m]                      | M5.0/2.0         |      |      |
| 工作温度 Operating temperatur [°C]                     | -40~+105         |      |      |
| 引针尺寸 Pin Dimensions [mm]                           | 4.5              |      |      |
| PCB板孔径 PCB Hole Diameter [mm]                      | 2.0              |      |      |

|      |     |      |          |  |    |           |    |            |             |                               |          |   |
|------|-----|------|----------|--|----|-----------|----|------------|-------------|-------------------------------|----------|---|
| DES. | LQQ | DATE | 21.03.16 | 单位 / UNITS                                   | mm | 尺寸 / SIZE | A4 | 比例 / SCALE | 1:1         | 第三视角 / THIRD ANGLE PROJECTION | 版本 / REV | A |
| CHK. | SY  | DATE | 21.03.16 | 慈溪市科发电子有限公司<br>CIXI KEFA ELECTRONIC CO., LTD |    |           |    | 名称 / TITLE | KF137T-15.0 |                               |          |   |
| APP. | CLF | DATE | 21.03.16 |  |    |           |    |            |             |                               |          |   |

## X-ON Electronics

Largest Supplier of Electrical and Electronic Components

*Click to view similar products for [Fixed Terminal Blocks](#) category:*

*Click to view products by [Cixi Kefa](#) manufacturer:*

Other Similar products are found below :

[MBE-1512](#) [MBE-1520](#) [MBE-154](#) [MBE-156](#) [MBES-156](#) [MH-2512](#) [MHE-132](#) [MHE-163](#) [MI-254 \(35\)](#) [MPT-275](#) [ELM10110G](#) [BA311TU](#)  
[BA411SU](#) [MV-254-D](#) [MV-255](#) [MV-493](#) [MVE-252](#) [MVE-253](#) [MVEB-153](#) [1705142](#) [1-796689-8](#) [1841320000](#) [S451](#) [29.007](#) [29.116](#) [30.204](#)  
[30.503](#) [30.756](#) [30.853](#) [9872-0-00-15-00-00-33-0](#) [996750](#) [1710052](#) [20020316-G071B01LF](#) [20020327-C061B01LF](#) [29590](#) [30.652](#) [30.710](#)  
[30.754](#) [30.757](#) [32.058](#) [37.206](#) [37.208](#) [37.507](#) [37.558](#) [38331-5812](#) [38331-8018](#) [38540-1910](#) [39.002](#) [MBE-1517](#) [MBE-153](#)