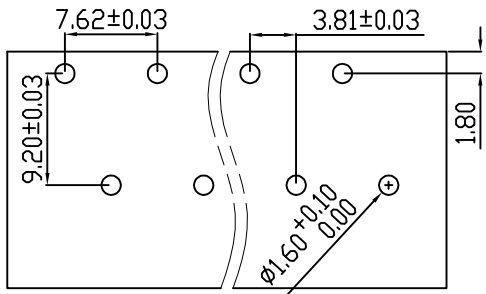
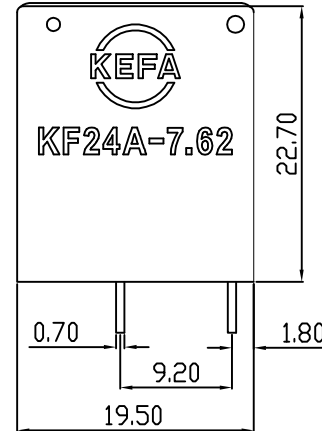
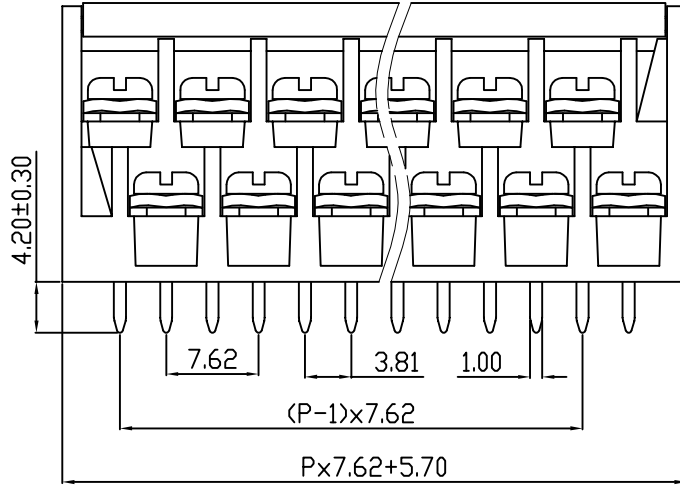
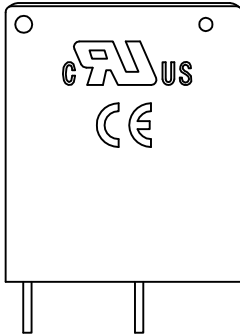
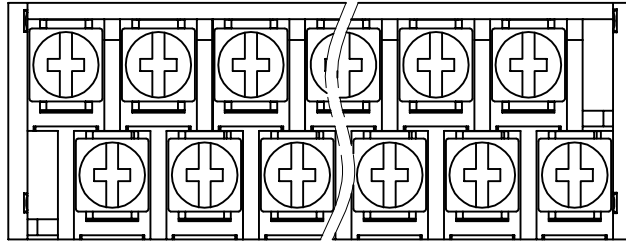


| linear dimension(Tolerances Standard GB/T 14486-2008) | | | | | | | | — ▯ ⊥ | | |
|---|-------|--------------|---------------|---------------|----------------|-----------------|-------------|-------|----------------|-------------|
| variable range | to 6 | over 6 to 10 | over 10 to 30 | over 30 to 60 | over 60 to 100 | over 100 to 160 | over 160 to | to 10 | over 10 to 100 | over 100 to |
| tolerance | ±0.20 | ±0.30 | ±0.50 | ±0.70 | ±1.00 | ±1.30 | ±1.60 | 0.10 | 0.30 | 0.60 |



PCB LAYOUT



| REVISION RECORD | | | | |
|-----------------|-------------|---------|----------|----------|
| REV. | DESCRIPTION | ECN No. | APPROVED | DATE |
| A | 新发行 | | CLF | 21.12.15 |
| | | | | |
| | | | | |

| UL/CUL 技术参数 | | UL/CUL Technical Data | | |
|---|--|-----------------------|---|---|
| 等级 Use Group | | B | C | D |
| 额定电压 Rated Voltage [V] | | 300 | - | - |
| 额定电流 Rated Current [A] | | 15 | - | - |
| 接线范围 Wire Range | | 22-14 | | |
| 单/多芯线 Solid/Stranded [AWG] | | | | |
| IEC 技术参数 | | IEC Technical Data | | |
| 额定电压 Rated Voltage [V] | | 250 | | |
| 额定电流 Rated Current [A] | | 24 | | |
| 耐电压 Withstanding Voltage | | 2000V/1Min | | |
| 导线截面积 Conductor cross section | | 2.5 | | |
| 硬质/柔性导线 Solid/flexible [mm ²] | | | | |
| 材料 Material | | | | |
| 绝缘材料 Insulation Material | | PBT | | |
| 阻燃等级 Inflammability | | UL94V-0 | | |
| 导体材料 Contactor Material | | 铜合金 Copper alloy | | |
| 导体表面镀层 Contactive Coating | | 镀锡 Tin plating | | |
| 一般参数 Other Data | | | | |
| 间距 Pitch [mm] | | 7.62 | | |
| 极数 Poles [P] | | 2-24 | | |
| 剥线长度 Stripping Length [mm] | | - | | |
| 螺丝 Screw/扭矩 Torque(Max) [N.m] | | M3/0.8 | | |
| 工作温度 Operating temperatur [°C] | | -40~+130 | | |
| 引针尺寸 Pin Dimensions [mm] | | 4.2 | | |
| PCB板孔径 PCB Hole Diameter [mm] | | 1.6 | | |

| | | | |
|------|-----|------|----------|
| DES. | LQQ | DATE | 21.12.15 |
| CHK. | BY | DATE | 21.12.15 |
| APP. | CLF | DATE | 21.12.15 |

| | | | | | |
|---|----|---------|----|----------|-----|
| 单位/UNITS | mm | 尺寸/SIZE | A4 | 比例/SCALE | 1:1 |
| 慈溪市科发电子有限公司 CIXI KEFA ELECTRONICS CO., LTD | | | | | |

| | | |
|-----------------------------|------------|---|
| 第三视角/THIRD ANGLE PROJECTION | 版本/REV | A |
| 名称/TITLE | KF24A-7.62 | |

X-ON Electronics

Largest Supplier of Electrical and Electronic Components

Click to view similar products for [Barrier Terminal Blocks](#) category:

Click to view products by [Cixi Kefa](#) manufacturer:

Other Similar products are found below :

[CR151D20104](#) [670A-RZ-15-KT20](#) [6C1N03](#) [6PCR-02](#) [6PCR-02-008](#) [6PCR-05-008](#) [6PCR-08-008](#) [6PCR-09-008](#) [6PCR-13-006](#) [6PCR-15-006](#) [6PCV-06-008](#) [6PCV-06-716](#) [6PCV-09-001](#) [6PCV-15-008](#) [6PCV-17-1206](#) [6PCV-20-323](#) [6STR-06-006](#) [6STR-08-006](#) [6STR-12-008](#) [6STR-13-006](#) [6STR-14-008](#) [6STR-16-008](#) [6STR-17-008](#) [6STR-21-008](#) [6STR-25-008](#) [6STR-27-008](#) [6STV-03-008](#) [6STV-09-006](#) [6STV-10-006](#) [6WWV-11-008](#) [6WWV-12-008](#) [6WWV-16-008](#) [71502-50](#) [71507-47-50](#) [72504-C-50](#) [72506-C](#) [72507-C-50](#) [72508-56](#) [73203](#) [75505-C-50](#) [812-GP-3/4ST-09](#) [8-1437402-5](#) [8-1437402-7](#) [8PCR-06-006](#) [8PCR-11-006](#) [8PCV-02-008](#) [8PCV-04-001](#) [8PCV-05-008](#) [8PCV-09-006](#) [8PCV-15-006](#)