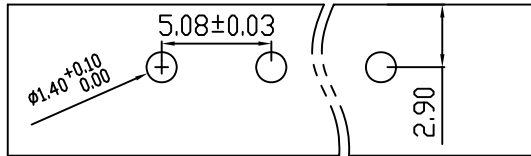


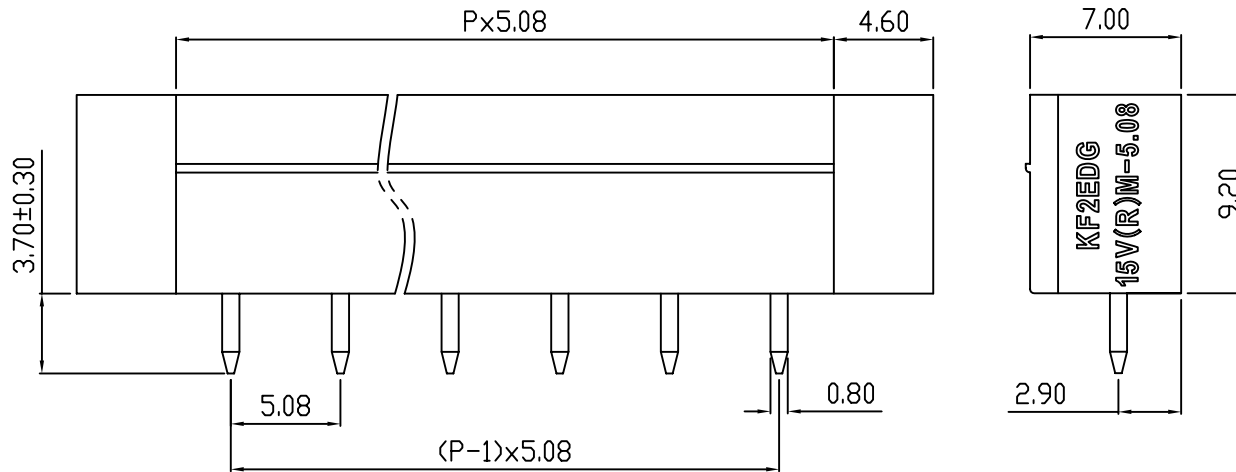
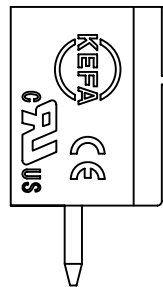
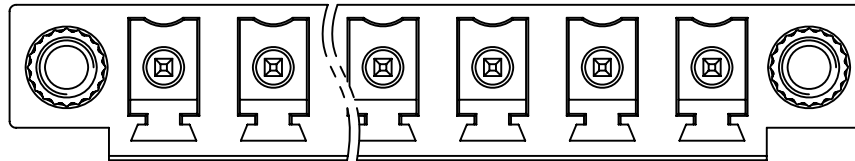
linear dimension(Tolerances Standard GB/T 14486-2008)



| variable range | to 6 | over 6 | over 10 | over 30 | over 60 | over 100 | over 160 | to 10 | over 10 | over 100 |
|----------------|-------|--------|---------|---------|---------|----------|----------|-------|---------|----------|
| | | to 10 | to 30 | to 60 | to 100 | to 160 | to 100 | | to 100 | |
| tolerance | ±0.20 | ±0.30 | ±0.50 | ±0.70 | ±1.00 | ±1.30 | ±1.60 | 0.10 | 0.30 | 0.60 |



PCB LAYOUT



REVISION RECORD

| REV. | DESCRIPTION | ECN No. | APPROVED | DATE |
|------|-------------|---------|----------|------|
| | | | | |
| | | | | |
| | | | | |

| | | | | | | |
|--------------------------------------|------------------------------------|-----|-----|------------|--|------------------|
| UL/CUL 技术参数 UL/CUL Technical Data | | | | | | |
| 等级 | Use Group | B | C | D | | |
| 额定电压 | Rated Voltage [V] | 300 | - | 300 | | |
| 额定电流 | Rated Current [A] | 8 | - | 10 | | |
| 接线范围 | Wire Range | | | | | - |
| 单/多芯线 | Solid/Stranded [AWG] | | | | | - |
| 耐电压 | Withstanding Voltage | | | | | 1600V/1Min |
| IEC 技术参数 IEC Technical Data | | | | | | |
| 过电压类别 | Overtoltage Category | III | III | II | | |
| 污染等级 | Contamination Class | - | 2 | 2 | | |
| 额定电压 | Rated Voltage [V] | - | 320 | 630 | | |
| 额定电流 | Rated Current [A] | - | 7 | 7 | | |
| 额定冲击电压 | Impulse withstand voltagea [KV] | - | 4.0 | 4.0 | | |
| 导线截面积 | Conductor cross section | | | | | - |
| 硬质/柔性导线 | Solid/ flexible [mm ²] | | | | | - |
| 材料 | | | | Material | | |
| 绝缘材料 | Insulation Material | | | | | PA66 |
| 阻燃等级 | Imflammability | | | | | UL94V-0 |
| 导体材料 | Contactur Material | | | | | 铜合金 Copper alloy |
| 导体表面镀层 | Contactive Coating | | | | | 镀锡 Tin Plated |
| 一般参数 | | | | Other Data | | |
| 间距 | Pitch [mm] | | | | | 5.08 |
| 极数 | Poles [P] | | | | | 2-24 |
| 剥线长度 | Stripping Length [mm] | | | | | - |
| 螺丝 | Screw/扭矩 Torque(Max) [N.m] | | | | | - |
| 工作温度 | Operating temperatur [°C] | | | | | -40~105 |
| 引针尺寸 | Pin Dimensions [mm] | | | | | 3.7 |
| PCB板孔径 | PCB Hole Diameter [mm] | | | | | 1.4 |

| | | | | | | | | | | |
|------|------|--|----|-----------|----|------------|-----|-----------------------------|--------------------------------------|---|
| DES. | DATE | 单位 / UNITS | mm | 尺寸 / SIZE | A4 | 比例 / SCALE | 1:1 | 第三视角/THIRD ANGLE PROJECTION | 版本 / REV | A |
| CHK. | DATE | 慈溪市科发电子有限公司 CIXI KEFA ELECTRONIC CO., LTD | | | | | | | 名称 / TITLE KF2EDG15VM-5.08 | |
| APP. | DATE | | | | | | | | | |

X-ON Electronics

Largest Supplier of Electrical and Electronic Components

Click to view similar products for [Pluggable Terminal Blocks](#) category:

Click to view products by [Cixi Kefa](#) manufacturer:

Other Similar products are found below :

[57.510.0053](#) [721-104/026-047](#) [721-204/026-045](#) [MC 1.5/ 6-ST-3.5 GY AU](#) [ET02015000J0G](#) [860505](#) [860516](#) [860810](#) [GBPACX-12](#)
[93.731.4953.0](#) [PVP03-3,50](#) [PVS02-5,00](#) [1-1986160-3](#) [1377680000](#) [1531000000](#) [1546228-5](#) [ELFP03110](#) [ELFP10210](#) [ELFT07250](#)
[ELVD12100](#) [ELVF09400](#) [ELXH071G0E](#) [1725220000](#) [1760336](#) [1855000000](#) [19346](#) [1946309](#) [1973592](#) [19892](#) [25.320.4053.1](#) [25.320.4553.9](#)
[25.320.4753.1](#) [25.320.5453.1](#) [25.340.0353.1](#) [25.340.1053.1](#) [25.345.3553.0M001](#) [25.640.3553.1](#) [SH02-5,08](#) [SH06-3,81](#) [SH08-5,08](#) [SH08-](#)
[5,08-K](#) [SH12-5,08](#) [SHS04-5,00](#) [30.303](#) [30.305](#) [30.306](#) [PHP09-5,08](#) [25.193.0453.0](#) [25.320.4653.1](#) [25.332.2453.1](#)