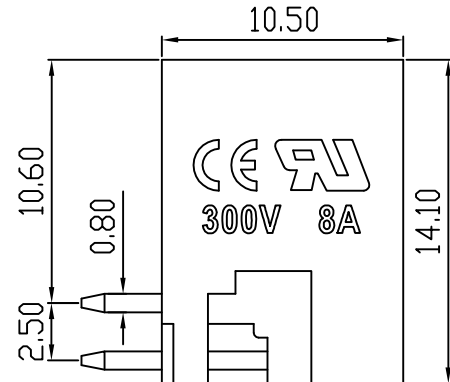
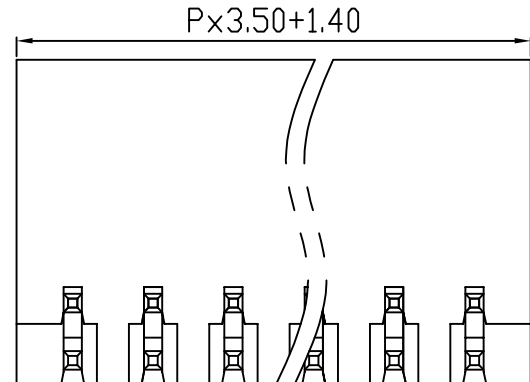
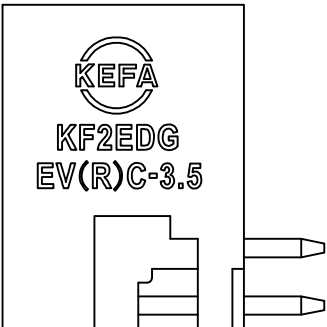
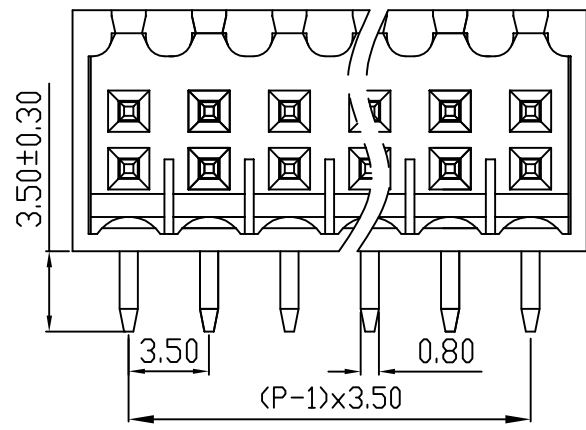
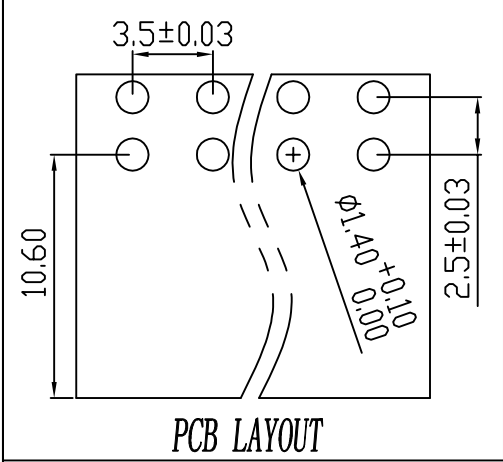


linear dimension(Tolerances Standard GB/T 14486-2008)								—		
variable range	to	over 6 to 10	over 10 to 30	over 30 to 60	over 60 to 100	over 100 to 160	over 160 to	to	over 10 to 100	over 100 to
	6	10	30	60	100	160		10	100	
tolerance	±0.20	±0.30	±0.50	±0.70	±1.00	±1.30	±1.60	0.10	0.30	0.60



REVISION RECORD				
REV.	DESCRIPTION	ECN No.	APPROVED	DATE
A	新发行		GLF	21.03.15

UL/CUL 技术参数 UL/CUL Technical Data						
等级 Use Group		B	C	D		
额定电压 Rated Voltage [V]		300	-	300		
额定电流 Rated Current [A]		8	-	10		
接线范围 Wire Range		-				
单/多芯线 Solid/Stranded [AWG]		-				
耐电压 Withstanding Voltage		1600V/1Min				
IEC 技术参数 IEC Technical Data						
过电压类别 Overvoltage Category		III	III	II		
污染等级 Contamination Class		3	2	2		
额定电压 Rated Voltage [V]		-	160	320		
额定电流 Rated Current [A]		-	7	7		
额定冲击电压 Impulse withstand voltagea [KV]		-	2.5	2.5		
导线截面积 Conductor cross section		-				
硬质/柔性导线 Solid/flexible [mm²]		-				
材料 Material						
绝缘材料 Insulation Material		PA66				
阻燃等级 Imflammability		UL94V-0				
导体材料 Contactor Material		铜合金 Copper alloy				
导体表面镀层 Contactive Coating		镀锡 Tin Plated				
一般参数 Other Data						
间距 Pitch [mm]		3.5				
极数 Poles [P]		2x(2-24)				
剥线长度 Stripping Length [mm]		-				
螺丝 Screw/扭矩 Torque(Max) [N.m]		-				
工作温度 Operating temperatur [°C]		-40~+105				
引针尺寸 Pin Dimensions [mm]		3.5				
PCB板孔径 PCB Hole Diameter [mm]		1.4				

DES.	FZM	DATE	21.03.15	单位 / UNITS	mm	尺寸 / SIZE	A4	比例 / SCALE	1:1	第三视角 / THIRD ANGLE PROJECTION	版本 / REV	A
CHK.	SY	DATE	21.03.15	慈溪市科发电子有限公司 CIXI KEFA ELECTRONIC CO., LTD				名称 / TITLE	KF2EDGERC-3.5			
APP.	CLF	DATE	21.03.15									

X-ON Electronics

Largest Supplier of Electrical and Electronic Components

Click to view similar products for [Pluggable Terminal Blocks](#) category:

Click to view products by [Cixi Kefa](#) manufacturer:

Other Similar products are found below :

[57.510.0053](#) [721-104/026-047](#) [721-204/026-045](#) [MC 1.5/ 6-ST-3.5 GY AU](#) [ET02015000J0G](#) [860505](#) [860516](#) [860810](#) [GBPACX-12](#)
[93.731.4953.0](#) [PVP03-3,50](#) [PVS02-5,00](#) [1-1986160-3](#) [1377680000](#) [1531000000](#) [1546228-5](#) [ELFP03110](#) [ELFP10210](#) [ELFT07250](#)
[ELVD12100](#) [ELVF09400](#) [ELXH071G0E](#) [1725220000](#) [1760336](#) [1855000000](#) [19346](#) [1946309](#) [1973592](#) [19892](#) [25.320.4053.1](#) [25.320.4553.9](#)
[25.320.4753.1](#) [25.320.5453.1](#) [25.340.0353.1](#) [25.340.1053.1](#) [25.345.3553.0M001](#) [25.640.3553.1](#) [SH02-5,08](#) [SH06-3,81](#) [SH08-5,08](#) [SH08-](#)
[5,08-K](#) [SH12-5,08](#) [SHS04-5,00](#) [30.303](#) [30.305](#) [30.306](#) [PHP09-5,08](#) [25.193.0453.0](#) [25.320.4653.1](#) [25.332.2453.1](#)