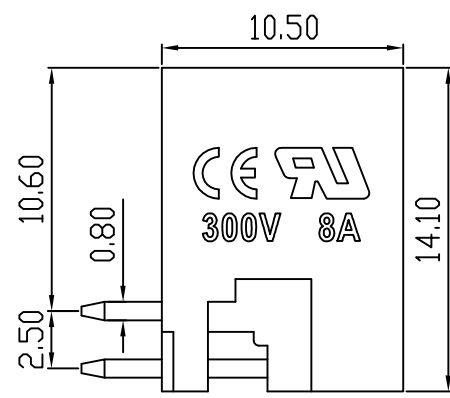
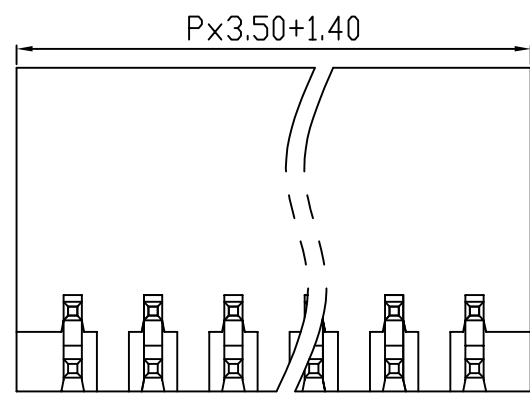
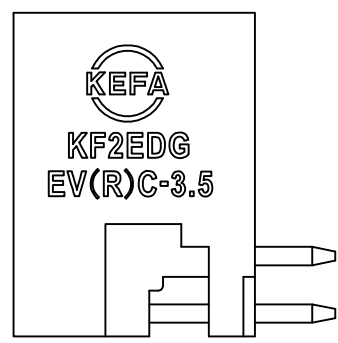
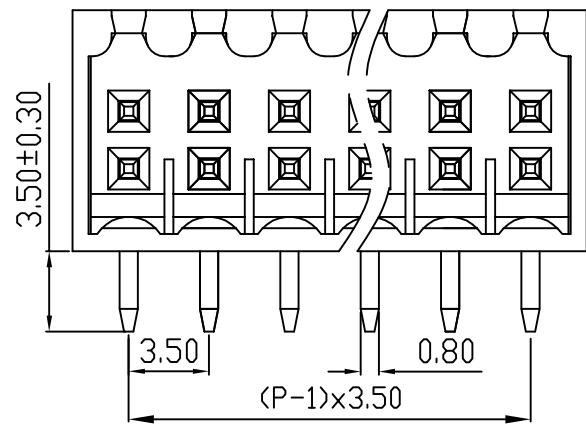
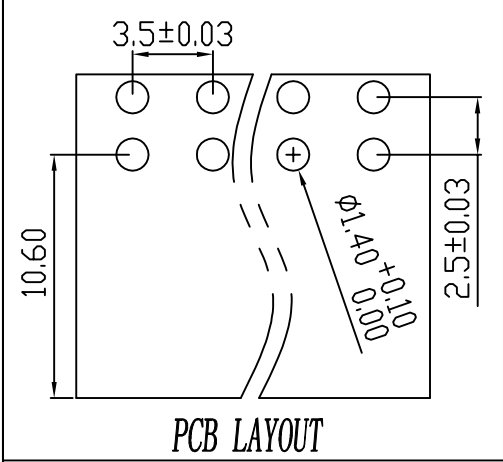


| linear dimension(Tolerances Standard GB/T 14486-2008) | | | | | | | | — | ∇ | \perp |
|---|------------|------------|------------|------------|------------|------------|------------|------|----------|----------|
| variable range | to | over 6 | over 10 | over 30 | over 60 | over 100 | over 160 | to | over 10 | over 100 |
| | 6 | to 10 | to 30 | to 60 | to 100 | to 160 | 10 | | to 100 | to |
| tolerance | ± 0.20 | ± 0.30 | ± 0.50 | ± 0.70 | ± 1.00 | ± 1.30 | ± 1.60 | 0.10 | 0.30 | 0.60 |



| REVISION RECORD | | | | |
|-----------------|-------------|---------|----------|----------|
| REV. | DESCRIPTION | ECN No. | APPROVED | DATE |
| A | 新发行 | | GLF | 21.03.15 |
| | | | | |
| | | | | |

| UL/CUL 技术参数 UL/CUL Technical Data | | | | |
|--|------------------|-----|-----|--|
| 等级 Use Group | B | C | D | |
| 额定电压 Rated Voltage [V] | 300 | - | 300 | |
| 额定电流 Rated Current [A] | 8 | - | 10 | |
| 接线范围 Wire Range | - | | | |
| 单/多芯线 Solid/Stranded [AWG] | - | | | |
| 耐电压 Withstanding Voltage | 1600V/1Min | | | |
| IEC 技术参数 IEC Technical Data | | | | |
| 过电压类别 Overvoltage Category | III | III | II | |
| 污染等级 Contamination Class | 3 | 2 | 2 | |
| 额定电压 Rated Voltage [V] | - | 160 | 320 | |
| 额定电流 Rated Current [A] | - | 7 | 7 | |
| 额定冲击电压 Impulse withstand voltage ^a [KV] | - | 2.5 | 2.5 | |
| 导线截面积 Conductor cross section | - | | | |
| 硬质/柔性导线 Solid/flexible [mm ²] | - | | | |
| 材料 Material | | | | |
| 绝缘材料 Insulation Material | PA66 | | | |
| 阻燃等级 Imflammability | UL94V-0 | | | |
| 导体材料 Contactor Material | 铜合金 Copper alloy | | | |
| 导体表面镀层 Contactive Coating | 镀锡 Tin Plated | | | |
| 一般参数 Other Data | | | | |
| 间距 Pitch [mm] | 3.5 | | | |
| 极数 Poles [P] | 2x(2-24) | | | |
| 剥线长度 Stripping Length [mm] | - | | | |
| 螺丝 Screw/扭矩 Torque(Max) [N.m] | - | | | |
| 工作温度 Operating temperatur [°C] | -40~+105 | | | |
| 引针尺寸 Pin Dimensions [mm] | 3.5 | | | |
| PCB板孔径 PCB Hole Diameter [mm] | 1.4 | | | |

| | | | | | | | | | | | | |
|------|-----|------|----------|--|----|-----------|----|------------|-------------------|-------------------------------|----------|---|
| DES. | FZM | DATE | 21.03.15 | 单位 / UNITS | mm | 尺寸 / SIZE | A4 | 比例 / SCALE | 1:1 | 第三视角 / THIRD ANGLE PROJECTION | 版本 / REV | A |
| CHK. | SY | DATE | 21.03.15 | 慈溪市科发电子有限公司 CIXI KEFA ELECTRONIC CO., LTD | | | | 名称 / TITLE | KF2EDGERC-3.5 | | | |
| APP. | CLF | DATE | 21.03.15 | | | | | | | | | |

X-ON Electronics

Largest Supplier of Electrical and Electronic Components

Click to view similar products for [Pluggable Terminal Blocks](#) category:

Click to view products by [Cixi Kefa](#) manufacturer:

Other Similar products are found below :

[57.510.0053](#) [721-104/026-047](#) [721-204/026-045](#) [MC 1.5/ 6-ST-3.5 GY AU](#) [ET02015000J0G](#) [860505](#) [860516](#) [860810](#) [GBPACX-12](#)
[93.731.4953.0](#) [PVP03-3,50](#) [PVS02-5,00](#) [1-1986160-3](#) [1377680000](#) [1531000000](#) [1546228-5](#) [ELFP03110](#) [ELFP10210](#) [ELFT07250](#)
[ELVD12100](#) [ELVF09400](#) [ELXH071G0E](#) [1725220000](#) [1760336](#) [1855000000](#) [19346](#) [1946309](#) [1973592](#) [19892](#) [25.320.4053.1](#) [25.320.4553.9](#)
[25.320.4753.1](#) [25.320.5453.1](#) [25.340.0353.1](#) [25.340.1053.1](#) [25.345.3553.0M001](#) [25.640.3553.1](#) [SH02-5,08](#) [SH06-3,81](#) [SH08-5,08](#) [SH08-](#)
[5,08-K](#) [SH12-5,08](#) [SHS04-5,00](#) [30.303](#) [30.305](#) [30.306](#) [PHP09-5,08](#) [25.193.0453.0](#) [25.320.4653.1](#) [25.332.2453.1](#)