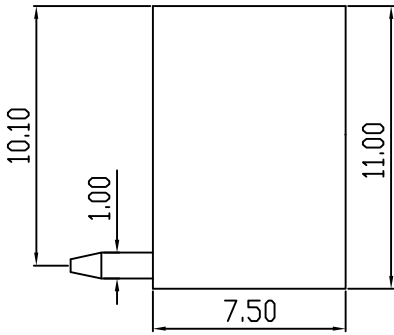
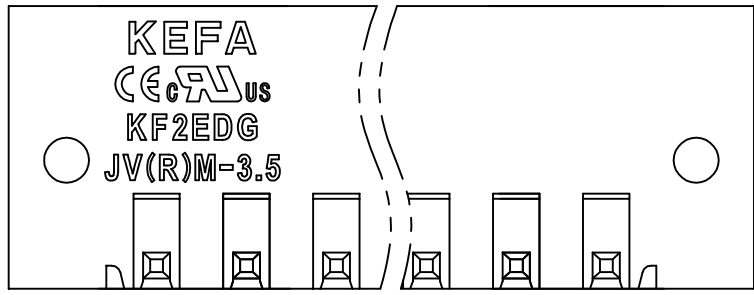
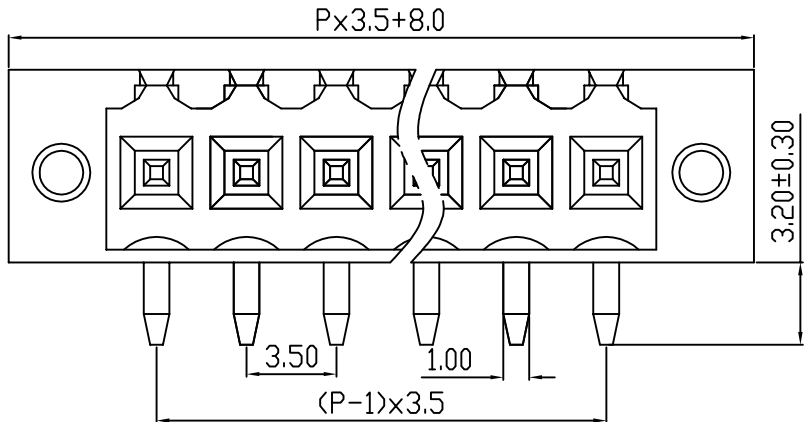
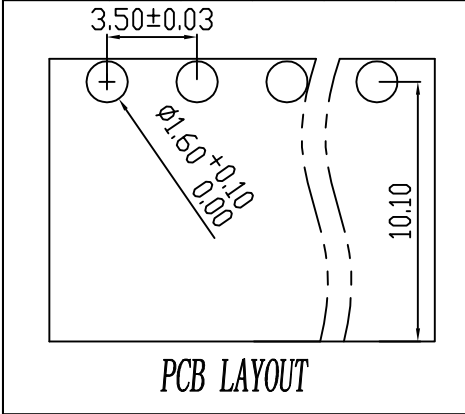


linear dimension(Tolerances Standard GB/T 14486-2008)								—	\square	\perp
variable range	to 6	over 6 to 10	over 10 to 30	over 30 to 60	over 60 to 100	over 100 to 160	over 160 to	to 10	over 10 to 100	over 100 to
tolerance	± 0.20	± 0.30	± 0.50	± 0.70	± 1.00	± 1.30	± 1.60	0.10	0.30	0.60

REVISION RECORD				
REV.	DESCRIPTION	ECN No.	APPROVED	DATE
A	新发行		CLF	21.03.15



UL/CUL 技术参数 UL/CUL Technical Data				cRUus		
等级 Use Group		B	C	D		
额定电压 Rated Voltage [V]		300	-	300		
额定电流 Rated Current [A]		10	-	10		
接线范围 Wire Range						
单/多芯线 Solid/Stranded [AWG]						-
耐电压 Withstanding Voltage						1600V/1Min
IEC 技术参数 IEC Technical Data				DE		
过电压类别 Overvoltage Category		III	III	II		
污染等级 Contamination Class		3	2	2		
额定电压 Rated Voltage [V]		-	160	320		
额定电流 Rated Current [A]		-	13	13		
额定冲击电压 Impulse withstand voltagea [KV]		-	2.5	2.5		
导线截面积 Conductor cross section						
硬质/柔性导线 Solid/flexible [mm ²]						-
材料 Material						
绝缘材料 Insulation Material						PA66
阻燃等级 Imflammability						UL94V-0
导体材料 Contactor Material						铜合金 Copper alloy
导体表面镀层 Contactive Coating						镀锡 Tin Plated
一般参数 Other Data						
间距 Pitch [mm]						3.5
极数 Poles [P]						02-24
剥线长度 Stripping Length [mm]						-
螺丝 Screw/扭矩 Torque(Max) [N.m]						-
工作温度 Operating temperatur [°C]						-40~+105
引针尺寸 Pin Dimensions [mm]						3.2
PCB板孔径 PCB Hole Diameter [mm]						1.6

DES.	FZM	DATE	21.03.15
CHK.	SY	DATE	21.03.15
APP.	CLF	DATE	21.03.15

单位/UNITS mm 尺寸/SIZE A4 比例/SCALE 1:1

KEFA[®] 慈溪市科发电子有限公司
CIXI KEFA ELECTRONIC CO., LTD

第三视角/THIRD ANGLE PROJECTION

名称/TITLE **KF2EDGJRM-3.5**

版本/REV A

X-ON Electronics

Largest Supplier of Electrical and Electronic Components

Click to view similar products for [Pluggable Terminal Blocks](#) category:

Click to view products by [Cixi Kefa](#) manufacturer:

Other Similar products are found below :

[57.510.0053](#) [721-104/026-047](#) [721-204/026-045](#) [MC 1.5/ 6-ST-3.5 GY AU](#) [ET02015000J0G](#) [860505](#) [860516](#) [860810](#) [GBPACX-12](#)
[93.731.4953.0](#) [PVP03-3,50](#) [PVS02-5,00](#) [1-1986160-3](#) [1377680000](#) [1531000000](#) [1546228-5](#) [ELFP03110](#) [ELFP10210](#) [ELFT07250](#)
[ELVD12100](#) [ELVF09400](#) [ELXH071G0E](#) [1725220000](#) [1760336](#) [1855000000](#) [19346](#) [1946309](#) [1973592](#) [19892](#) [25.320.4053.1](#) [25.320.4553.9](#)
[25.320.4753.1](#) [25.320.5453.1](#) [25.340.0353.1](#) [25.340.1053.1](#) [25.345.3553.0M001](#) [25.640.3553.1](#) [SH02-5,08](#) [SH06-3,81](#) [SH08-5,08](#) [SH08-](#)
[5,08-K](#) [SH12-5,08](#) [SHS04-5,00](#) [30.303](#) [30.305](#) [30.306](#) [PHP09-5,08](#) [25.193.0453.0](#) [25.320.4653.1](#) [25.332.2453.1](#)