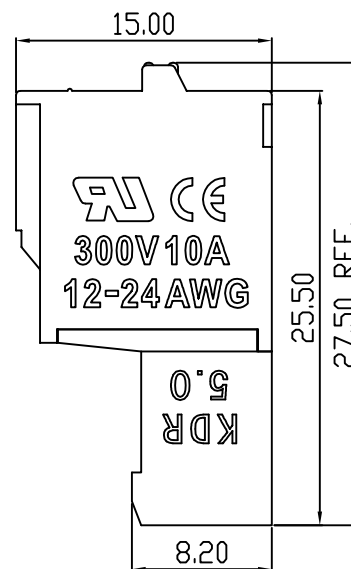
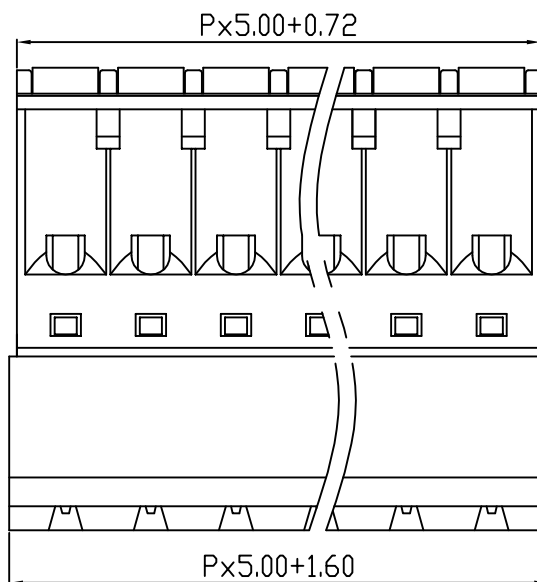
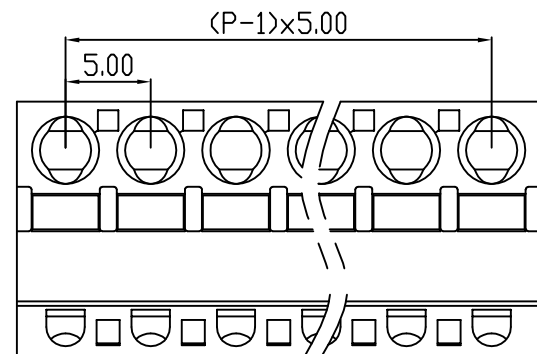
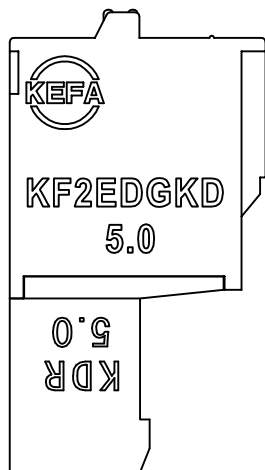


linear dimension(Tolerances Standard GB/T 14486-2008)



variable range	to 6	over 6 to 10	over 10 to 30	over 30 to 60	over 60 to 100	over 100 to 160	over 160 to	to 10	over 10 to 100	over 100 to
tolerance	±0.20	±0.30	±0.50	±0.70	±1.00	±1.30	±1.60	0.10	0.30	0.60

REVISION RECORD				
REV.	DESCRIPTION	ECN No.	APPROVED	DATE
A	新发行		CLF	22.03.05



UL/CUL 技术参数 UL/CUL Technical Data							
等级	Use Group		B	C	D		
额定电压	Rated Voltage [V]		300	-	300		
额定电流	Rated Current [A]		10	-	10		
接线范围	Wire Range					24-12	
单/多芯线	Solid/Stranded [AWG]						
耐电压	Withstanding Voltage					1600V/1Min	
IEC 技术参数 IEC Technical Data							
过电压类别	Overvoltage Category		III	III	II		
污染等级	Contamination Class		3	2	2		
额定电压	Rated Voltage [V]		-	320	630		
额定电流	Rated Current [A]		-	15	15		
额定冲击电压	Impulse withstand voltagea [KV]		-	4.0	4.0		
导线截面积	Conductor cross section					2.5	
硬质/柔性导线	Solid/flexible [mm²]						
材料					Material		
绝缘材料	Insulation Material					PA66	
阻燃等级	Imflammability					UL94V-0	
导体材料	Contacting Material					铜合金 Copper alloy	
导体表面镀层	Contactive Coating					镀镍 Ni Plated	
一般参数					Other Data		
间距	Pitch [mm]					5.0	
极数	Poles [P]					2-24	
剥线长度	Stripping Length [mm]					10-11	
螺丝	Screw/扭矩 Torque(Max) [N.m]					-	
工作温度	Operating temperatur [°C]					-40~+105	
引针尺寸	Pin Dimensions [mm]					-	
PCB板孔径	PCB Hole Diameter [mm]					-	

DES.	LQQ	DATE	22.03.05
CHK.	BY	DATE	22.03.05
APP.	CLF	DATE	22.03.05

单位 / UNITS mm 尺寸 / SIZE A4 比例 / SCALE 1:1
 慈溪市科发电子有限公司
 CIXI KEFA ELECTRONIC CO., LTD

第三视角 / THIRD ANGLE PROJECTION

 名称 / TITLE
KF2EDGKDR-5.0

版本 / REV A

X-ON Electronics

Largest Supplier of Electrical and Electronic Components

Click to view similar products for [Pluggable Terminal Blocks](#) category:

Click to view products by [Cixi Kefa](#) manufacturer:

Other Similar products are found below :

[57.510.0053](#) [721-104/026-047](#) [721-204/026-045](#) [MC 1.5/ 6-ST-3.5 GY AU](#) [ET02015000J0G](#) [860505](#) [860516](#) [860810](#) [GBPACX-12](#)
[93.731.4953.0](#) [PVP03-3,50](#) [PVS02-5,00](#) [1-1986160-3](#) [1377680000](#) [1531000000](#) [1546228-5](#) [ELFP03110](#) [ELFP10210](#) [ELFT07250](#)
[ELVD12100](#) [ELVF09400](#) [ELXH071G0E](#) [1725220000](#) [1760336](#) [1855000000](#) [19346](#) [1946309](#) [1973592](#) [19892](#) [25.320.4053.1](#) [25.320.4553.9](#)
[25.320.4753.1](#) [25.320.5453.1](#) [25.340.0353.1](#) [25.340.1053.1](#) [25.345.3553.0M001](#) [25.640.3553.1](#) [SH02-5,08](#) [SH06-3,81](#) [SH08-5,08](#) [SH08-](#)
[5,08-K](#) [SH12-5,08](#) [SHS04-5,00](#) [30.303](#) [30.305](#) [30.306](#) [PHP09-5,08](#) [25.193.0453.0](#) [25.320.4653.1](#) [25.332.2453.1](#)