

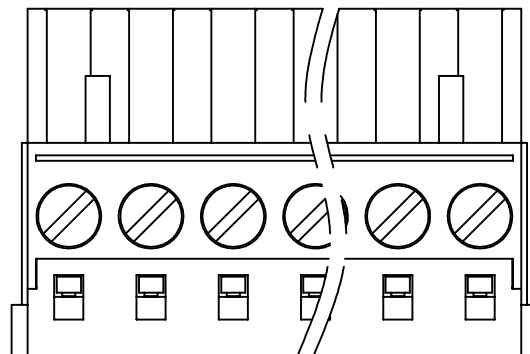
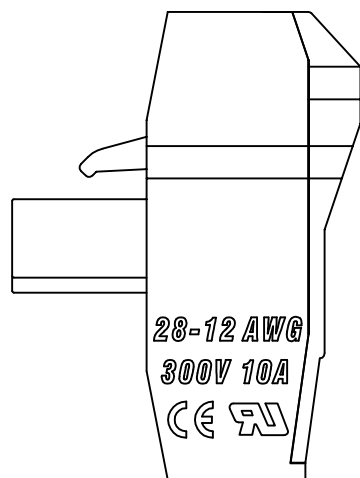
linear dimension(Tolerances Standard GB/T 14486-2008)



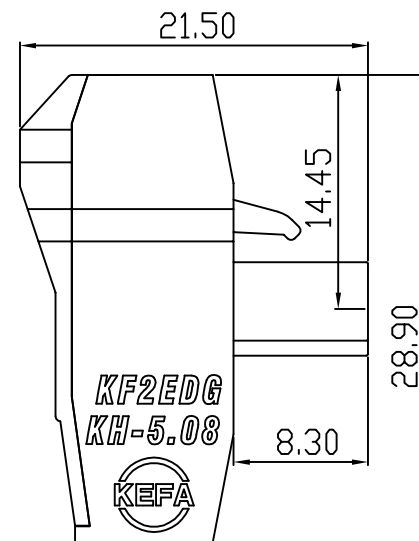
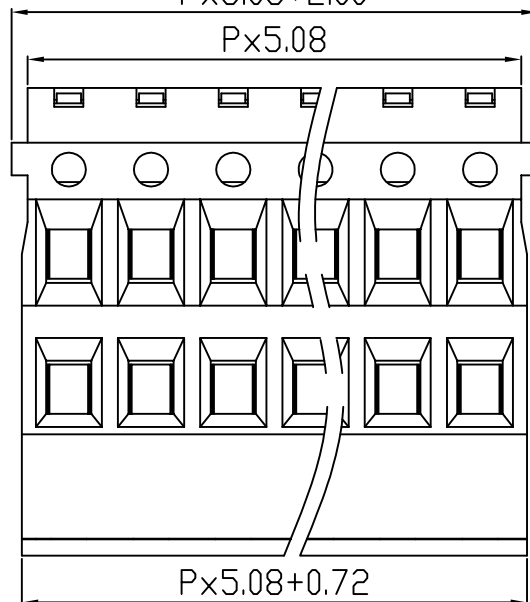
variable range	to 6	over 6	over 10	over 30	over 60	over 100	over 160	to 10	over 10	over 100
		to 10	to 30	to 60	to 100	to 160	to 100		to 100	
tolerance	±0.20	±0.30	±0.50	±0.70	±1.00	±1.30	±1.60	0.10	0.30	0.60

REVISION RECORD

REV.	DESCRIPTION	ECN No.	APPROVED	DATE
A	新发行		CLF	21.03.13



Px5.08+2.00



UL/CUL 技术参数 UL/CUL Technical Data							
等级	Use Group	B	C	D			
额定电压	Rated Voltage [V]	300	-	300			
额定电流	Rated Current [A]	10	-	10			
接线范围	Wire Range				24-12		
单/多芯线	Solid/Stranded [AWG]						
耐电压	Withstanding Voltage				1600V/1Min		
IEC 技术参数 IEC Technical Data							
过电压类别	Overvoltage Category	III	III	II			
污染等级	Contamination Class	3	2	2			
额定电压	Rated Voltage [V]	-	320	630			
额定电流	Rated Current [A]	-	15	15			
额定冲击电压	Impulse withstand voltagea [KV]	-	4.0	4.0			
导线截面积	Conductor cross section				2.5		
硬质/柔性导线	Solid/flexible [mm²]						
材料 Material							
绝缘材料	Insulation Material				PA66		
阻燃等级	Imflammability				UL94V-0		
导体材料	Contacting Material				铜合金 Copper alloy		
导体表面镀层	Contactive Coating				镀镍 Ni plating		
一般参数 Other Data							
间距	Pitch [mm]				5.08		
极数	Poles [P]				2-24		
剥线长度	Stripping Length [mm]				7-8		
螺丝	Screw/扭矩 Torque(Max) [N.m]				M2.5/0.4		
工作温度	Operating temperatur [°C]				-40~+105		
引针尺寸	Pin Dimensions [mm]				-		
PCB板孔径	PCB Hole Diameter [mm]				-		

DES.	FZM	DATE	21.03.13
CHK.	SY	DATE	21.03.13
APP.	CLF	DATE	21.03.13

单位/UNITS	mm	尺寸/SIZE	A4	比例/SCALE	1:1
慈溪市科发电子有限公司 CIXI KEFA ELECTRONIC CO., LTD					

第三视角/THIRD ANGLE PROJECTION		版本/REV	A
		名称/TITLE	KF2EDGKH-5.08

X-ON Electronics

Largest Supplier of Electrical and Electronic Components

Click to view similar products for [Pluggable Terminal Blocks](#) category:

Click to view products by [Cixi Kefa](#) manufacturer:

Other Similar products are found below :

[57.510.0053](#) [721-104/026-047](#) [721-204/026-045](#) [MC 1.5/ 6-ST-3.5 GY AU](#) [ET02015000J0G](#) [860505](#) [860516](#) [860810](#) [GBPACX-12](#)
[93.731.4953.0](#) [PVP03-3,50](#) [PVS02-5,00](#) [1-1986160-3](#) [1377680000](#) [1531000000](#) [1546228-5](#) [ELFP03110](#) [ELFP10210](#) [ELFT07250](#)
[ELVD12100](#) [ELVF09400](#) [ELXH071G0E](#) [1725220000](#) [1760336](#) [1855000000](#) [19346](#) [1946309](#) [1973592](#) [19892](#) [25.320.4053.1](#) [25.320.4553.9](#)
[25.320.4753.1](#) [25.320.5453.1](#) [25.340.0353.1](#) [25.340.1053.1](#) [25.345.3553.0M001](#) [25.640.3553.1](#) [SH02-5,08](#) [SH06-3,81](#) [SH08-5,08](#) [SH08-](#)
[5,08-K](#) [SH12-5,08](#) [SHS04-5,00](#) [30.303](#) [30.305](#) [30.306](#) [PHP09-5,08](#) [25.193.0453.0](#) [25.320.4653.1](#) [25.332.2453.1](#)