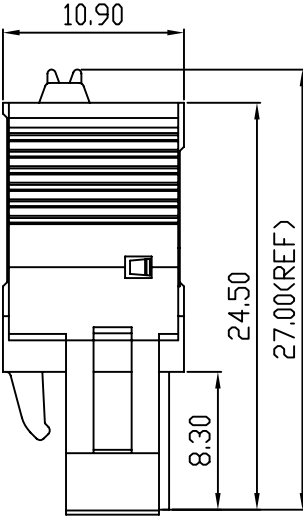
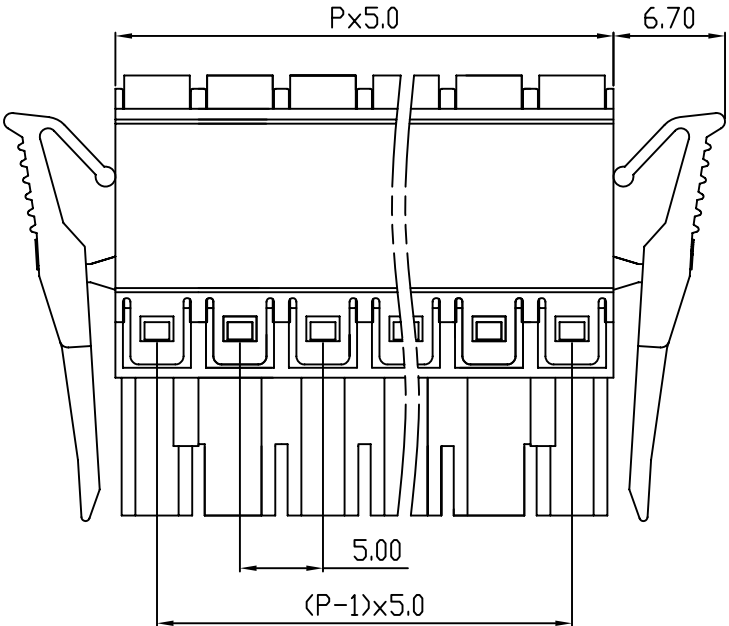
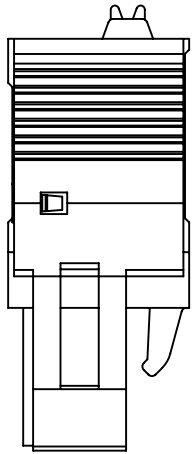
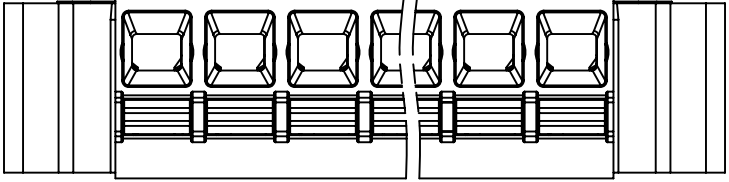


| linear dimension(Tolerances Standard GB/T 14486-2008) |       |        |         |         |         |          | — ▯ ⊥    |       |         |          |
|---|-------|--------|---------|---------|---------|----------|----------|-------|---------|----------|
| variable range  | to 6  | over 6 | over 10 | over 30 | over 60 | over 100 | over 160 | to 10 | over 10 | over 100 |
|   |       | to 10  | to 30   | to 60   | to 100  | to 160   | to 100   |       | to 100  |          |
| tolerance   | ±0.20 | ±0.30  | ±0.50   | ±0.70   | ±1.00   | ±1.30    | ±1.60    | 0.10  | 0.30    | 0.60     |

| REVISION RECORD |             |         |          |          |
|-----------------|-------------|---------|----------|----------|
| REV.            | DESCRIPTION | ECN No. | APPROVED | DATE     |
| A               | 新发行         |         | CLF      | 21.03.15 |
|                 |             |         |          |          |
|                 |             |         |          |          |



|                                      |   |     |     |     |  |                  |
|--------------------------------------|---|-----|-----|-----|--|------------------|
| UL/CUL 技术参数<br>UL/CUL Technical Data |   |     |     |     |  |                  |
| 等级                                   | Use Group                                   | B   | C   | D   |  |                  |
| 额定电压                                 | Rated Voltage [V]                           | 300 | -   | 300 |  |                  |
| 额定电流                                 | Rated Current [A]                           | 10  | -   | 10  |  |                  |
| 接线范围                                 | Wire Range                                  |     |     |     |  | 24-12            |
| 单/多芯线                                | Solid/Stranded [AWG]                        |     |     |     |  |                  |
| 耐电压                                  | Withstanding Voltage                        |     |     |     |  | 1600V/1Min       |
| IEC 技术参数<br>IEC Technical Data       |   |     |     |     |  |                  |
| 过电压类别                                | Overvoltage Category                        | III | III | II  |  |                  |
| 污染等级                                 | Contamination Class                         | 3   | 2   | 2   |  |                  |
| 额定电压                                 | Rated Voltage [V]                           | -   | 320 | 630 |  |                  |
| 额定电流                                 | Rated Current [A]                           | -   | 15  | 15  |  |                  |
| 额定冲击电压                               | Impulse withstand voltage <sup>a</sup> [KV] | -   | 4.0 | 4.0 |  |                  |
| 导线截面积                                | Conductor cross section                     |     |     |     |  | 2.5              |
| 硬质/柔性导线                              | Solid/ flexible [mm <sup>2</sup> ]          |     |     |     |  |                  |
| 材料 Material                          |   |     |     |     |  |                  |
| 绝缘材料                                 | Insulation Material                         |     |     |     |  | PA66             |
| 阻燃等级                                 | Imflamability                               |     |     |     |  | UL94V-0          |
| 导体材料                                 | Contactive Material                         |     |     |     |  | 铜合金 Copper alloy |
| 导体表面镀层                               | Contactive Coating                          |     |     |     |  | 镀镍 Ni plated     |
| 一般参数 Other Data                      |   |     |     |     |  |                  |
| 间距                                   | Pitch [mm]                                  |     |     |     |  | 5.0              |
| 极数                                   | Poles [P]                                   |     |     |     |  | 2-24             |
| 剥线长度                                 | Stripping Length [mm]                       |     |     |     |  | 10-11            |
| 螺丝                                   | Screw/扭矩 Torque(Max) [N.m]                  |     |     |     |  | -                |
| 工作温度                                 | Operating temperatur [°C]                   |     |     |     |  | -40~+105         |
| 引针尺寸                                 | Pin Dimensions [mm]                         |     |     |     |  | -                |
| PCB板孔径                               | PCB Hole Diameter [mm]                      |     |     |     |  | -                |

|      |     |      |          |
|------|-----|------|----------|
| DES. | FZM | DATE | 21.03.15 |
| CHK. | SY  | DATE | 21.03.15 |
| APP. | CLF | DATE | 21.03.15 |

单位 / UNITS mm 尺寸 / SIZE A4 比例 / SCALE 1:1

慈溪市科发电子有限公司  
CIXI KEFA ELECTRONIC CO., LTD

第三视角 / THIRD ANGLE PROJECTION

名称 / TITLE **KF2EDGKNG-5.0**

版本 / REV A

## X-ON Electronics

Largest Supplier of Electrical and Electronic Components

*Click to view similar products for [Pluggable Terminal Blocks](#) category:*

*Click to view products by [Cixi Kefa](#) manufacturer:*

Other Similar products are found below :

[57.510.0053](#) [721-104/026-047](#) [721-204/026-045](#) [MC 1.5/ 6-ST-3.5 GY AU](#) [ET02015000J0G](#) [860505](#) [860516](#) [860810](#) [GBPACX-12](#)  
[93.731.4953.0](#) [PVP03-3,50](#) [PVS02-5,00](#) [1-1986160-3](#) [1377680000](#) [1531000000](#) [1546228-5](#) [ELFP03110](#) [ELFP10210](#) [ELFT07250](#)  
[ELVD12100](#) [ELVF09400](#) [ELXH071G0E](#) [1725220000](#) [1760336](#) [1855000000](#) [19346](#) [1946309](#) [1973592](#) [19892](#) [25.320.4053.1](#) [25.320.4553.9](#)  
[25.320.4753.1](#) [25.320.5453.1](#) [25.340.0353.1](#) [25.340.1053.1](#) [25.345.3553.0M001](#) [25.640.3553.1](#) [SH02-5,08](#) [SH06-3,81](#) [SH08-5,08](#) [SH08-](#)  
[5,08-K](#) [SH12-5,08](#) [SHS04-5,00](#) [30.303](#) [30.305](#) [30.306](#) [PHP09-5,08](#) [25.193.0453.0](#) [25.320.4653.1](#) [25.332.2453.1](#)