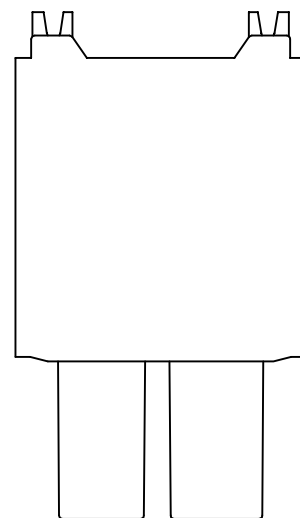
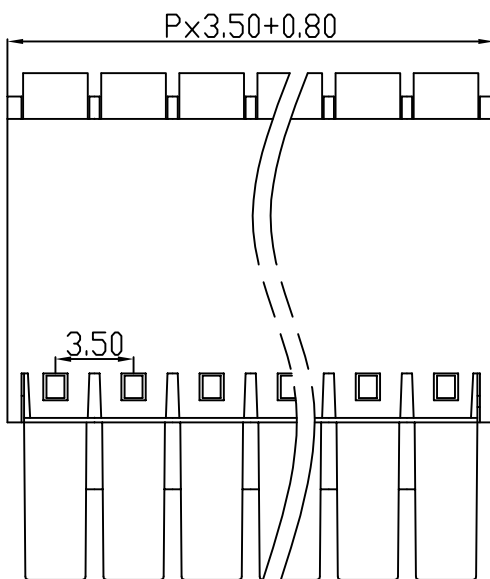
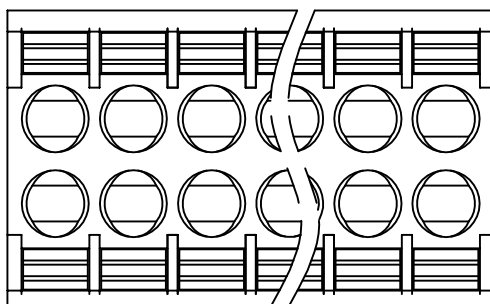
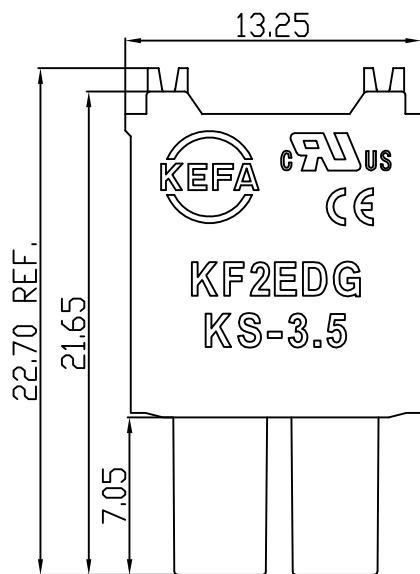


linear dimension(Tolerances Standard GB/T 14486-2008)								—		
variable range	to 6	over 6 to 10	over 10 to 30	over 30 to 60	over 60 to 100	over 100 to 160	over 160 to	to 10	over 10 to 100	over 100 to
tolerance	±0.20	±0.30	±0.50	±0.70	±1.00	±1.30	±1.60	0.10	0.30	0.60

REVISION RECORD				
REV.	DESCRIPTION	ECN No.	APPROVED	DATE
A	新发行		CLF	22.04.12



UL/CUL 技术参数 UL/CUL Technical Data						
等级	Use Group		B	C	D	
额定电压	Rated Voltage [V]		300	-	300	
额定电流	Rated Current [A]		8	-	10	
接线范围	Wire Range		28-16			
单/多芯线	Solid/Stranded [AWG]					
耐电压	Withstanding Voltage		1600V/1Min			
IEC 技术参数 IEC Technical Data						
过电压类别	Overvoltage Category		III	III	II	
污染等级	Contamination Class		3	2	2	
额定电压	Rated Voltage [V]		-	160	320	
额定电流	Rated Current [A]		-	7	7	
额定冲击电压	Impulse withstand voltagea [KV]		-	2.5	2.5	
导线截面积	Conductor cross section		1.5			
硬质/柔性导线	Solid/flexible [mm <sup>2</sup> ]					
材料				Material		
绝缘材料	Insulation Material		PA66			
阻燃等级	Imflammability		UL94V-0			
导体材料	Contacting Material		铜合金 Copper alloy			
导体表面镀层	Contactive Coating		镀镍 Ni Plated			
一般参数				Other Data		
间距	Pitch [mm]		3.5			
极数	Poles [P]		2-24			
剥线长度	Stripping Length [mm]		8-9			
螺丝	Screw/扭矩 Torque(Max) [N.m]		-			
工作温度	Operating temperatur [°C]		-40~+105			
引针尺寸	Pin Dimensions [mm]		-			
PCB板孔径	PCB Hole Diameter [mm]		-			

DES.	LQQ	DATE	22.04.12
CHK.	BY	DATE	22.04.12
APP.	CLF	DATE	22.04.12

单位 / UNITS	mm	尺寸 / SIZE	A4	比例 / SCALE	1:1	第三视角 / THIRD ANGLE PROJECTION	版本 / REV	A
慈溪市科发电子有限公司 CIXI KEFA ELECTRONIC CO., LTD						名称 / TITLE	KF2EDGKS-3.5	

## X-ON Electronics

Largest Supplier of Electrical and Electronic Components

*Click to view similar products for [Pluggable Terminal Blocks](#) category:*

*Click to view products by [Cixi Kefa](#) manufacturer:*

Other Similar products are found below :

[57.510.0053](#) [721-104/026-047](#) [721-204/026-045](#) [MC 1.5/ 6-ST-3.5 GY AU](#) [ET02015000J0G](#) [860505](#) [860516](#) [860810](#) [GBPACX-12](#)  
[93.731.4953.0](#) [PVP03-3,50](#) [PVS02-5,00](#) [1-1986160-3](#) [1377680000](#) [1531000000](#) [1546228-5](#) [ELFP03110](#) [ELFP10210](#) [ELFT07250](#)  
[ELVD12100](#) [ELVF09400](#) [ELXH071G0E](#) [1725220000](#) [1760336](#) [1855000000](#) [19346](#) [1946309](#) [1973592](#) [19892](#) [25.320.4053.1](#) [25.320.4553.9](#)  
[25.320.4753.1](#) [25.320.5453.1](#) [25.340.0353.1](#) [25.340.1053.1](#) [25.345.3553.0M001](#) [25.640.3553.1](#) [SH02-5,08](#) [SH06-3,81](#) [SH08-5,08](#) [SH08-](#)  
[5,08-K](#) [SH12-5,08](#) [SHS04-5,00](#) [30.303](#) [30.305](#) [30.306](#) [PHP09-5,08](#) [25.193.0453.0](#) [25.320.4653.1](#) [25.332.2453.1](#)