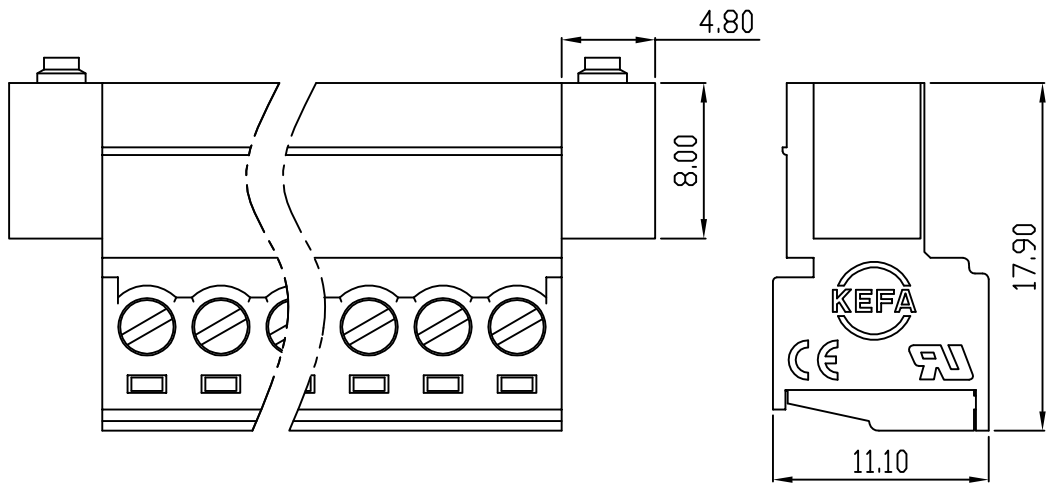
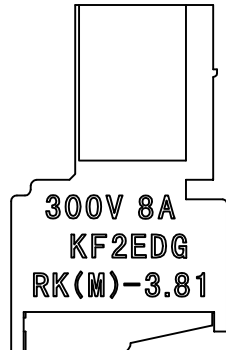
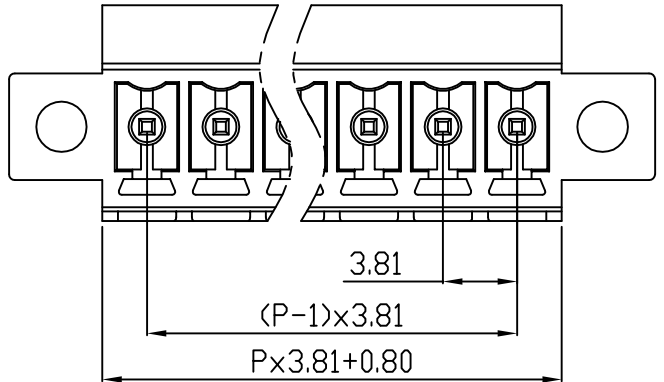


| linear dimension(Tolerances Standard GB/T 14486-2008) |       |              |               |               |                |                 |             | — ▯ ⊥ |                |             |
|---|-------|--------------|---------------|---------------|----------------|-----------------|-------------|-------|----------------|-------------|
| variable range  | to 6  | over 6 to 10 | over 10 to 30 | over 30 to 60 | over 60 to 100 | over 100 to 160 | over 160 to | to 10 | over 10 to 100 | over 100 to |
| tolerance   | ±0.20 | ±0.30        | ±0.50         | ±0.70         | ±1.00          | ±1.30           | ±1.60       | 0.10  | 0.30           | 0.60        |

| REVISION RECORD |             |         |          |          |
|-----------------|-------------|---------|----------|----------|
| REV.            | DESCRIPTION | ECN No. | APPROVED | DATE     |
| A               | 新发行         |         | CLF      | 21.03.13 |
|                 |             |         |          |          |
|                 |             |         |          |          |



| UL/CUL 技术参数<br>UL/CUL Technical Data               |                  |     |     |
|--|------------------|-----|-----|
| 等级 Use Group                                       | B                | C   | D   |
| 额定电压 Rated Voltage [V]                             | 300              | -   | 300 |
| 额定电流 Rated Current [A]                             | 8                | -   | 10  |
| 接线范围 Wire Range                                    | 28-16            |     |     |
| 单/多芯线 Solid/Stranded [AWG]                         | 28-16            |     |     |
| 耐电压 Withstanding Voltage                           | 1600V/1Min       |     |     |
| IEC 技术参数<br>IEC Technical Data                     |                  |     |     |
| 过电压类别 Overvoltage Category                         | III              | III | II  |
| 污染等级 Contamination Class                           | -                | 2   | 2   |
| 额定电压 Rated Voltage [V]                             | -                | 160 | 320 |
| 额定电流 Rated Current [A]                             | -                | 7   | 7   |
| 额定冲击电压 Impulse withstand voltage <sup>a</sup> [KV] | -                | 2.5 | 2.5 |
| 导线截面积 Conductor cross section                      | 1.5              |     |     |
| 硬质/柔性导线 Solid/flexible [mm <sup>2</sup> ]          | 1.5              |     |     |
| 材料 Material  |                  |     |     |
| 绝缘材料 Insulation Material                           | PA66             |     |     |
| 阻燃等级 Imflammability                                | UL94V-0          |     |     |
| 导体材料 Contactor Material                            | 铜合金 Copper alloy |     |     |
| 导体表面镀层 Contactive Coating                          | 镀锡 Tin Plated    |     |     |
| 一般参数 Other Data                                    |                  |     |     |
| 间距 Pitch [mm]                                      | 3.81             |     |     |
| 极数 Poles [P]                                       | 2-24             |     |     |
| 剥线长度 Stripping Length [mm]                         | 7-8              |     |     |
| 螺丝 Screw/扭矩 Torque(Max) [N.m]                      | M2/0.2           |     |     |
| 工作温度 Operating temperatur [°C]                     | -40~+105         |     |     |
| 引针尺寸 Pin Dimensions [mm]                           | -                |     |     |
| PCB板孔径 PCB Hole Diameter [mm]                      | -                |     |     |

|      |     |      |          |  |    |         |    |          |                |                             |        |   |
|------|-----|------|----------|--|----|---------|----|----------|----------------|-----------------------------|--------|---|
| DES. | GYF | DATE | 21.03.13 | 单位/UNITS                                     | mm | 尺寸/SIZE | A4 | 比例/SCALE | 1:1            | 第三视角/THIRD ANGLE PROJECTION | 版本/REV | A |
| CHK. | SY  | DATE | 21.03.13 | 慈溪市科发电子有限公司<br>CIXI KEFA ELECTRONIC CO., LTD |    |         |    | 名称/TITLE | KF2EDGRKM-3.81 |                             |        |   |
| APP. | CLF | DATE | 21.03.13 |  |    |         |    |          |                |                             |        |   |

## X-ON Electronics

Largest Supplier of Electrical and Electronic Components

*Click to view similar products for [Pluggable Terminal Blocks](#) category:*

*Click to view products by [Cixi Kefa](#) manufacturer:*

Other Similar products are found below :

[57.510.0053](#) [721-104/026-047](#) [721-204/026-045](#) [MC 1.5/ 6-ST-3.5 GY AU](#) [ET02015000J0G](#) [860505](#) [860516](#) [860810](#) [GBPACX-12](#)  
[93.731.4953.0](#) [PVP03-3,50](#) [PVS02-5,00](#) [1-1986160-3](#) [1377680000](#) [1531000000](#) [1546228-5](#) [ELFP03110](#) [ELFP10210](#) [ELFT07250](#)  
[ELVD12100](#) [ELVF09400](#) [ELXH071G0E](#) [1725220000](#) [1760336](#) [1855000000](#) [19346](#) [1946309](#) [1973592](#) [19892](#) [25.320.4053.1](#) [25.320.4553.9](#)  
[25.320.4753.1](#) [25.320.5453.1](#) [25.340.0353.1](#) [25.340.1053.1](#) [25.345.3553.0M001](#) [25.640.3553.1](#) [SH02-5,08](#) [SH06-3,81](#) [SH08-5,08](#) [SH08-](#)  
[5,08-K](#) [SH12-5,08](#) [SHS04-5,00](#) [30.303](#) [30.305](#) [30.306](#) [PHP09-5,08](#) [25.193.0453.0](#) [25.320.4653.1](#) [25.332.2453.1](#)