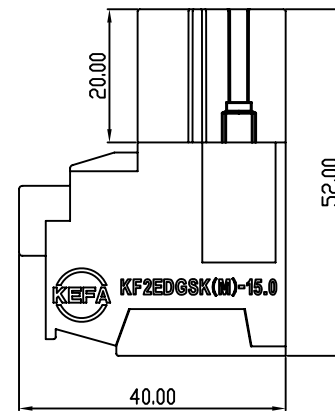
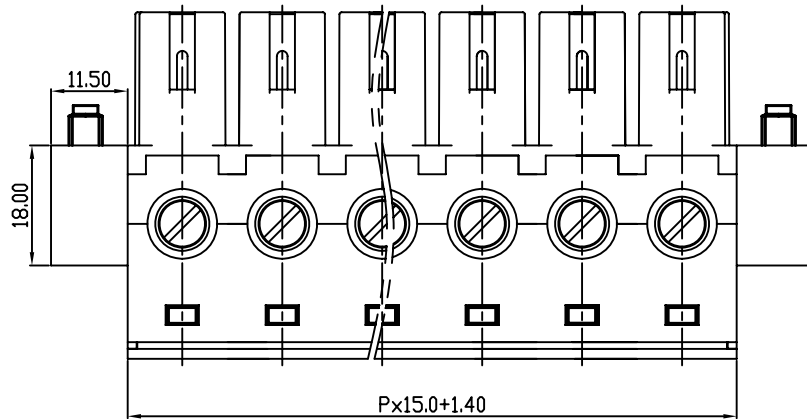
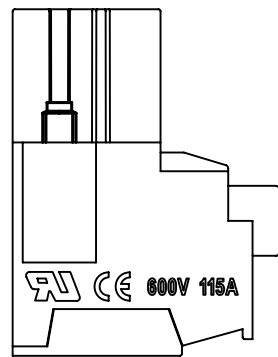
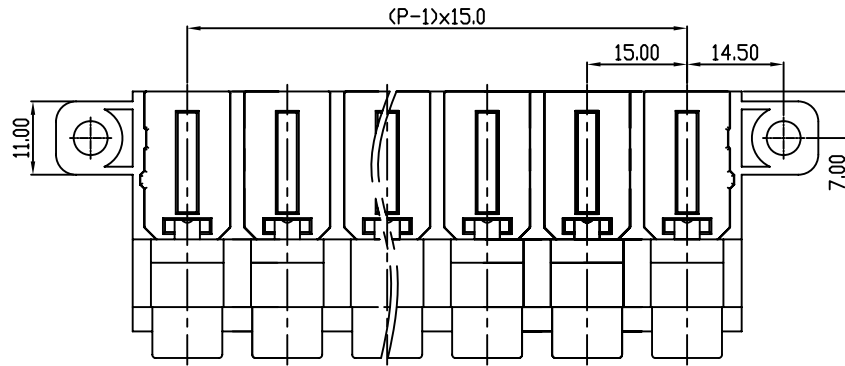


| linear dimension(Tolerances Standard GB/T 14486-2008) | | | | | | | — ▯ ⊥ | | | |
|---|-------|---------|----------|----------|-----------|------------|-------|-----------|--------|------|
| variable range | to | over | over | over | over | over | to | over | over | |
| | 6 | 6 to 10 | 10 to 30 | 30 to 60 | 60 to 100 | 100 to 160 | | 10 to 100 | 100 to | |
| tolerance | ±0.20 | ±0.30 | ±0.50 | ±0.70 | ±1.00 | ±1.30 | ±1.60 | 0.10 | 0.30 | 0.60 |

| REVISION RECORD | | | | |
|-----------------|-------------|---------|----------|----------|
| REV. | DESCRIPTION | ECN No. | APPROVED | DATE |
| A | 新发行 | | CLF | 21.03.15 |
| | | | | |
| | | | | |



| UL/CUL 技术参数 | | | |
|--|------------------|------|------|
| UL/CUL Technical Data | | | |
| 等级 Use Group | B | C | D |
| 额定电压 Rated Voltage [V] | 600 | 600 | 600 |
| 额定电流 Rated Current [A] | 115 | 115 | 5 |
| 接线范围 Wire Range | 20-2 | | |
| 单/多芯线 Solid/Stranded [AWG] | 20-2 | | |
| 耐电压 Withstanding Voltage | 2200V/1Min | | |
| IEC 技术参数 | | | |
| IEC Technical Data | | | |
| 过电压类别 Overvoltage Category | III | III | II |
| 污染等级 Contamination Class | - | 2 | 2 |
| 额定电压 Rated Voltage [V] | - | 1000 | 1000 |
| 额定电流 Rated Current [A] | - | 125 | 125 |
| 额定冲击电压 Impulse withstand voltagea [KV] | - | 8.0 | 6.0 |
| 导线截面积 Conductor cross section | 35.0 | | |
| 硬质/柔性导线 Solid/ flexible [mm²] | 35.0 | | |
| 材料 Material | | | |
| 绝缘材料 Insulation Material | PA66 | | |
| 阻燃等级 Imflammability | UL94V-0 | | |
| 导体材料 Contactor Material | 铜合金 Copper alloy | | |
| 导体表面镀层 Contactive Coating | 镀镍 Ni plated | | |
| 一般参数 Other Data | | | |
| 间距 Pitch [mm] | 15.0 | | |
| 极数 Poles [P] | 2-10 | | |
| 剥线长度 Stripping Length [mm] | 19-20 | | |
| 螺丝 Screw/扭矩 Torque(Max) [N.m] | M5/2.0 | | |
| 工作温度 Operating temperatur [°C] | -40~+105 | | |
| 引针尺寸 Pin Dimensions [mm] | - | | |
| PCB板孔径 PCB Hole Diameter [mm] | - | | |

| | | | | | | | | | | | | |
|------|-----|------|----------|--|----|-----------|----|------------|----------------|-------------------------------|----------|---|
| DES. | FZM | DATE | 21.03.15 | 单位 / UNITS | mm | 尺寸 / SIZE | A4 | 比例 / SCALE | 1:1 | 第三视角 / THIRD ANGLE PROJECTION | 版本 / REV | A |
| CHK. | SY | DATE | 21.03.15 |  慈溪市科发电子有限公司 CIXI KEFA ELECTRONIC CO., LTD | | | | 名称 / TITLE | KF2EDGSKM-15.0 | | | |
| APP. | CLF | DATE | 21.03.15 | | | | | 名称 / TITLE | KF2EDGSKM-15.0 | | | |

X-ON Electronics

Largest Supplier of Electrical and Electronic Components

Click to view similar products for [Pluggable Terminal Blocks](#) category:

Click to view products by [Cixi Kefa](#) manufacturer:

Other Similar products are found below :

[57.510.0053](#) [721-104/026-047](#) [721-204/026-045](#) [MC 1.5/ 6-ST-3.5 GY AU](#) [ET02015000J0G](#) [860505](#) [860516](#) [860810](#) [GBPACX-12](#)
[93.731.4953.0](#) [PVP03-3,50](#) [PVS02-5,00](#) [1-1986160-3](#) [1377680000](#) [1531000000](#) [1546228-5](#) [ELFP03110](#) [ELFP10210](#) [ELFT07250](#)
[ELVD12100](#) [ELVF09400](#) [ELXH071G0E](#) [1725220000](#) [1760336](#) [1855000000](#) [19346](#) [1946309](#) [1973592](#) [19892](#) [25.320.4053.1](#) [25.320.4553.9](#)
[25.320.4753.1](#) [25.320.5453.1](#) [25.340.0353.1](#) [25.340.1053.1](#) [25.345.3553.0M001](#) [25.640.3553.1](#) [SH02-5,08](#) [SH06-3,81](#) [SH08-5,08](#) [SH08-](#)
[5,08-K](#) [SH12-5,08](#) [SHS04-5,00](#) [30.303](#) [30.305](#) [30.306](#) [PHP09-5,08](#) [25.193.0453.0](#) [25.320.4653.1](#) [25.332.2453.1](#)