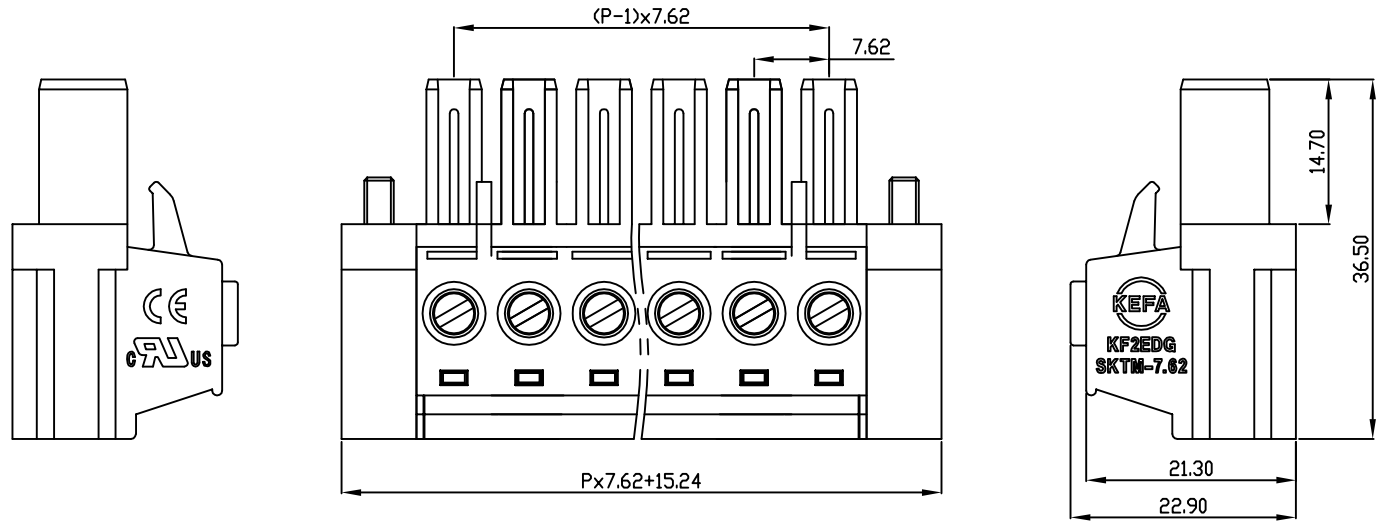
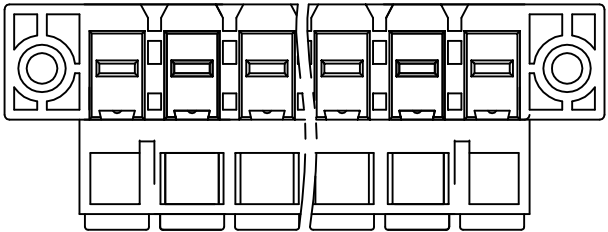


linear dimension(Tolerances Standard GB/T 14486-2008)								—		
variable range	to 6	over 6 to 10	over 10 to 30	over 30 to 60	over 60 to 100	over 100 to 160	over 160 to	to 10	over 10 to 100	over 100 to
tolerance	±0.20	±0.30	±0.50	±0.70	±1.00	±1.30	±1.60	0.10	0.30	0.60



REVISION RECORD				
REV.	DESCRIPTION	ECN No.	APPROVED	DATE
A	新发行		GLF	21.03.15

UL/CUL 技术参数 UL/CUL Technical Data			
等级 Use Group		B	C D
额定电压 Rated Voltage [V]		600	600 600
额定电流 Rated Current [A]		41	41 5
接线范围 Wire Range		24-8	
单/多芯线 Solid/Stranded [AWG]			
耐电压 Withstanding Voltage		2200V/1Min	
IEC 技术参数 IEC Technical Data			
过电压类别 Overvoltage Category		III	III II
污染等级 Contamination Class		-	2 2
额定电压 Rated Voltage [V]		-	1000 1000
额定电流 Rated Current [A]		-	41 41
额定冲击电压 Impulse withstand voltage ^a [KV]		-	8.0 6.0
导线截面积 Conductor cross section		6.0	
硬质/柔性导线 Solid/flexible [mm ²]			
材料 Material			
绝缘材料 Insulation Material		PA66	
阻燃等级 Imflammability		UL94V-0	
导体材料 Contactor Material		铜合金 Copper alloy	
导体表面镀层 Contactive Coating		镀镍 Ni plated	
一般参数 Other Data			
间距 Pitch [mm]		7.62	
极数 Poles [P]		2-16	
剥线长度 Stripping Length [mm]		7-8	
螺丝 Screw/扭矩 Torque(Max) [N.m]		M3/0.5	
工作温度 Operating temperatur [°C]		-40~+105	
引针尺寸 Pin Dimensions [mm]		-	
PCB板孔径 PCB Hole Diameter [mm]		-	

DES.	FZM	DATE	21.03.15	单位/UNITS	mm	尺寸/SIZE	A4	比例/SCALE	1:1	第三视角/THIRD ANGLE PROJECTION	版本/REV	A
CHK.	SY	DATE	21.03.15	慈溪市科发电子有限公司 CIXI KEFA ELECTRONIC CO., LTD				名称/TITLE	KF2EDGSKTM-7.62			
APP.	CLF	DATE	21.03.15					名称/TITLE	KF2EDGSKTM-7.62			

X-ON Electronics

Largest Supplier of Electrical and Electronic Components

Click to view similar products for [Pluggable Terminal Blocks](#) category:

Click to view products by [Cixi Kefa](#) manufacturer:

Other Similar products are found below :

[57.510.0053](#) [721-104/026-047](#) [721-204/026-045](#) [MC 1.5/ 6-ST-3.5 GY AU](#) [ET02015000J0G](#) [860505](#) [860516](#) [860810](#) [GBPACX-12](#)
[93.731.4953.0](#) [PVP03-3,50](#) [PVS02-5,00](#) [1-1986160-3](#) [1377680000](#) [1531000000](#) [1546228-5](#) [ELFP03110](#) [ELFP10210](#) [ELFT07250](#)
[ELVD12100](#) [ELVF09400](#) [ELXH071G0E](#) [1725220000](#) [1760336](#) [1855000000](#) [19346](#) [1946309](#) [1973592](#) [19892](#) [25.320.4053.1](#) [25.320.4553.9](#)
[25.320.4753.1](#) [25.320.5453.1](#) [25.340.0353.1](#) [25.340.1053.1](#) [25.345.3553.0M001](#) [25.640.3553.1](#) [SH02-5,08](#) [SH06-3,81](#) [SH08-5,08](#) [SH08-](#)
[5,08-K](#) [SH12-5,08](#) [SHS04-5,00](#) [30.303](#) [30.305](#) [30.306](#) [PHP09-5,08](#) [25.193.0453.0](#) [25.320.4653.1](#) [25.332.2453.1](#)