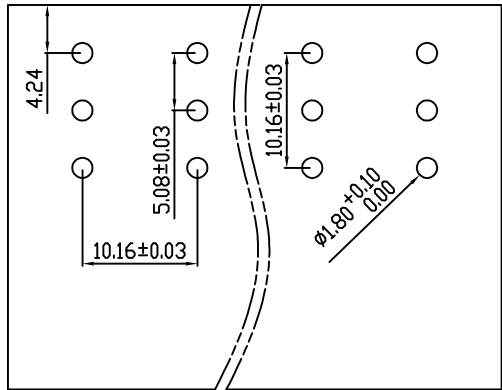
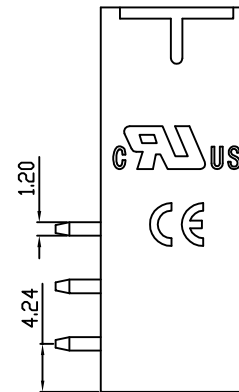
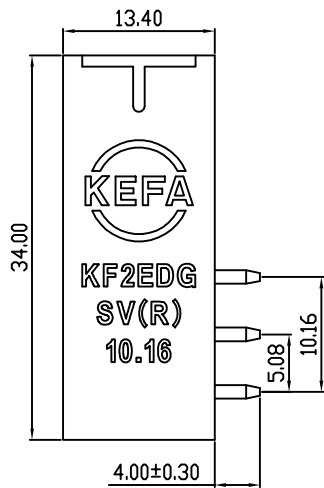
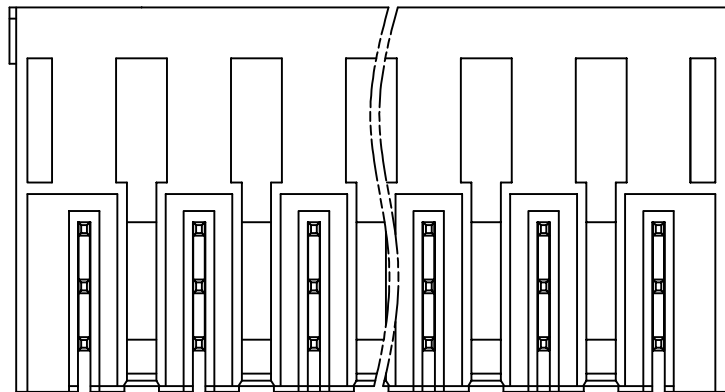
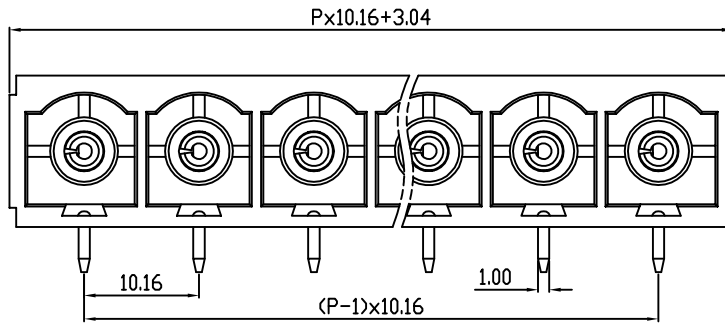


| linear dimension(Tolerances Standard GB/T 14486-2008) | | | | | | | | — | | |
|---|-------|--------------|---------------|---------------|----------------|-----------------|-------------|-------|----------------|-------------|
| variable range | to 6 | over 6 to 10 | over 10 to 30 | over 30 to 60 | over 60 to 100 | over 100 to 160 | over 160 to | to 10 | over 10 to 100 | over 100 to |
| tolerance | ±0.20 | ±0.30 | ±0.50 | ±0.70 | ±1.00 | ±1.30 | ±1.60 | 0.10 | 0.30 | 0.60 |



PCB Layout



| REVISION RECORD | | | | |
|-----------------|-------------|---------|----------|----------|
| REV. | DESCRIPTION | ECN No. | APPROVED | DATE |
| A | 新发行 | | GLF | 22.02.19 |
| | | | | |
| | | | | |

| UL/CUL 技术参数 | | | | |
|-----------------------|-----------------------------------|------------------|------|------|
| UL/CUL Technical Data | | | | |
| 等级 | Use Group | B | C | D |
| 额定电压 | Rated Voltage [V] | 600 | 600 | 600 |
| 额定电流 | Rated Current [A] | 65 | 65 | 5 |
| 接线范围 | Wire Range | - | | |
| 单/多芯线 | Solid/Stranded [AWG] | - | | |
| 耐电压 | Withstanding Voltage | 2200V/1Min | | |
| IEC 技术参数 | | | | |
| IEC Technical Data | | | | |
| 过电压类别 | Overvoltage Category | III | III | II |
| 污染等级 | Contamination Class | 2 | 2 | 2 |
| 额定电压 | Rated Voltage [V] | 1000 | 1000 | 1000 |
| 额定电流 | Rated Current [A] | 57 | 57 | 57 |
| 额定冲击电压 | Impulse withstand voltagea [KV] | 8.0 | 8.0 | 6.0 |
| 导线截面积 | Conductor cross section | - | | |
| 硬质/柔性导线 | Solid/flexible [mm ²] | - | | |
| 材料 | | Material | | |
| 绝缘材料 | Insulation Material | PA66 | | |
| 阻燃等级 | Imflammability | UL94V-0 | | |
| 导体材料 | Contact Material | 铜合金 Copper alloy | | |
| 导体表面镀层 | Contactive Coating | 镀金 Gold plated | | |
| 一般参数 | | Other Data | | |
| 间距 | Pitch [mm] | 10.16 | | |
| 极数 | Poles [P] | 2-12 | | |
| 剥线长度 | Stripping Length [mm] | - | | |
| 螺丝 | Screw/扭矩 Torque(Max) [N.m] | - | | |
| 工作温度 | Operating temperatur [°C] | -40~+105 | | |
| 引针尺寸 | Pin Dimensions [mm] | 4.0 | | |
| PCB板孔径 | PCB Hole Diameter [mm] | 1.8 | | |

| | | | | | | | | | | | | |
|------|-----|------|----------|--|----|---------|----|----------|-----------------|-----------------------------|--------|---|
| DES. | SJD | DATE | 22.02.19 | 单位/UNITS | mm | 尺寸/SIZE | A4 | 比例/SCALE | 1:1 | 第三视角/THIRD ANGLE PROJECTION | 版本/REV | A |
| CHK. | BY | DATE | 22.02.19 | 慈溪市科发电子有限公司 CIXI KEFA ELECTRONIC CO., LTD | | | | 名称/TITLE | KF2EDGSRB-10.16 | | | |
| APP. | CLF | DATE | 22.02.19 | | | | | | | | | |

X-ON Electronics

Largest Supplier of Electrical and Electronic Components

Click to view similar products for [Pluggable Terminal Blocks](#) category:

Click to view products by [Cixi Kefa](#) manufacturer:

Other Similar products are found below :

[57.510.0053](#) [721-104/026-047](#) [721-204/026-045](#) [MC 1.5/ 6-ST-3.5 GY AU](#) [ET02015000J0G](#) [860505](#) [860516](#) [860810](#) [GBPACX-12](#)
[93.731.4953.0](#) [PVP03-3,50](#) [PVS02-5,00](#) [1-1986160-3](#) [1377680000](#) [1531000000](#) [1546228-5](#) [ELFP03110](#) [ELFP10210](#) [ELFT07250](#)
[ELVD12100](#) [ELVF09400](#) [ELXH071G0E](#) [1725220000](#) [1760336](#) [1855000000](#) [19346](#) [1946309](#) [1973592](#) [19892](#) [25.320.4053.1](#) [25.320.4553.9](#)
[25.320.4753.1](#) [25.320.5453.1](#) [25.340.0353.1](#) [25.340.1053.1](#) [25.345.3553.0M001](#) [25.640.3553.1](#) [SH02-5,08](#) [SH06-3,81](#) [SH08-5,08](#) [SH08-](#)
[5,08-K](#) [SH12-5,08](#) [SHS04-5,00](#) [30.303](#) [30.305](#) [30.306](#) [PHP09-5,08](#) [25.193.0453.0](#) [25.320.4653.1](#) [25.332.2453.1](#)